



NOTE: Parts are no longer available for this tool.

The manual will continue on the next page.

SIoux



TOOLS

Parts List for No. 1357A AIR LUBRICATOR

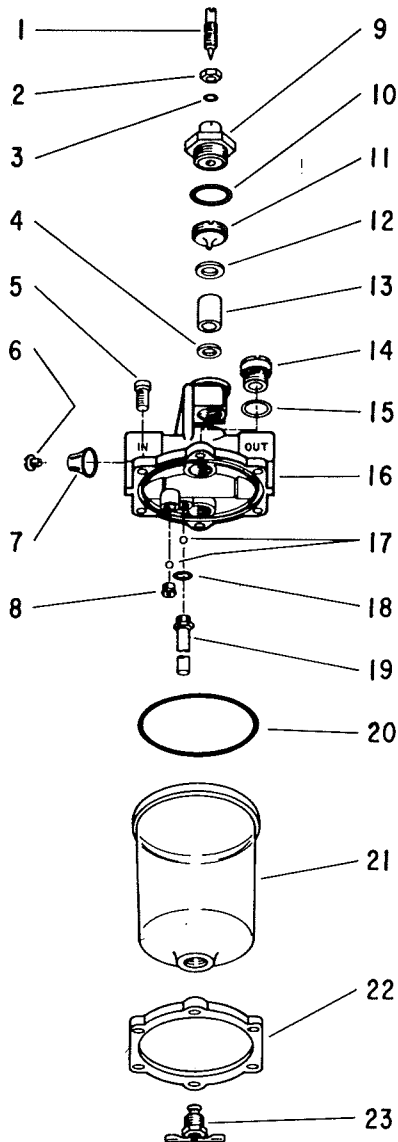


Fig- ure	Part No.	Name
1	00086	Screw—Adjustment
2	09501	Nut
3	00015	Ring—"O"
4	00113	Ring—"O"
5	08142	Screw— $\frac{1}{4}$ " (6)
6	00109	Screw—Flow Guide
7	00110	Guide—Flow
8	00034	Stop—Ball Check
9	00093	Guide—Adjustment Screw
10	14381	Ring—"O"
11	00106	Screw—Oil Feed
12	00112	Gasket—Upper Glass
13	00107	Glass—Sight
14	00043	Plug—Filler (2)
15	00044	Gasket—Filler Plug (2)
16	00114	Body
17	00033	Ball (2)
18	00025	Ring—"O"
19	00178	Tube—Siphon
20	00115	Gasket—Bowl
21	00179	Bowel—Plastic
22	00180	Ring—Clamp
23	00039	Cock—Drain

Furnish Catalog Number When Ordering Parts

SIoux TOOLS INC.
SIoux CITY, IOWA, U.S.A. 51102



Parts List for No. 1357 AIR LUBRICATOR

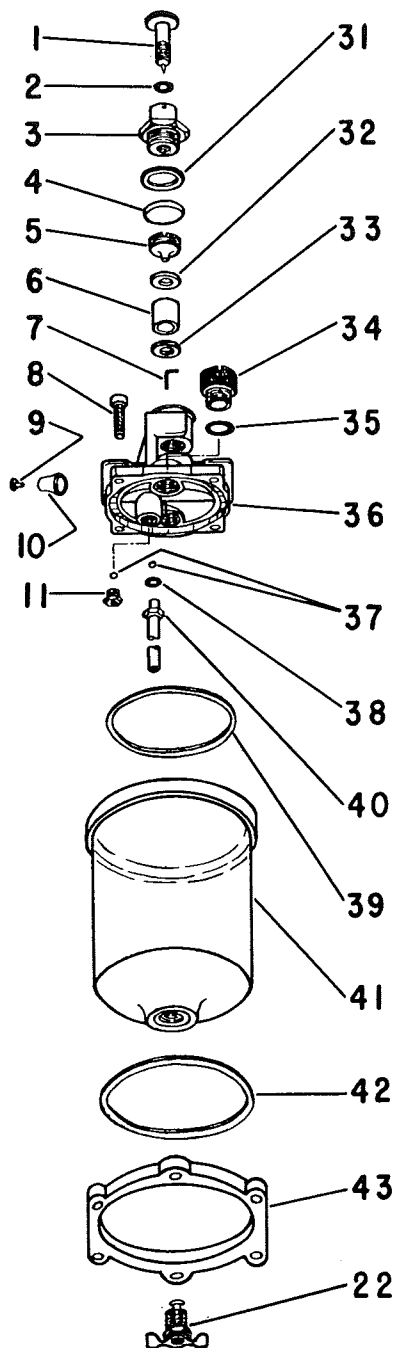


Fig- ure	Part No.	Name
1	00086	Screw—Adjustment
2	00015	Ring—"O"
3	00093	Guide—Adjustment Screw
4	00105	Pad—Felt
5	00106	Screw—Oil Feed
6	00107	Glass—Sight
7	00108	Wire—Drip
8	08139	Screw—1/4" (6)
9	00109	Screw—Flow Guide
10	00110	Guide—Flow
11	00034	Stop—Ball Check
22	00039	Cock—Drain
31	00111	Gasket
32	00112	Gasket—Upper Glass
33	00113	Gasket—Lower Glass
34	00043	Plug—Filler (2)
35	00044	Gasket—Filler Plug (2)
36	00114	Body
37	00033	Ball (2)
38	00025	Ring—"O"
39	00115	Gasket—Sump
40	00047	Assembly—Siphon Tube
41	00116	Bowl
42	00037	Gasket—Pressure
43	00117	Ring—Clamp

Furnish Catalog Number When Ordering Parts

SIoux TOOLS INC.
SIoux CITY, IOWA, U.S.A. 51102

This pdf incorporates the following model numbers:

1357, 1357A