



NOTE: Parts are no longer available for this tool.

The manual will continue on the next page.

Parts List for No. 272 SIOUX SLUGGER

(SERIAL NO'S. STARTING WITH "C" and "D")

Furnish Catalog and Serial Number When Ordering Parts

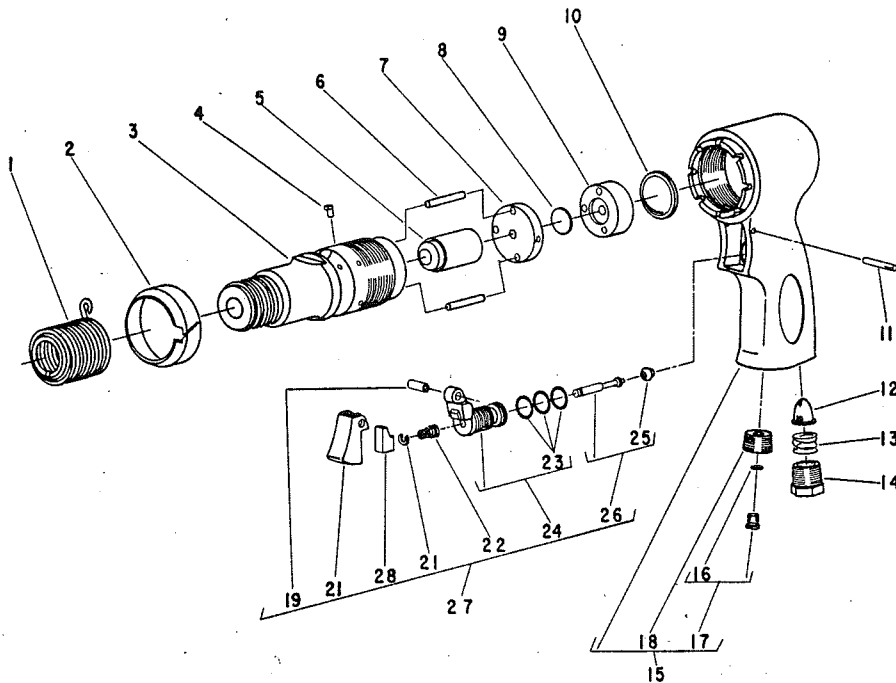


Fig- ure	Part No.	Name
1	2207	Spring
2	35188	Deflector—Exhaust
3	54010	Barrel
4	30391	Pin—Barrel Lock
5	44731	Piston
6	30584	Pin (2)*
7	54504	Block—Lower Valve
8	14776	Valve—Plate
9	54484	Block—Upper Valve
10	35116	Washer
11	30613	Pin
12	33993	Screen—Air
13	21417	Spring
14	44100	Bushing—Reducing
15	53711	Handle
16	14369	Ring—"O"
17	44253	Oiler Screw

Fig- ure	Part No.	Name
18	44755	Insert—Oiler
19	44754	Bushing
20	14087	Trigger (Serial "C")
	14180	Trigger (Serial "D")
21	21542	Retainer (Serial "C")
22	21401	Spring
23	14312	Ring—"O" (3)*
24	53258	Ass'y.—Valve Body & "O" Rings (Serial "C")
	63157	Ass'y.—Valve Body (Serial "D")
25	14325	Valve
26	53246	Ass'y.—Plunger Valve (Serial "C")
	63156	Ass'y.—Plunger Valve (Serial "D")
27	53245	Ass'y.—Adj. Throttle Valve (Serial "C")
	63123	Ass'y.—Adj. Throttle Valve (Serial "D")
28	14181	Actuator—Valve (Serial "D")



2901 FLOYD BOULEVARD ■ SIOUX CITY, IOWA 51102 ■

PRINTED IN U.S.A.



This pdf incorporates the following model numbers:

272