



NOTE: Parts are no longer available for this tool.

The manual will continue on the next page.



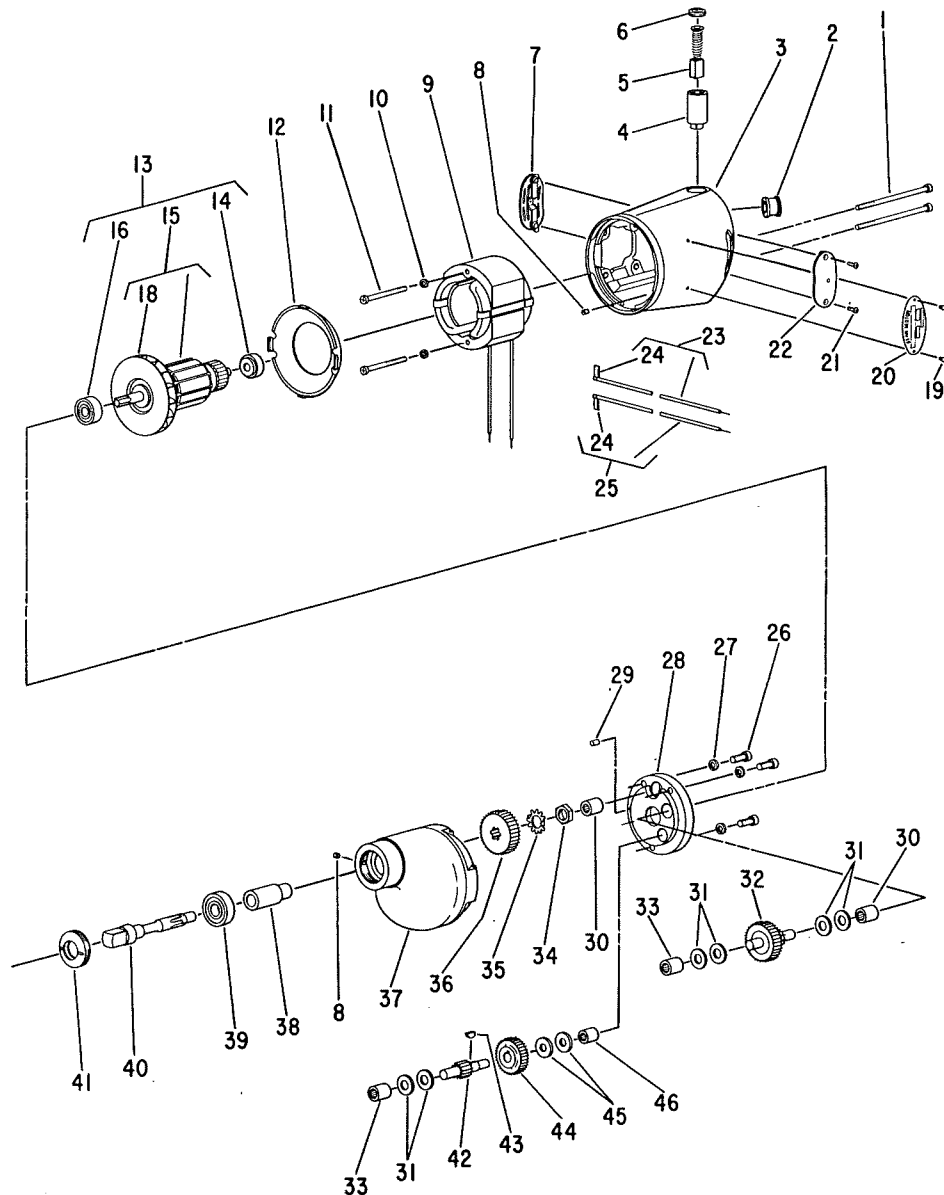
**SIoux
TOOLS INC.**

2901 FLOYD BOULEVARD ■ SIOUX CITY, IOWA 51102 ■

Form A231C
Revised 4/82

**Parts List for
1510SP-P1 (24 VDC), 1510SP-P2 (48 VDC),
1510 SP-P3 (115 VAC) & 1510SP-P4 (230 VAC)
G.E. 251C863**

Ser. No's. Starting With "B"



**When Ordering Parts, Specify Voltage, also Serial & Unit
Number for Which the Parts are Wanted**

Parts List for 1510SP-P1 (24 VDC), 1510SP-P2 (48 VDC), 1510 SP-P3 (115 VAC) & 1510SP-P4 (230 VAC) G. E. 251C863

Ser. No's. Starting With "B"

Fig- ure	Part No.	Name	Fig- ure	Part No.	Name
1	07129	Screw (4)	16	10208	Bearing—Ball
2	14208	Grommet—Rubber	17	24041	Slinger—Grease
3	12321	Housing (Incls. Figs. 2,4,8)	18	21578	Fan
4	18076	Holder—Brush (2)	19	09954	Screw—Drive (2)
5	18004	Brush (Set of 2) (Specify Voltage)	20	20194	Plate—Name
6	18120	Cap—Brush Holder (2)	21	06093	Screw (4)
7	23000	Cap—Inspection Hole (Open)	22	23009	Cap—Inspection Hole (Closed)
8	07000	Screw—Set (3)	23	18863	Wire—Lead
9	†28652-24	Field (1510SP-P1)	24	18860	Clip—Terminal (2)
	†28652-48	Field (1510SP-P2)	25	18862	Wire—Lead
	28652	Field (1510SP-P3)	26	08134	Screw (3)
	28652J	Field (1510SP-P4)	27	09748	Washer—Lock (3)
10	09724	Washer—Lock (2)	28	12035	Cover—Gear Case (Incls. (1) Fig. 30 & 46)
11	07117	Screw—#10-24 x 1 3/4 (2)*	29	24009	Pin
	07136	Screw—#10-24 x 2 1/8 (2)*	30	10003	Bearing—Needle (2)
12	25044	Plate—Baffle	31	25053	Washer—Thrust (6)
13	†16828-24V	Assy.—Arm., Fan & Brgs. (Incls. Fig. 44) (1510SP-P1)	32	19211	Gear—2nd Compound Cluster
	†16828-48V	Assy.—Arm., Fan & Brgs. (Incls. Fig. 44) (1510SP-P2)	33	10004	Bearing—Needle (2)
	16828	Assy.—Arm., Fan & Brgs. (Incls. Fig. 44) (1510SP-P3)	34	24038	Nut—Tool Spindle
	16828J	Assy.—Arm., Fan & Brgs. (Incls. Fig. 44) (1510SP-P4)	35	25055	Washer—Lock
14	10106	Bearing—Ball	36	19210	Gear—Tool Spindle
15	†16529-24V	Assy.—Armature & Fan (Incls. Fig. 44) (1510SP-P1)	37	12060	Case—Gear
	†16529-48V	Assy.—Armature & Fan (Incls. Fig. 44) (1510SP-P2)	38	44770	Sleeve—Tool Spindle
		Assy.—Armature & Fan (Incls. Fig. 44) (1510SP-P3)	39	10196	Bearing—Ball
		Assy.—Armature & Fan (Incls. Fig. 44) (1510SP-P4)	40	22654	Spindle—Tool (Square)
		<div style="border-left: 1px solid black; border-right: 1px solid black; padding: 0 5px; display: inline-block;"> Not Avail. See Fig. 13 </div>	41	23001	Seal—Oil
			42	19441	Pinion—1st Compound
			43	30010	Key—Woodruff
			44	19234	Gear—1st Compound
			45	25054	Washer (2)
			46	10002	Bearing—Needle

†Motor Parts For 24 Volt & 48 Volt are not available

**When Ordering Parts, Specify Voltage, also Serial & Unit
Number for Which the Parts are Wanted**

This pdf incorporates the following model numbers:

1510SP-P1, 1510SP-P2, 1510SP-P3, 1510SP-P4