



NOTE: Parts are no longer available for this tool.

The manual will continue on the next page.



Parts List for No. 1510 M GEAR MOTOR G.E. 243C492

(SERIAL NO'S. STARTING WITH "B")

When Ordering Parts, Specify Voltage, also Serial & Unit
Number of the Unit for Which the Parts are Wanted

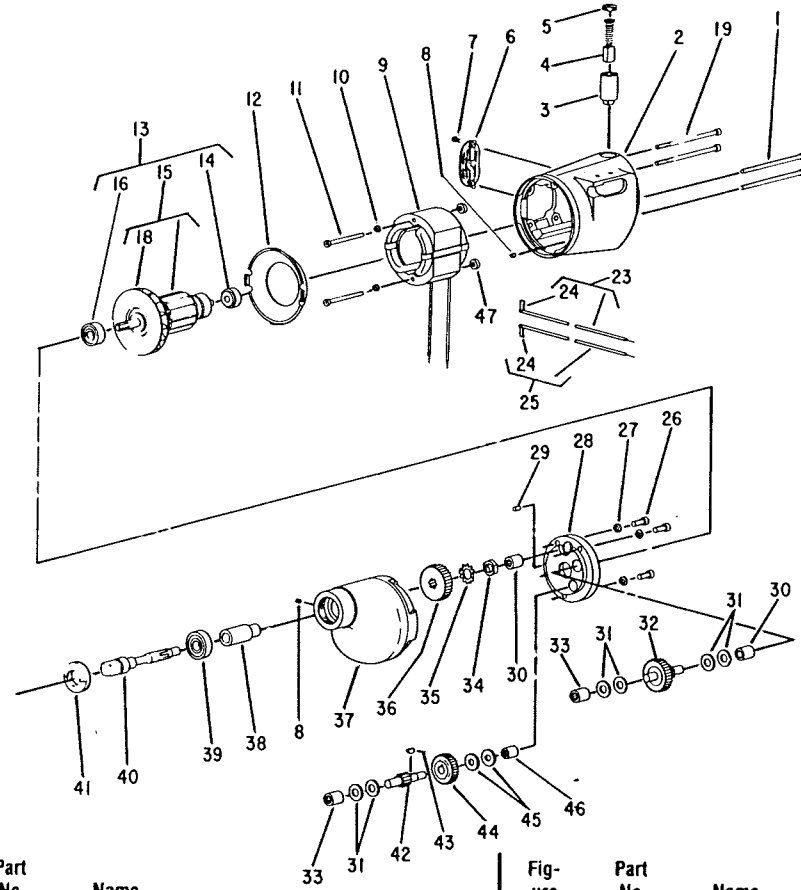


Figure No.	Part No.	Name	Figure No.	Part No.	Name
1	07127	Screw #10-24x4-1/8" (2)*	25	18862	Wire—Lead
	28405-040	Sleeve Insulation (2)*	26	08134	Screw—Sp. 1/4-20 (3)*
2	12320	Housing	27	09748	Washer—Lock 1/4" (3)*
3	18081	Holder—Brush (2)*	28	12429	Cover—Gear Case (Incl. Figs. 46 & 30)
4	18025	Brush—Pair	29	24009	Pin
5	18120	Cap—Brush Holder (2)*	30	10003	Bearing—Needle (2)*
6	23000	Cover—Open Inspection Hole	31	25053	Washer (6)*
7	06090	Screw #4x1/2" (2)*	32	19211	Gear—2nd Compound Cluster
8	07000	Screw #10-24x3/16 (3)*	33	10004	Bearing—Needle (2)*
9	28705	Field—Motor (115V)	34	24038	Nut—Tool Spindle
	28705J	Field—Motor (230V)	35	25055	Washer—Lock
10	09724	Washer—Lock #10 (2)*	36	19210	Gear—Tool Spindle
11	07145	Screw #10-24x1-3/4" (2)*	37	12232	Case—Gear
12	25044	Plate—Baffle	38	44770	Sleeve—Tool Spindle
13	16863	Armature with Fan & Bearings (115V)	39	10196	Bearing—Ball
	16863J	Armature with Fan & Bearings (230V)	40	22654	Spindle—Tool
14	10931	Bearing—Ball	41	23001	Seal—Oil
15	28704	Armature with Fan (115V)	42	19441	Pinion—1st Compound
	28704J	Armature with Fan (230V)	43	30010	Key—Woodruff
16	10289	Bearing—Ball	44	19234	Gear—1st Compound
18	21569A	Fan	45	25054	Washer (2)*
19	07129	Screw #10-24x3-3/4" (2)*	46	10002	Bearing—Needle
	28405-044	Sleeve—Insulation (2)*		20234	Plate—Name
23	18863	Wire—Lead		09954	Screw—Drive #0 (2)*
24	18860	Clip—Terminal (2)*	47	34228	Spacer—Field (2)*

*Order Quantity As Needed

SIoux TOOLS INC.

2901 FLOYD BOULEVARD ■ SIOUX CITY, IOWA 51102 ■



This pdf incorporates the following model numbers:

1510 M