



NOTE: Parts are no longer available for this tool.

The manual will continue on the next page.

SIoux**TOOLS**

Parts List for No. 1510 SPM GEAR MOTOR G.E. 121A5987

When Ordering Parts, Specify Voltage, also Serial & Unit
Number of the Unit for Which the Parts are Wanted

Fig- ure	Part No.	Name	Fig- ure	Part No.	Name
1	23009	Cap—Closed Inspection Hole	18	19034	Gear—2nd Compound
2	06093	Screw—#4 (4)	19	30010	Key—#2 Woodruff (2)
3	12153	Housing	20	12060	Case—Gear
	07125	Screw—#10 (4)	21	24025	Sleeve—Chuck Spindle
4	20275	Plate—Name	22	22584	Spindle—Round Tool
5	09954	Screw—#0 (2)	23	14208	Grommet—Rubber
6	16589	Armature with Fan (G-1, 2, 3) (Specify Voltage & "G" No.)	24	10106	Bearing—Ball
	16814	Armature with Fan and Bearings (G-1, 2, 3) (Specify Voltage & "G" No.)	25	18004	Brush (2) (Specify Voltage) Pair
7	17089	Field (G-1, 2, 3) (Specify Voltage & "G" No.)	26	21329	Spring—Garter (2)
8	25044	Plate—Baffle	27	14602	Washer—Fiber (2)
9	21578	Fan	28	23000	Cap—Open Inspection Hole
10	10003	Bearing—Needle (2)	29	18051	Holder—Brush (2)
11	12035	Cover—Gear Case with Needle Bearings	30	18101	Cap—Brush Holder (2)
12	25053	Washer—Thrust (6)	31	07000	Screw—#10 (3)
13	24038	Nut—Tool Spindle	32	09724	Washer—Lock #10 (2)
14	25055	Washer—Lock	33	07136	Screw—#10 (2)
15	19028	Gear—Chuck Spindle (Up to Serial 1020)	34	10208	Bearing—Ball
	19196	Gear—Chuck Spindle (Serial M101 & Up)	35	08134	Screw—1/4" (3)
16	30001	Key—#2 Woodruff	36	09748	Washer—Lock 1/4" (3)
17	19405	Pinion—2nd Compound (Up to Serial 1020)	37	10002	Bearing—Needle
	19460	Pinion—2nd Compound (Serial M101 & Up)	38	24041	Slinger—Grease
			39	25054	Washer (2)
			40	19026	Gear—1st Compound
			41	19407	Pinion—1st Compound
			42	10004	Bearing Needle (2)
			43	10121	Bearing—Ball
			44	23001	Seal—Oil

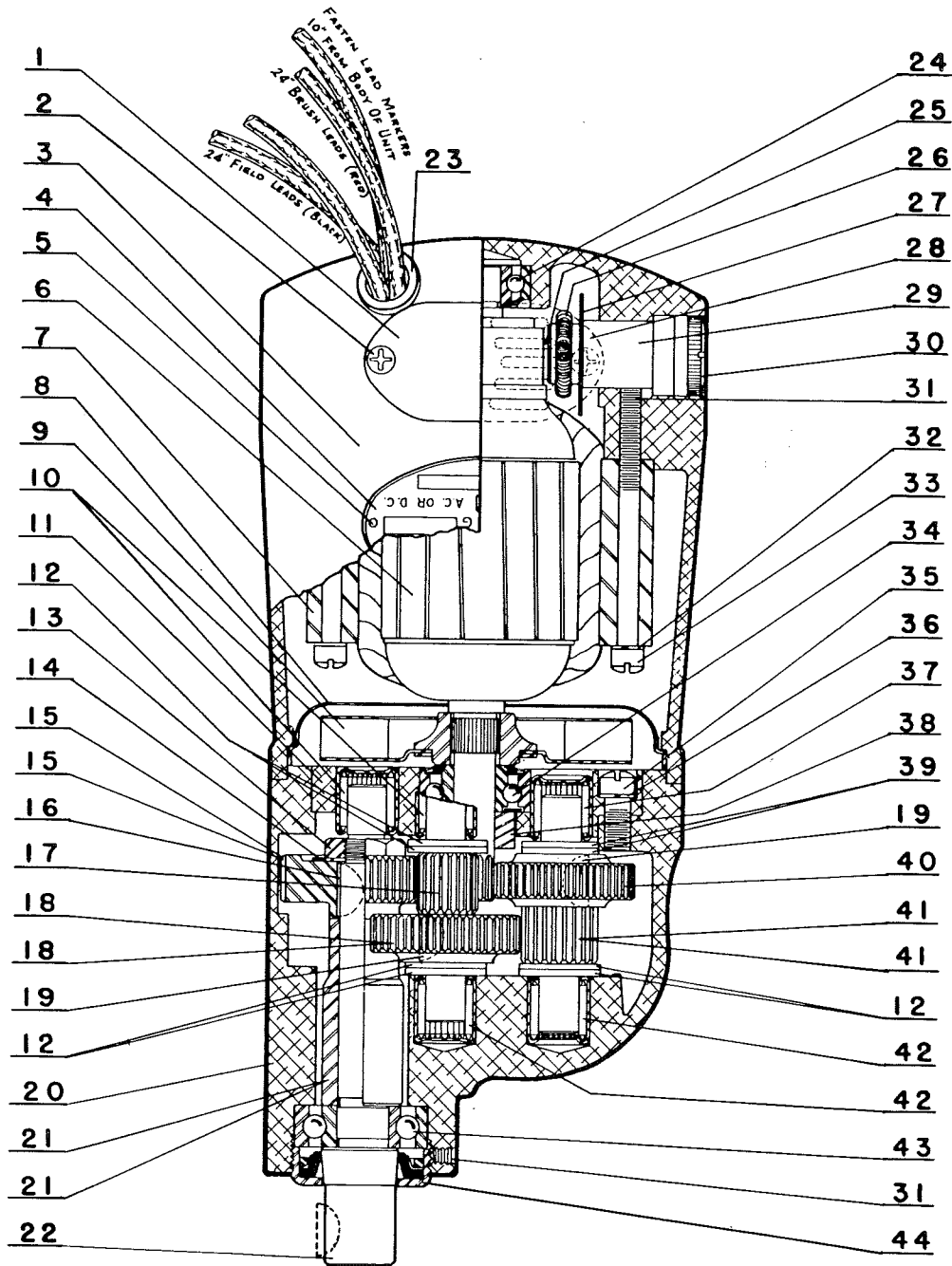
SIoux TOOLS INC.
SIoux CITY, IOWA, U.S.A. 51102

SIoux



TOOLS

Parts List for No. 1510 SPM GEAR MOTOR G.E. 121A5987



When Ordering Parts, Specify Voltage, also Serial & Unit
Number of the Unit for Which the Parts are Wanted

This pdf incorporates the following model numbers:

1510 SPM