



NOTE: Parts are no longer available for this tool.

The manual will continue on the next page.

SIoux



TOOLS

Parts List for No. 502 Sioux AIR ORBITAL FLAT SANDER

Furnish Catalog, Serial and Model Number When Ordering Parts

Fig- ure	Part No.	Name	Fig- ure	Part No.	Name
1	13154	Valve—Plunger Guide	29	30323	Pin—Roll
2	33557	Ass'm.—Valve	30	30252	Pin—Groove (2)
3	34900	Plunger—Valve	*31	14311	Ring—"O"
4	25957	Washer	32	06672	Screw #8 (2)
* 5	14350	Valve—Rubber	33	1359	Ass'm.—Leader Hose
6	21372	Spring—Throttle Valve	34	1358	Ass'm.—Exhaust Hose
7	12295	Housing	35	14332	Boot—Rubber
8	07176	Screw #10 (4)	36	35105	Plate—Motor Retainer
9	21470	Ring—Retainer	*37	43682	Mounting—Flexible (Set of 4)
10	10108	Bearing—Ball	38	07095	Screw #10 (4)
11	11362	Plate—Upper End	39	33558	Plate—Boot Retainer
12	33596	Cylinder	40	35107	Lever—Clamp (2)
13	30324	Pin—Roll	41	44412	Pin—Pivot (2)
14	30235	Pin—Roll	42	30436	Pin—Cotter (2)
*15	33597	Vane—Rotor (Set of 4)	43	43206	Ass'm.—Clamp & Spring (2)
*16	14339	Ring—"O"	44	07203	Screw #10 (4)
17	34896	Rotor	45	43204	Ass'm.—Sole Plate
18	33598	Ass'm.—Lower End Plate	46	14374	Block—Holding (2)
19	10226	Bearing—Ball	47	43205	Ass'm.—Sole Plate & Clamp
20	44044	Spindle—Rotor	48	07208	Screw #10 (4)
21	40092	Key—Woodruff	49	06240	Screw #6 (6)
22	09724	Washer—Lock #10 (9)	50	33559	Pad—Rubber
23	07093	Screw #10		33567	Pad—Felt
24	11371	Counterweight		20359	Plate—Name
25	10210	Bearing—Ball		09954	Screw—Drive (2)
26	34970	Washer		43906	Kit—Tune Up (Includes Fig. 5, 15, 16, 31 & 37)
27	07169	Screw #10			
28	25973	Lever—Valve			

*These parts included in Tune-Up Set No. 43906

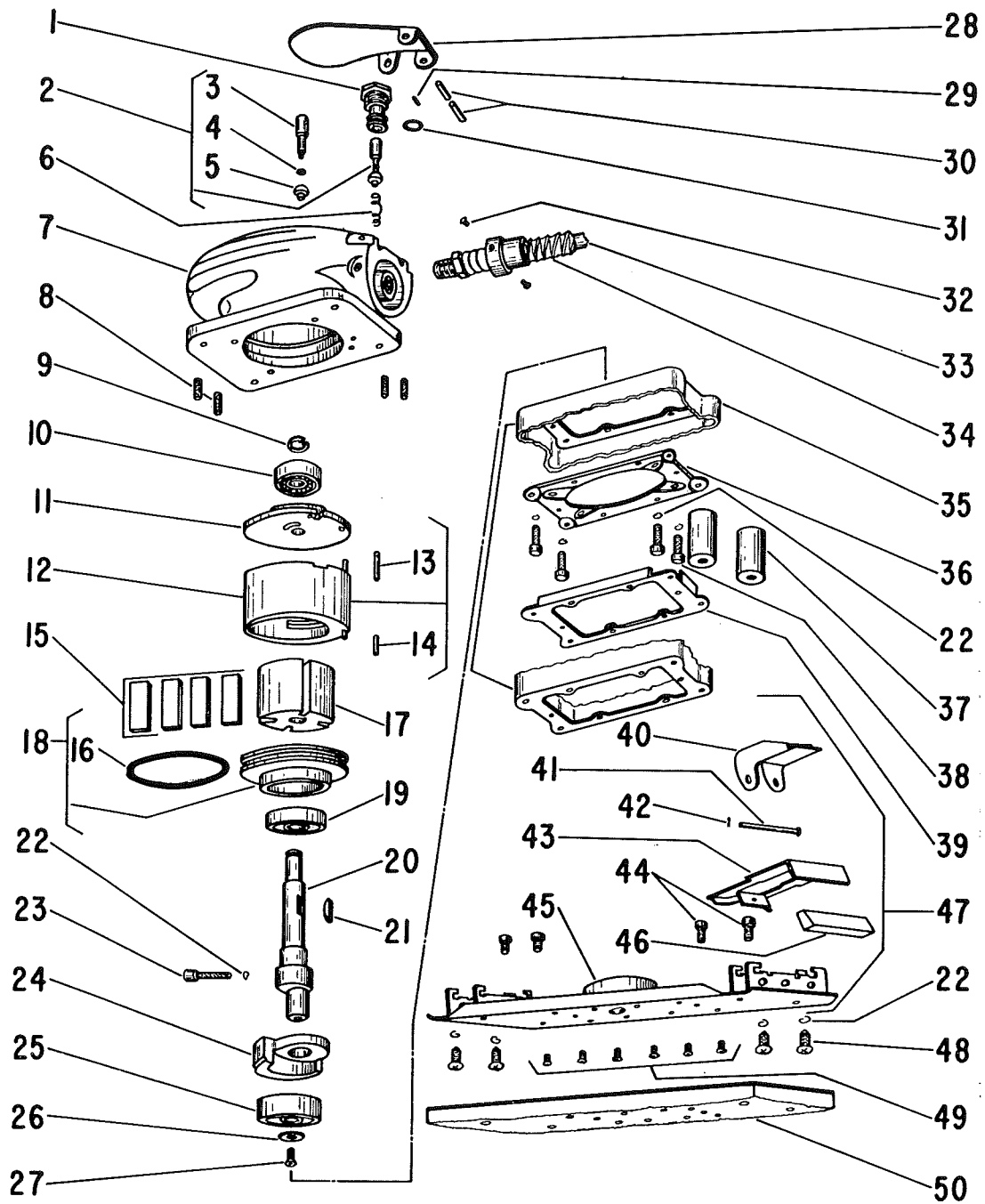
SIoux TOOLS INC.
SIoux CITY, IOWA, U.S.A. 51102

SIoux



TOOLS

Parts List for No. 502 Sioux AIR ORBITAL FLAT SANDER



Furnish Catalog, Serial and Model Number When Ordering Parts

This pdf incorporates the following model numbers:

502