



NOTE: Parts are no longer available for this tool.

The manual will continue on the next page.

SIoux



TOOLS

Parts List for No. 401 Hand Valve Grinder

Furnish Catalog, Serial and Model Number When Ordering Parts

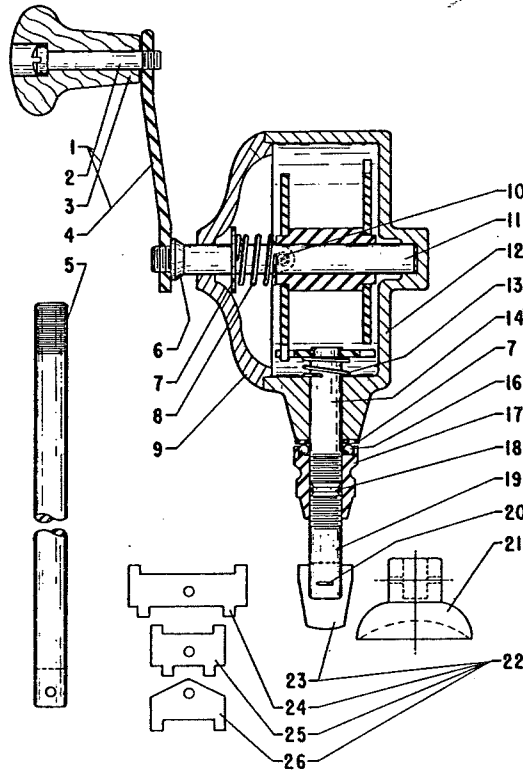


Fig- ure	Part No.	Name
1	23414	Ass'm.—Handle
2	08098	Screw—Sp. 1/4"
3	30133	Knob—Handle
4	25405	Crank
5	24618	Stem—6 1/2"
6	24615	Collar—Gear Spindle
7	25373	Washer (2)
8	21279	Spring—Gear Spindle
9	11020	Lid
10	06505	Screw—Lid & Cup (2)
11	23411	Ass'm.—Gear Block
12	11019	Cup
13	21273	Spring—Pinion Spindle

Fig- ure	Part No.	Name
14	23412	Ass'm.—Pinion & Spindle
16	10303	Ball—Bearing (14)
17	24640	Chuck—Valve Grinder
18	09831	Washer—Lock #6 (2)
19	24620	Stem—1-5/16"
20	30117	Pin—Cotter 3/32"x3/4" (2)
21	408	Grip—Rubber Valve
22	B-33	Set—Driving Point
23	25409	Point—Screw Driver
24	25412	Point—Driving 1"x1 1/4"
25	25411	Point—Driving 1/2"x3/4"
26	25410	Point—Driving 3/4"
	B-34	Spring—Valve lifting

SIoux TOOLS INC.
SIoux CITY, IOWA, U.S.A. 51102

SIoux



TOOLS

Parts List for No. 400 Hand Valve Grinder

Furnish Catalog, Serial and Model Number When Ordering Parts

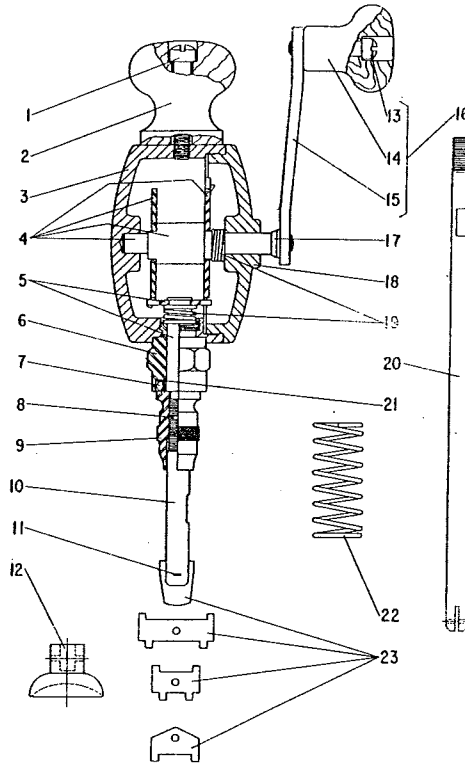


Fig- ure	Part No.	Name
1	08802	Screw—Top
2	30134	Knob—Top
3	11017	Cup
4	23411	Assembly—Gear Block
5	23429	Assembly—Pinion & Spindle
6	24633	Bearing—Hexagon
7	10306	Ball—Bearing (11)
8	09831	Washer—Lock # 6
9	24634	Chuck—Valve Grinder
10	24637	Stem—3"
11	30117	Pin—Cotter $\frac{3}{8}$ "x $\frac{3}{4}$ "
12	408	Cup—Rubber Valve

Fig- ure	Part No.	Name
13	08098	Screw—Sp. $\frac{1}{4}$ "
14	30132	Knob—Handle
15	25404	Crank
16	23402	Assembly—Handle
17	24615	Collar—Gear Spindle
18	11018	Lid
19	21279	Spring—Gear & Pinion (2)
20	24635	Stem—9"
21	25424	Spacer
22	B-34	Spring—Valve Lifting
23	B-33	Set—Driving Point

SIoux TOOLS INC.
SIoux CITY, IOWA, U.S.A. 51102

PRINTED
IN
U.S.A.

This pdf incorporates the following model numbers:

400, 401