



NOTE: Parts are no longer available for this tool.

The manual will continue on the next page.

SIoux



TOOLS

Parts List for No's. 1349 & 1350 AIR REGULATOR

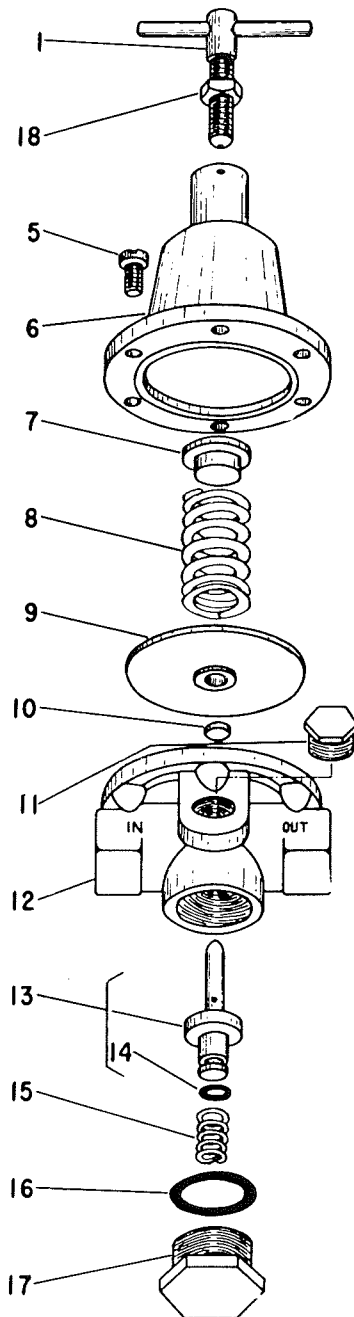


Fig- ure	Part No.	Name
1	00102	Screw—Adjustment
5	07537	Screw—#12 (6)
6	00101	Cover
7	00001	Disc—Spring
8	00002	Spring
9	00003	Ass'm.—Diaphragm
10	00015	Seal—Disc
11	00053	Plug—Pipe
12	00118	Body (1349)
	00004	Body (1350)
13	00005	Ass'm.—Valve
14	00052	Ring—"O"
15	00006	Spring
16	00007	Ring—"O"
17	00008	Plug—Bottom
18	09616	Nut—7/16"

Repair Kit No. 33713 consists of the following figure numbers: 9, 10, 13, and 16.

Furnish Catalog Number When Ordering Parts

SIoux TOOLS INC.
SIoux CITY, IOWA, U.S.A. 51102

Form A187
Dated 12/81

PRINTED
IN
U.S.A.



**SIoux
TOOLS INC.**

2901 FLOYD BOULEVARD ■ SIOUX CITY, IOWA 51102 ■

Parts List For No's. 1349B 1/4", 1350B 1/2" & 1654 3/4" AIR REGULATOR

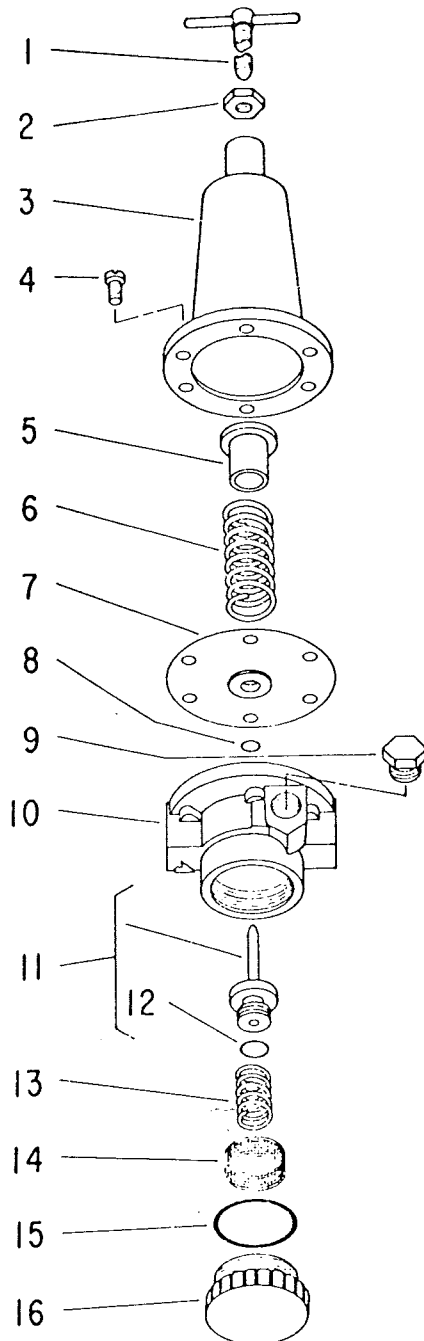


Fig- ure	Part No.	Name
1	00164	Screw—Adjustable
2	09616	Nut—7/16"
3	00165	Cover
4	07587	Screw—#12 (6)
5	00166	Disk—Spring
6	00167	Spring
7	00168	Ass'm—Diaphragm
8	14308	Ring—"O"
9	00053	Plug—Pipe
	00121	Gauge
10	00169	Body (1349B)
	00170	Body (1350B)
	00216	Body (1654)
11	00171	Ass'm.—Valve
12	00172	Ring—"O"
13	00173	Spring
14		Screen—(Not Available)
15	00175	Ring—"O"
16	00176	Plug—Bottom

Repair Kit No. 00177 consists of the following
figure numbers: 7, 8, 11 and 12.

Furnish Catalog and Serial Number When Ordering Parts

This pdf incorporates the following model numbers:

1349, 1350, 1349B, 1350B, 1654