



NOTE: Parts are no longer available for this tool.

The manual will continue on the next page.



PARTS LIST FOR NO. 237 ABRASIVE DISC TRIMMER

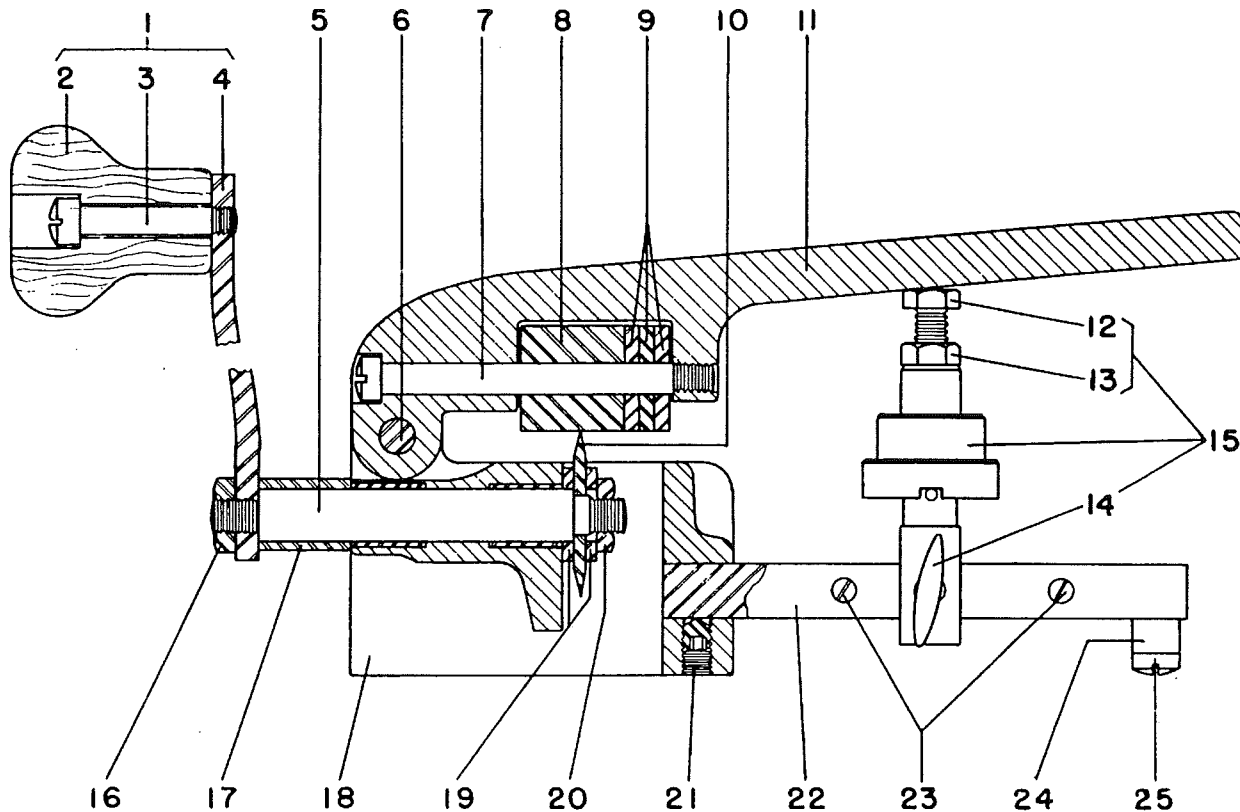


Fig. No.	Part No.	Description
1.	23402	Assembly—Crank Handle
2.	30132	Knob—Handle
3.	08098	Screw—Crank Knob
4.	25404	Crank
5.	24605	Spindle—Cutter
6.	24604	Pin—Handle
7.	24611	Screw—Roller
8.	24610	Roller
9.	25402	Spacer—Roller (3)*
10.	25401	Blade—Cutter
11.	11163	Handle
12.	08250	Screw—1/4"
13.	09496	Nut—Sp. 1/4"
14.	08236	Screw—Thumb 1/4"
15.	23400	Assembly—Mandrel

Fig. No.	Part No.	Description
16.	09556	Nut—Hex 5/16"
17.	24613	Spacer—Spindle
18.	23931	Base
19.	25403	Washer (2)*
20.	09555	Nut—Hex 5/16"
21.	08582	Screw 5/16"
22.	24606	Bar—Adjustment
23.	06585	Screw #8 (2)*
24.	24612	Sleeve—Leg
25.	08138	Screw 1/4"

Not Illustrated:

20081	Plate—Instruction
20082	Plate—Name
09954	Screw—Drive #0 (4)*

*Order Quantity As Needed

SIoux TOOLS INC.

2901 FLOYD BOULEVARD ■ PO BOX 507 ■ SIOUX CITY, IOWA 51102-0507 ■

Printed In U.S.A.

This pdf incorporates the following model numbers:

237