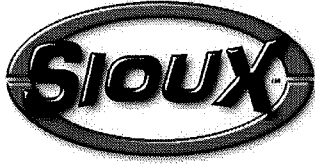


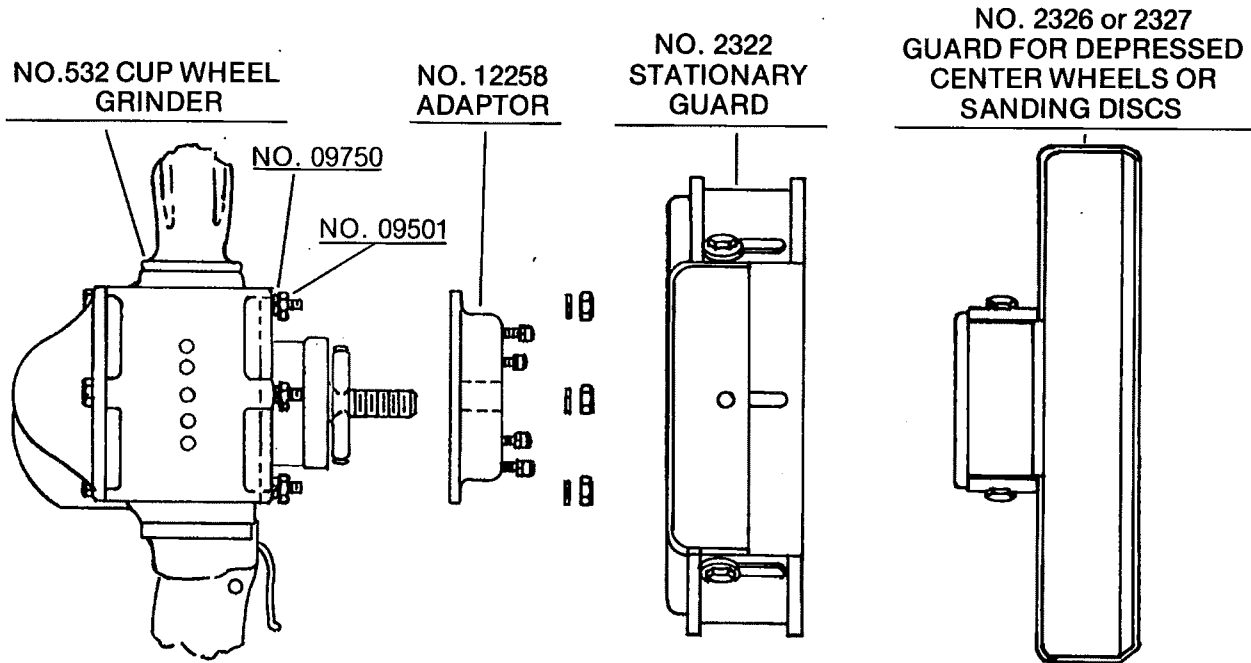


**NOTE: Parts are no longer available for this tool.**

**The manual will continue on the next page.**



# INSTRUCTIONS FOR 12258 ASSEMBLY OF ADAPTOR ON CAT. NO. 532 GRINDERS



An adaptor is required when converting the No. 532 air grinder for use with the stationary guard No. 2322 or the depressed center wheel guards No. 2326 or No. 2327.

Remove the four nuts No. 09501 and lock washers No. 09750, place the adaptor over the end of the bolts, rotating the adaptor to match the bolts.

Reassemble the lock washers and nuts tightening evenly and securely.

The desired guard can then be screwed to the adaptor with the screws provided.

The opening of the guard can be placed in the desired position.

Any other equipment such as No. 510 holder for depressed center wheels can then be assembled.

# SIoux TOOLS INC.

250 SNAP-ON DRIVE ■ PO BOX 1596 ■ MURPHY, NC 28906 ■ USA ■

Printed In U.S.A.

10-7-04

This pdf incorporates the following model numbers:

12258, 532