



**NOTE: Parts are no longer available for this tool.**

**The manual will continue on the next page.**

**SIoux****TOOLS**

**Parts List for Nos. 532, 532T, A532, A532T, C532, C532T, D532, D532T, 534, 534T, A534, A534T, B534, B534T, C534, C534T, D534, D534T**

**VERTICAL AIR GRINDERS & SANDERS**

(Serial No's. Starting with "C" & "D")

Furnish Catalog, Serial and Model Number When Ordering Parts

Fig- ure	Part No.	Name	Fig- ure	Part No.	Name
1	34986	Flange—Drive	42	44042	Pin
2	44057	Cap	43	35009	Lever—Throttle
3	10235	Bearing—Ball	45	14039	Button—Lever Throttle
4	54281	Spindle	46	33848	Assy.—Plunger & "O" Ring
5	44060	Key—Rotor	47	14349	Ring—"O"
6	09501	Nut—Hex. (8)	48	53434	Ass'y.—Lever & Cam Kit (Incl's Fig. 21) (Ser. No's. Starting with "C")
7	09750	Washer—Lock (13)			
8	33864	Vane—Rotor (Set of 4)			
9	12761	Housing		53446	Ass'y.—Lever & Cam (Ser. No's. Starting with "D")
10	08772	Screw—Hex Hd.	49	44251	Plunger—Thumb Throttle
11	09550	Nut—Hex	50	07186	Screw—Set
12	33855	Plate—Top End	51	33994	Handle—Thumb Throttle (Includes Fig. 44 & 54)
13	10234	Bearing—Ball	52	44141	Pivot
14	11586	Weight—Gov. (2)	53	54377	Plate—Wear
15	54227	Body—Gov.	54	44253	Oiler Screw & "O" Ring
16	30694	Pin—Roll (2)	55	14369	Ring—"O"
17	53249	Assy.—Gov. Stem	56	12257	Handle—Auxiliary
18	54236	Lever—Gov.	57	44059	Key—Cylinder
19	11587	Lever—Gov.	58	44061	Cylinder
20	12758	Housing—Gov.	59	44063	Rotor
21	30356	Fitting—Grease	60	53343	Plate—Bottom End
22	08273	Screw—Hex Hd. (4)	61	30369	Pin
23	30347	Pin	62	44083	Flange—Locking (Cup Wheel Grinder & Wire Brush)
24	14742	Gasket	63	12258	Plate—Adaptor for Guard on Depressed Center Wheel Grinder (Includes (4) Fig. 7 & (4) Fig. 64)
25	53250	Assy.—Gov.	64	08301	Screw—Hex Slotted Hd. (4)
26	13258	Guide—Spring		20408	Plate—Name (Sander & Wire Brush)
27	41266	Spring—Gov. (Natural) 532-6000 R.P.M.		20409	Plate—Name (Grinder)
	41267	Spring—Gov. (Blue) 534-4500 R.P.M.		06000	Screw (4)
28	53265	Assy.—Spring Adjustor		35004	Wrench
29	14799	Gasket—Handle			Guards
30	53247	Assy.—Gov. Valve		2322	6" Flared Cup Grinding Wheel Guard (D532, D532T, D534, D534T, 532, 532T, 534, 534T)
32	08232	Screw—Soc. Hd. Cap (9)		2327	9" Depressed Center Grinding Wheel Guard (A532, A532T, A534, A534T)
33	14344	Seat—Throttle Valve			
34	10294	Ball—Steel			
35	21396	Spring			
36	33843	Assy.—Bushing & Retainer			
37	33736	Screen—Inlet			
38	21512	Ring—Retaining			
39	21418	Spring—Tapered			
40	44011	Retainer—Seat			
41	33735	Handle—Lever Throttle (Includes Fig. 44 & 54)			

53412 Kit to Convert Units to Lever Throttle Handle

**SIoux TOOLS INC.**  
SIoux CITY, IOWA, U.S.A. 51102

# SIoux

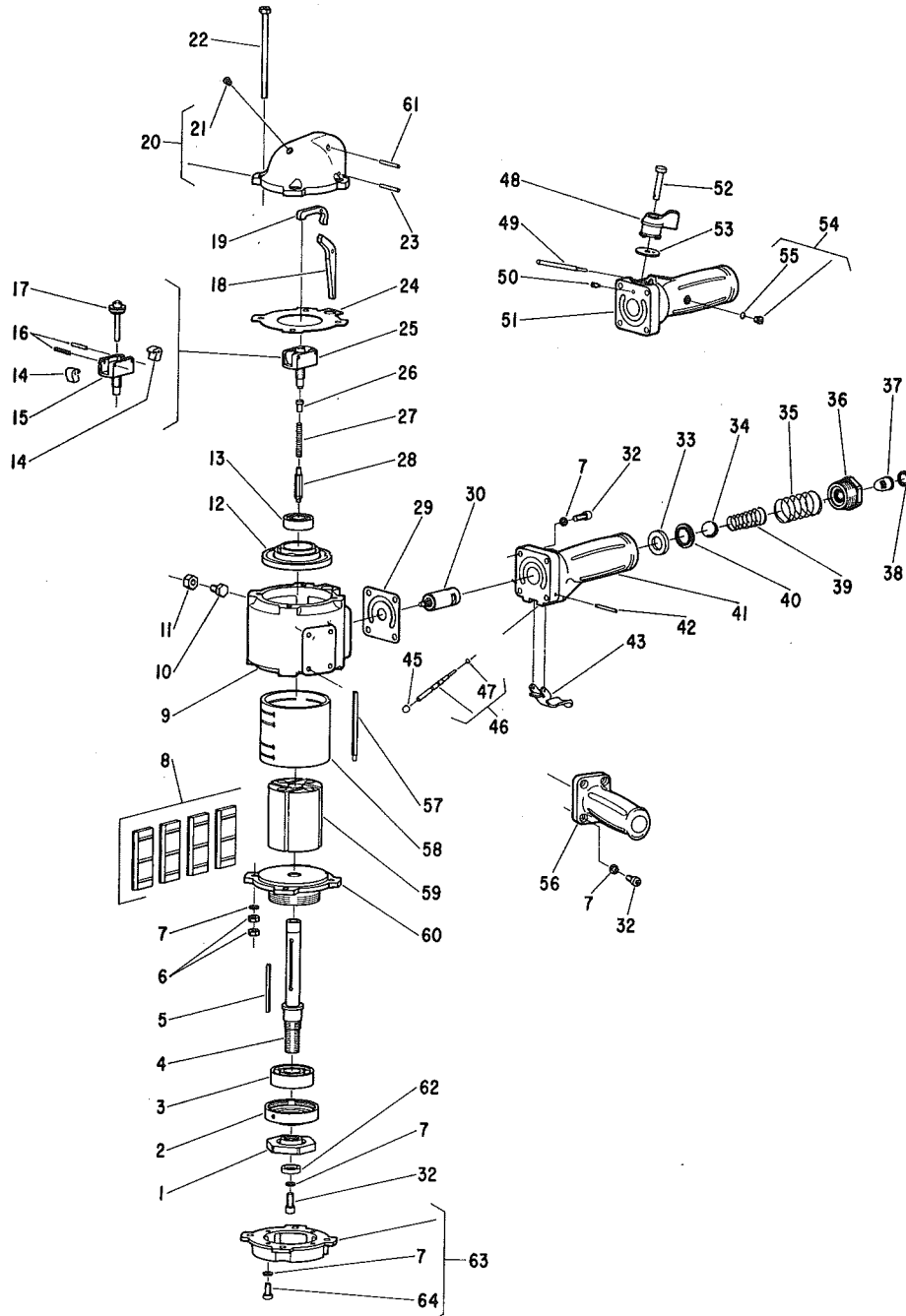


# TOOLS

## Parts List for Nos. 532, 532T, A532, A532T, C532, C532T, D532, D532T, 534, 534T, A534, A534T, B534, B534T, C534, C534T, D534, D534T

### VERTICAL AIR GRINDERS & SANDERS

(Serial No's. Starting with "C" & "D")



Furnish Catalog, Serial and Model Number When Ordering Parts

This pdf incorporates the following model numbers:

532, 532T, A532, A532T, C532, C532T, D532, D532T, 534, 534T, A534, A534T, B534, B534T, C534, C534T, D534, D534T