



NOTE: Parts are no longer available for this tool.

The manual will continue on the next page.

SIoux



TOOLS

Parts List for Nos. D-532, D-532T, D-533, D-533T, D-534, D-534T, VERTICAL AIR GRINDER & SANDER

(Serial 3582 & Up)

Furnish Catalog, Serial and Model Number When Ordering Parts

Fig- ure	Part No.	Name	Fig- ure	Part No.	Name
4	43273	Spindle—Governor	36	14345	Ring—"O"
6	11514	Weight—Governor (2) (4500 & 6000 R.P.M.)	38	33735	Ass'm.—Throttle Handle
	44088	Weight—Governor (3500 R.P.M.) (2)	39	21396	Spring
7	30362	Pin—Roll (2)	40	33843	Ass'm.—Bushing Retainer
8	34996	Body—Governor	41	33736	Screen
9	21390	Spring—Governor (6000 R.P.M.)	42	21512	Retainer—Ring
	21400	Spring—Governor (3500 R.P.M.)	43	21418	Spring—Tapered
	21389	Spring—Governor (4500 R.P.M.)	44	10294	Ball—Steel
10	13164	Nut—Governor Adjusting	45	44011	Retainer—Seat
11	08273	Stud (4)	46	14344	Seat—Throttle Valve
12	12758	Housing—Governor	50	35009	Lever—Throttle
13	43292	Ass'm.—Governor (6000 R.P.M.)	51	33775	Plate—Throttle Lever
	43294	Ass'm.—Governor (4500 R.P.M.)	52	44042	Pin
	43293	Ass'm.—Governor (3500 R.P.M.)	53	13178	Sleeve
14	10234	Bearing—Ball	54	14349	Ring—"O"
15	33855	Plate—Upper End	55	33848	Ass'm.—Plunger & "O" Ring
16	12761	Housing	56	13167	Body—Valve
17	12257	Handle	57	21385	Spring—Valve
18	09750	Washer—Lock 1/4" (13)	58	14039	Button—Lever Throttle
19	08232	Screw 1/4" (9)	59	33856	Plate—Lower End
20	44059	Key—Cylinder	60	44060	Key—Rotor
21	44061	Cylinder	61	44062	Spindle
22	33864	Vane—Rotor (Set of 4)		22625	Spindle—Spline
23	44063	Rotor	62	10235	Bearing—Ball
24	09501	Nut 1/4" (8)	63	44083	Flange—Locking
25	44057	Cap	67	07179	Screw #10
26	34986	Flange—Drive	69	44141	Pivot
27	30369	Pin	70	33995	Ass'm.—Lever & Cam
28	30347	Pin	71	35078	Plate—Wear
29	14742	Gasket	72	44251	Plunger—Valve
30	44451	Lever—Governor	73	33994	Handle—Thumb Throttle
31	44058	Lever—Governor Valve	74	14369	Ring—"O"
32	14738	Gasket—Handle	75	33991	Ass'm.—Oiler Screw & Chain
33	30355	Pin	76	34976	Button—Wear
34	35010	Retainer—Spring		20293	Plate—Name (6000 R.P.M.)
35	34994	Valve—Governor		20316	Plate—Name (4500 R.P.M.)
				20317	Plate—Name (3500 R.P.M.)
				06000	Screw #2 (4)

ALBERTSON & COMPANY, Inc.

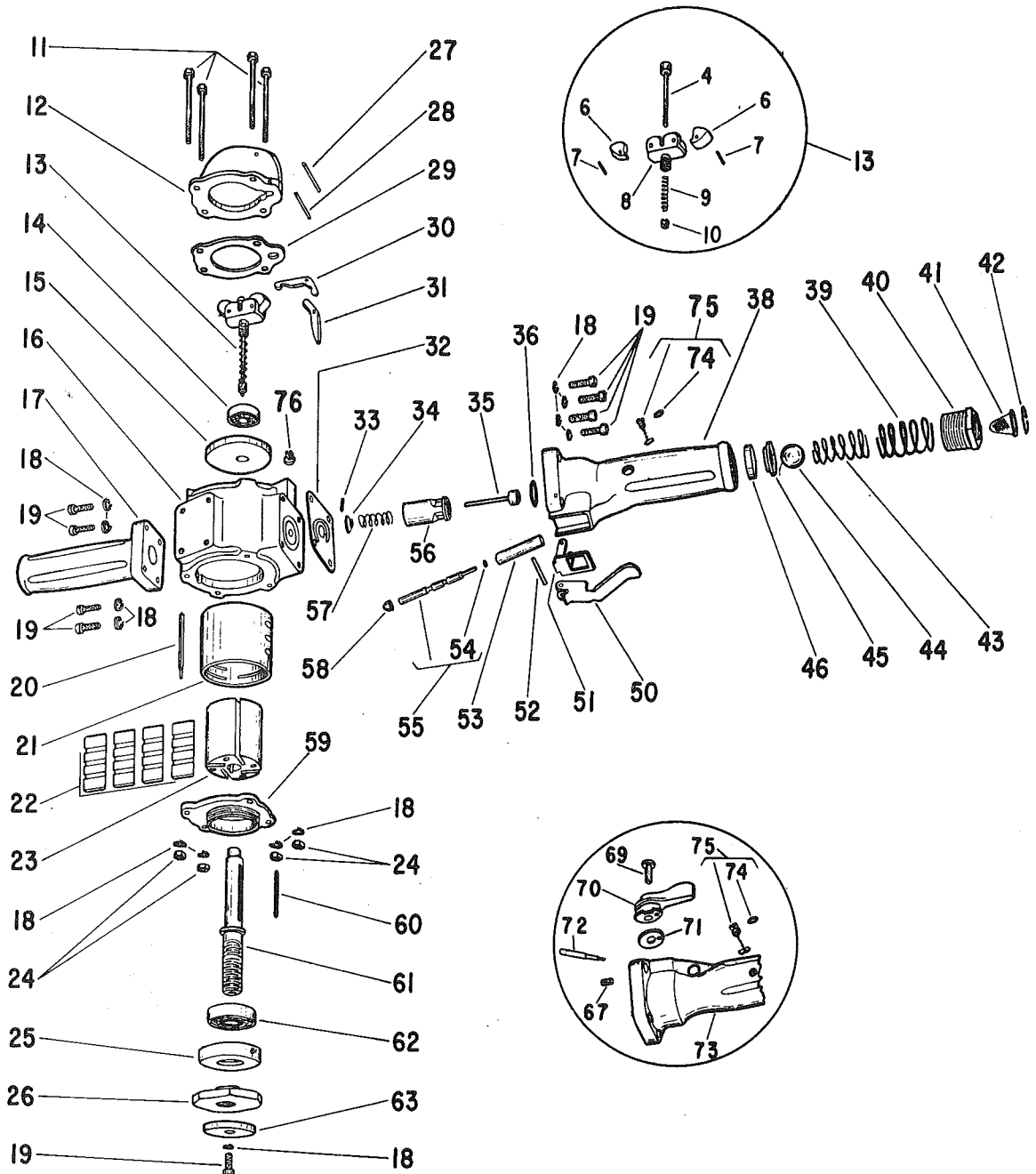
SIoux CITY, IOWA, U.S.A. 51102

SIoux



TOOLS

Parts List for Nos. D-532, D-532T, D-533, D-533T,
D-534, D-534T,
VERTICAL AIR GRINDER & SANDER
(Serial 3582 & Up)



Furnish Catalog, Serial and Model Number When Ordering Parts

This pdf incorporates the following model numbers:

D-532, D-532T, D-533, D-533T, D-534, D-534T