



NOTE: Parts are no longer available for this tool.

The manual will continue on the next page.

SIoux



TOOLS

PARTS LIST FOR 504, 504T, A504, A504T, B504, B504T, C504, C504T, D504, D504T, 505, 505T, A505, A505T, B505, B505T, C505, C505T, D505, D505T, 507, 507T, A507, A507T, C507, C507T, D507, and D507T

VERTICAL AIR GRINDERS, SANDERS AND WIRE BRUSHES (SERIAL C100 & UP)

Furnish Catalog, Serial and Model Number When Ordering Parts

Fig- ure	Part No.	Name	Fig- ure	Part No.	Name
1	34986	Flange—Drive	41	44011	Retainer—Seat
2	34988	Cap	42	33735	Handle—Lever Throttle (Includes Fig. 45 & 55)
3	34992	Key—Rotor	43	44042	Pin
4	09501	Nut—Hex (8)	44	35009	Lever—Throttle
5	09750	Washer—Lock 1/4" (9)	46	14039	Button—Lever Throttle
6	33837	Vane—Rotor (Set of 4)	47	33848	Assy.—Plunger & "O" Ring
7	34991	Key—Cylinder	48	14349	Ring—"O"
8	34984	Cylinder	49	53434	Assy.—Lever & Cam Kit (Incl's. Fig. 54)
9	08772	Screw—Hex Hd.	50	44251	Plunger—Thumb Throttle
10	09550	Nut—Hex	51	07186	Screw—Set
11	12750	Housing	52	33994	Handle—Thumb Throttle (Includes Fig. 45 & 55)
12	33734	Plate—Top End	53	44141	Pivot
13	10175	Bearing—Ball	54	54377	Plate—Wear
14	11586	Weight—Gov. (2)	55	43553	Assy.—Oiler Screw & "O" Ring
15	54227	Body—Gov.	56	14369	Ring—"O"
16	30694	Pin—Roll (2)	57	12257	Handle—Auxiliary
17	53249	Assy.—Gov. Stem	58	34985	Rotor
18	54229	Lever—Gov.	59	53342	Plate—Bottom End
19	11587	Lever—Gov.	60	54277	Spindle
20	12752	Housing—Gov.	61	10195	Bearing—Ball
21	30356	Fitting—Grease	62	44083	Flange—Locking (Cup Wheel Grinder & Wire Brush)
22	08272	Screw—Soc. Hd. Cap (+)	20408		Plate—Name (Sander & Wire Brush)
23	30400	Pin	20409		Plate—Name (Grinder)
24	30424	Pin	06000		Screw (+)
25	14737	Gasket	2323		5" Flared Cup Grinding Wheel Guard (A507, A507T)
26	53250	Assy.—Gov.	2324		6" Flared Cup Grinding Wheel Guard (A504, A504T, A505, A505T)
27	13258	Guide—Spring	2326		7" Depressed Center Grinding Wheel Guard (507, 507T, D507, D507T)
28	41266	Spring—Gov. 505—6000 R.P.M., 507—7000 R.P.M.	2327		9" Depressed Center Grinding Wheel Guard (504, 504T, D504, D504T, 505, 505T, D505, D505T)
	41267	Spring—Gov. 504—4500 R.P.M.			
29	53248	Assy.—Spring Adjustor			
30	14799	Gasket—Handle			
31	53247	Assy.—Gov. Valve			
32	53282	Assy.—Screen			
33	08232	Screw—Soc. Hd. Cap (9)			
34	14344	Seat—Throttle Valve			
35	10294	Ball—Steel			
36	21396	Spring			
37	33843	Assy.—Bushing & Retainer			
38	33736	Screen—Inlet			
39	21512	Ring—Retaining			
40	21418	Spring—Tapered			

53412 Kit to Convert Units to Lever Throttle Handle

SIoux TOOLS INC.
SIoux CITY, IOWA, U.S.A. 51102

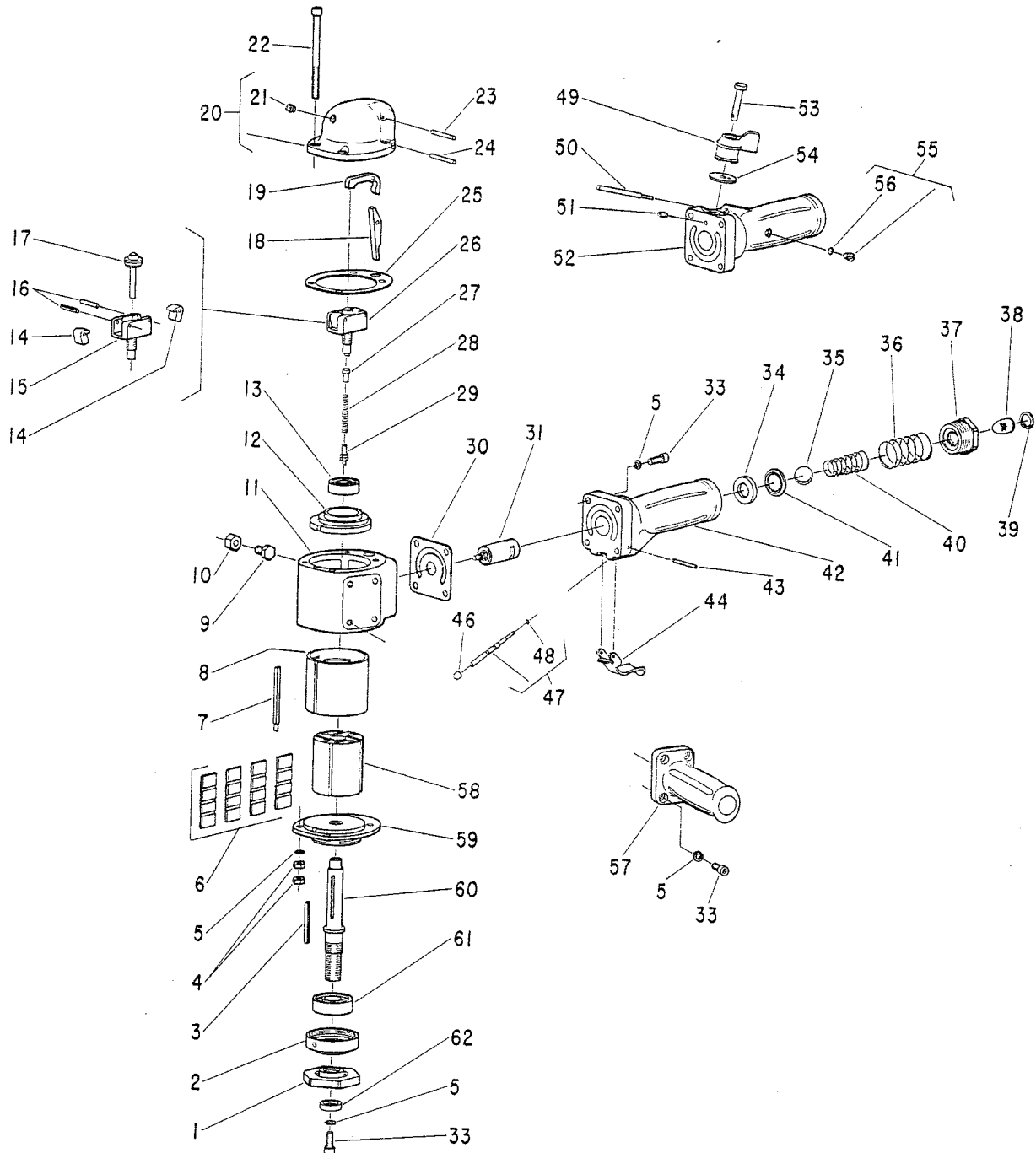
SIoux



TOOLS

PARTS LIST FOR 504, 504T, A504, A504T, B504, B504T, C504, C504T, D504, D504T, 505, 505T, A505, A505T, B505, B505T, C505, C505T, D505, D505T, 507, 507T, A507, A507T, C507, C507T, D507, and D507T

VERTICAL AIR GRINDERS, SANDERS AND WIRE BRUSHES
(SERIAL C100 & UP)



Furnish Catalog, Serial and Model Number When Ordering Parts

This pdf incorporates the following model numbers:

504, 504T, A504, A504T, C504, C504T, D504, D504T, 505T, A505, A505T, B505, B505T, C505, C505T, D505, D505T, 507, 507T, A507, A507T, B507, B507T, C507, C507T, D507, D507T