



NOTE: Parts are no longer available for this tool.

The manual will continue on the next page.

SIoux



TOOLS

PARTS LIST FOR 504, 504T, A504, A504T, B504, B504T, C504, C504T, D504, D504T, 505, 505T, A505, A505T, B505, B505T, C505, C505T, D505, D505T, 507, 507T, A507, A507T, C507, C507T, D507, and D507T

VERTICAL AIR GRINDERS, SANDERS AND WIRE BRUSHES

(Serial B100 Up To C99)

Furnish Catalog, Serial and Model Number When Ordering Parts

Fig- ure	Part No.	Name	Fig- ure	Part No.	Name
1	34986	Flange—Drive	41	44011	Retainer—Seat
2	34988	Cap	42	33735	Handle—Lever Throttle (Includes Fig. 45 & 55)
3	34992	Key—Rotor	43	44042	Pin
4	09501	Nut—Hex (8)	44	35009	Lever—Throttle
5	09750	Washer—Lock (9)	45	13178	Sleeve
6	33837	Vane—Rotor (Set of 4)	46	14039	Button—Lever Throttle
7	34991	Key—Cylinder	47	33848	Assy.—Plunger & "O" Ring
8	34984	Cylinder	48	14349	Ring—"O"
9	08772	Screw—Hex Hd.	49	33995	Assy.—Lever & Cam
10	09550	Nut—Hex	50	44251	Plunger—Thumb Throttle
11	12750	Housing	51	07186	Screw—Set
12	33734	Plate—Top End	52	33994	Handle—Thumb Throttle (Includes Fig. 45 & 55)
13	10175	Bearing—Ball	53	44141	Pivot
14	11586	Weight—Gov. (2)	54	35078	Plate—Wear
15	54227	Body—Gov.	55	43553	Assy.—Oiler Screw & "O" Ring
16	30694	Pin—Roll (2)	56	14369	Ring—"O"
17	53249	Assy.—Gov. Stem	57	12257	Handle—Auxiliary
18	54229	Lever—Gov.	58	34985	Rotor
19	11587	Lever—Gov.	*59	33852	Plate—Bottom End (Not available)
20	12752	Housing—Gov.	*60	34987	Spindle (Not available)
21	30356	Fitting—Grease	61	10195	Bearing—Ball
22	08272	Screw—Soc. Hd. Cap (4)	62	44083	Flange—Locking (Cup Wheel Grinder & Wire Brush)
23	30400	Pin	20408	Plate—Name (Sander & Wire Brush)	
24	30424	Pin	20409	Plate—Name (Grinder)	
25	14737	Gasket	06000	Screw (4)	
26	53250	Assy.—Gov.	2323	5" Flared Cup Grinding Wheel Guard (A507, A507T)	
27	13258	Guide—Spring	2324	6" Flared Cup Grinding Wheel Guard (A504, A504T, A505, A505T)	
28	41266	Spring—Gov. 505—6000 R.P.M., 507—7000 R.P.M.	2326	7" Depressed Center Grinding Wheel Guard (507, 507T, D507, D507T)	
	41267	Spring—Gov. 504—4500 R.P.M.	2327	9" Depressed Center Grinding Wheel Guard (504, 504T, D504, D504T, 505, 505T, D505, D505T)	
29	53248	Assy.—Spring Adjustor			
30	14799	Gasket—Handle			
31	53247	Assy.—Gov. Valve			
32	53282	Assy.—Screen			
33	08232	Screw—Soc. Hd. Cap (9)			
34	14344	Seat—Throttle Valve			
35	10294	Ball—Steel			
36	21396	Spring			
37	33843	Assy.—Bushing & Retainer			
38	33736	Screen—Inlet			
39	21512	Ring—Retaining			
40	21418	Spring—Tapered			

53412 Kit to Convert Units to Lever Throttle Handle

*Order Kit No. 53348 (Replaces Fig's. 59 & 60)

SIoux TOOLS INC.

SIoux CITY, IOWA, U.S.A. 51102

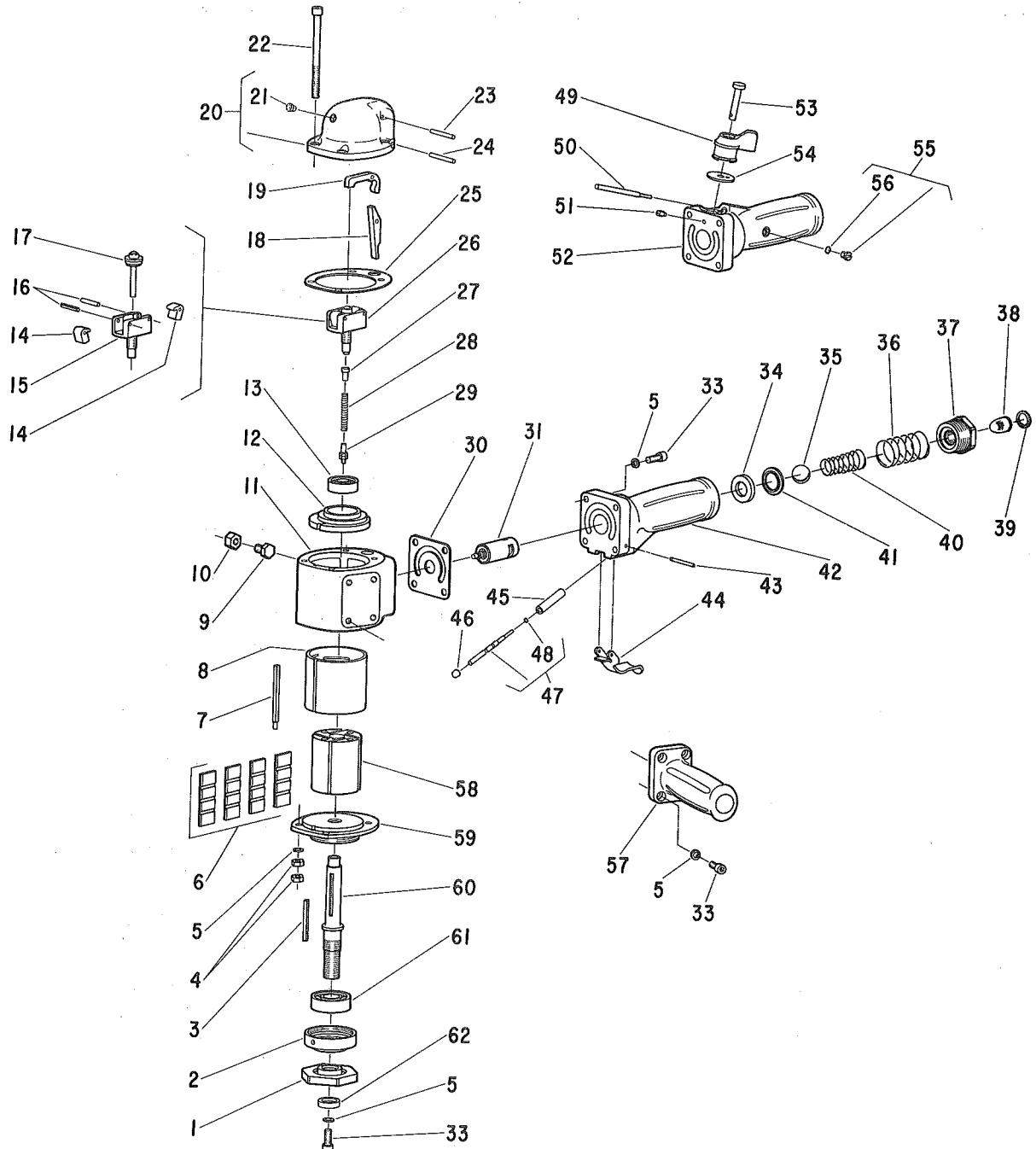
SIoux



TOOLS

PARTS LIST FOR 504, 504T, A504, A504T, B504, B504T, C504, C504T, D504, D504T, 505, 505T, A505, A505T, B505, B505T, C505, C505T, D505, D505T, 507, 507T, A507, A507T, C507, C507T, D507, and D507T

VERTICAL AIR GRINDERS, SANDERS AND WIRE BRUSHES
(SERIAL B100 UP TO C99)



Furnish Catalog, Serial and Model Number When Ordering Parts

This pdf incorporates the following model numbers:

504, 504T, A504, A504T, C504, C504T, D504, D504T, 505T, A505, A505T, B505, B505T, C505, C505T, D505, D505T, 507, 507T, A507, A507T, B507, B507T, C507, C507T, D507, D507T