



NOTE: Parts are no longer available for this tool.

The manual will continue on the next page.

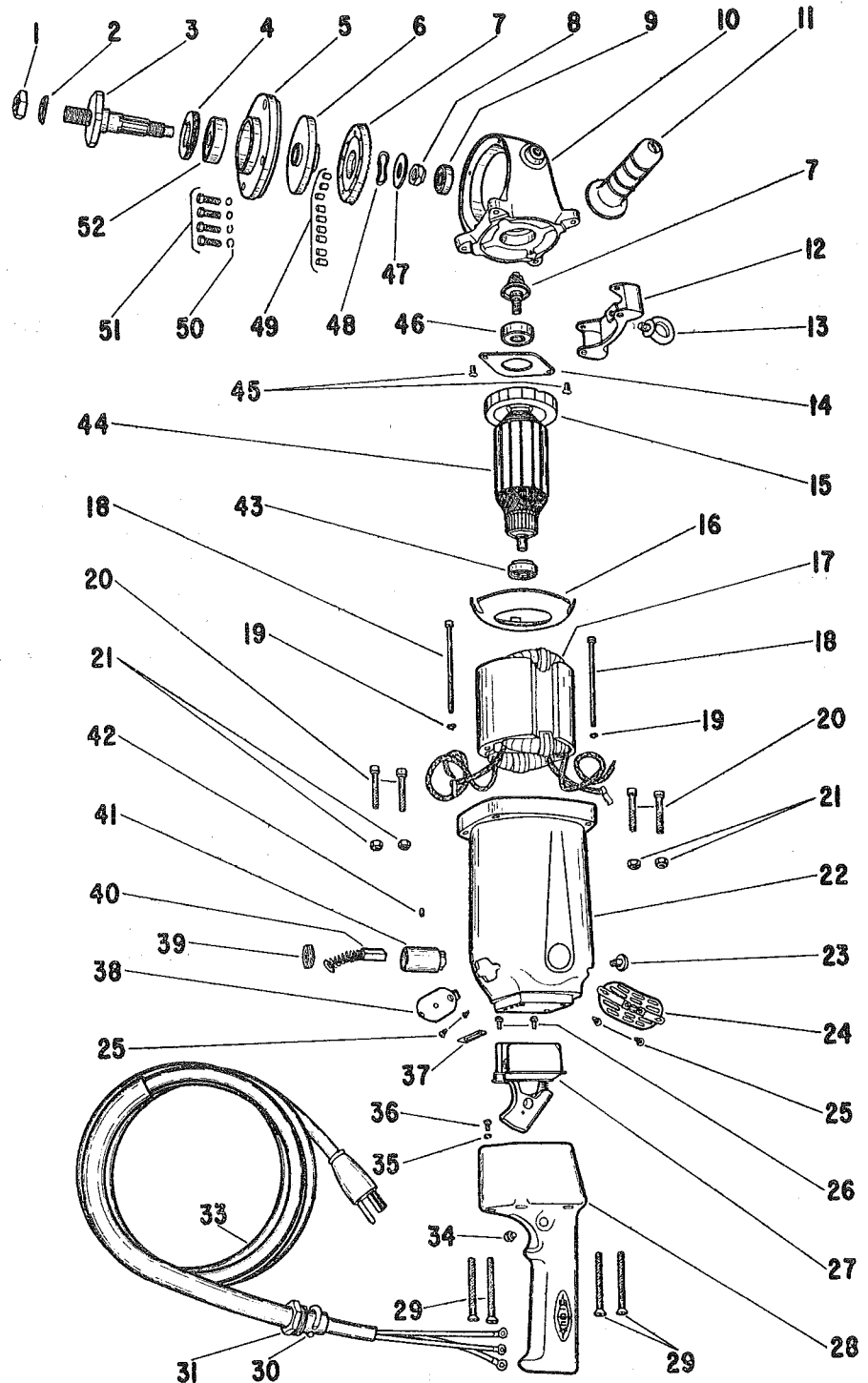
SIoux



TOOLS

Parts List for No. 1270 Sioux 9-Inch Heavy Duty Grinder

Serial Nos. Starting With "B"



Furnish Catalog, Serial and Model Number When Ordering Parts

SIoux**TOOLS**

Parts List for No. 1270 Sioux 9-Inch Heavy Duty Grinder

Serial Nos. Starting With "B"

Furnish Catalog, Serial and Model Number When Ordering Parts

Fig- ure	Part No.	Name	Fig- ure	Part No.	Name
1	09657	Nut—Tool Spindle	29	08225	Screw—1/4" (4)
2	24295	Flange—Outside	30	21511	Ring—Clinch
3	22938	Spindle—Tool	31	34978	Retainer—Cord
4	34971	Retainer—Bearing	32	18756	Adaptor
5	12253	Support—Bearing	33	18648	Cord—Electric with Terminals
6	34969	Carrier—Gear		33616	Protector—Cord
7	19714	Gears—Matched Set, Spiral Bevel Gear and Pinion	34	33679	Lock—Trigger Switch
8	09653	Nut—Elastic Stop	35	09712	Washer—Lock #8
9	10282	Bearing—Ball	36	06485	Screw—#8
10	12254	Case—Gear	37	14697	Retainer—Wire
11	23006	Handle—Side	38	33781	Cover—Closed Inspection Hole
12	25993	Director—Air	39	18119	Cap—Brush Holder (2)
13	09420	Bolt—Eye	40	18020	Brush—Motor (2) (Pair)
14	25016	Plate—Bearing Lock	41	18074	Holder—Brush (2)
15	21610	Fan	42	07000	Screw—#10 (2)
16	25014	Plate—Baffle	43	10118	Bearing—Ball
17	17134	Field—Motor	44	16594	Armature with Fan
18	07113	Screw—#10 (2)		16826	Armature with Fan & Bearings
19	09724	Washer—Lock #10 (2)	45	07204	Screw—#10 (2)
20	08274	Screw—1/4" (4)	46	10244	Bearing—Ball
21	09530	Nut—1/4" (4)	47	25990	Washer
22	12252	Housing	48	25925	Washer—Spring
23	34976	Button—Wear	49	14033	Pin—Drive (9)
24	23091	Cover—Open Inspection Hole	50	14759	Washer (4)
25	06093	Screw—#4 (4)	51	08142	Screw—1/4" (4)
26	06690	Screw—#8 (2)	52	10232	Bearing—Ball
27	18197	Switch		20432	Plate—Name
28	33787	Handle		09954	Screw—Drive (2)
				33619	Guard

**SIoux
TOOLS INC.**

This pdf incorporates the following model numbers:

1270