



NOTE: Parts are no longer available for this tool.

The manual will continue on the next page.

Parts List for No. 7019 3/4" SQUARE DRIVE IMPACT WRENCH

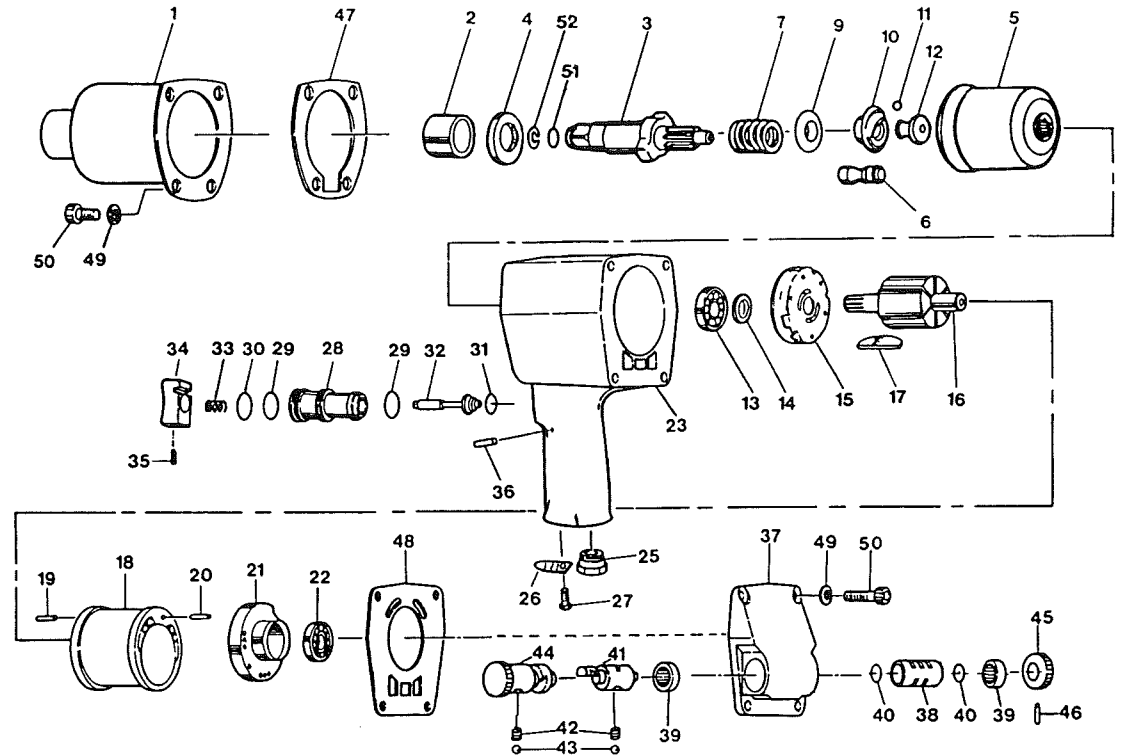


Fig- ure	Part No.	Name	Fig- ure	Part No.	Name
1	1J695	Hammer Case	28	1J621	Valve Bushing
2	1J696	Housing Bushing	29	1J628	"O" Ring (2)*
3	1J697	Anvil Shank	30	1J629	"O" Ring
4	1J698	Spacer	31	1J173	"O" Ring
5	1J699	Hammer Cage	32	1J622	Valve Stem
6	1J700	Pin Anvil Hammer (2)*	33	1J618	Valve Spring
7	1J701	Spring	34	1J619	Throttle Lever
9	1J702	Hammer Cam Yoke	35	1J620	Screw
10	1J703	Cam	36	1J716	Roll Pin
11	1J704	Steel Ball	37	1J717	Head Cover
12	1J705	Cam Ball Pilot	38	1J718	Reverse Valve Bushing
13	1J706	Ball Bearing	39	1J719	Regulator Bushing (2)*
14	1J707	Oil Seal	40	1J720	"O" Ring (2)*
15	1J708	Front End Plate	41	1J721	Regulator (A)
16	1J709	Rotor	42	1J722	Spring (2)*
17	1J710	Rotor Blade (Set of 6)	43	1J723	Steel Ball (2)*
18	1J711	Cylinder	44	1J724	Regulator (B)
19	1J712	Roll Pin	45	1J725	Reverse Valve Knob
20	1J713	Roll Pin	46	1J726	Roll Pin
21	1J714	Rear End Plate	47	1J727	Gasket
22	1J635	Ball Bearing	48	1J728	Gasket
23	1J715	Motor Housing	49	1J637	Spring Washer (8)*
25	1J625	Bushing	50	1J729	Screw (8)*
26	1J623	Exhaust Cover	51	1J492	"O" Ring
27	1J624	Screw	52	1J616	Socket Retaining Ring

*Order Quantity As Needed

SIOUX TOOLS INC.

2901 FLOYD BOULEVARD ■ SIOUX CITY, IOWA 51102 ■

This pdf incorporates the following model numbers:

7019