



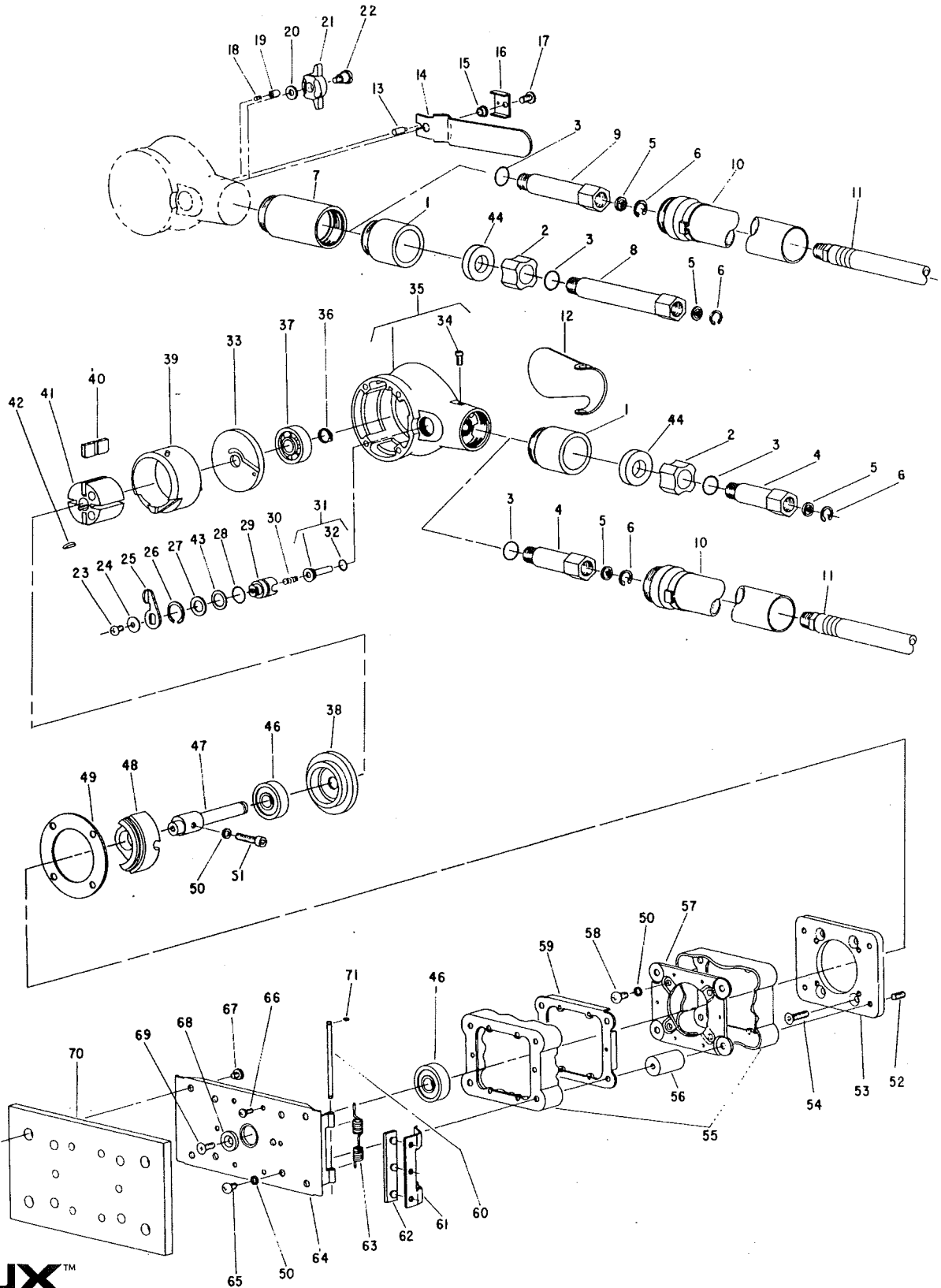
NOTE: Parts are no longer available for this tool.

The manual will continue on the next page.



PARTS LIST FOR ORBITAL SANDER 602 & 630 INCLUDES H, T, & X SUFFIXES (SERIAL "C")

Form A1071B
Date 8-96



**SIoux™
TOOLS INC.**

2901 FLOYD BOULEVARD ■ PO BOX 507 ■ SIOUX CITY, IOWA 51102-0507 ■

Printed In U.S.A.



PARTS LIST FOR ORBITAL SANDER 602 & 630 INCLUDES H, T, & X SUFFIXES (SERIAL "C")

Fig. No.	Part No.	Description
1.	64129	Housing—Muffler
2.	04328	Spacer
3.	14309	Ring—"O" (1/16 x 1/2 x 5/8)
4.	64131	Adapter—Intake
5.	30463	Screen
6.	21541	Ring—Retainer
7.	64130	Handle
8.	64124	Adapter—Intake (Long)
9.	64137	Adapter—Intake (Remote Exhaust)
10.	63561	Ass'y—Exhaust Tube
11.	1376	Ass'y—Air Hose
12.	35633	Lever—Valve (Palm Grip)
13.	54130	Pin
14.	35842	Lever—Valve
15.	64143	Sleeve
16.	35851	Cover
17.	07225	Screw—Phil. Pan Hd. #10-32 x 3/8
18.	21392	Spring
19.	44753	Plunger—Location
20.	35234	Washer (4)* [(5)* When Used With Thumb Throttle]
21.	11603	Throttle—Thumb
22.	44763	Screw—Shoulder
23.	06672	Screw—Phil. Rd. Hd. #8-32 x 1/4"
24.	41336	Washer—Belleville
25.	35634	Lever—Output Control
26.	21826	Ring—Retaining
27.	25680	Washer
28.	14312	Ring—"O" (1/16 x 7/16 x 9/16)
29.	64132	Control—Output
30.	21211	Spring
31.	63575	Stem—Valve
32.	65289	Ring—"O" (1/16 x 1/4 x 3/8)
33.	64212	Plate—Upper End
34.	06205	Screw—Fillister Hd. #6-32 x 5/16 (2)* Taptite
35.	63574	Housing [Also Includes (2) Fig. 34 & (4) Fig. 54]
36.	21545	Ring—Retaining
37.	10113	Bearing—Ball
38.	64126	Plate—End

Fig. No.	Part No.	Description
39.	64125	Cylinder
40.	33597	Vane—Rotor (Set of 4)
41.	64122	Rotor
42.	30001	Key—Woodruff
43.	41338	Washer—Wave
44.	05049	Pad—Silencer
46.	10210	Bearing—Ball (2)*
47.	64138	Spindle—Rotor
48.	11371	Counterweight
49.	05038	Gasket
50.	09724	Washer—Lock #10 (9)*
51.	07093	Screw—Hex Socket Hd. Cap #10-32 X 7/8
52.	07176	Screw—Hex Socket Cup Pt. Set #10-32 x 1/2 (4)*
53.	64139	Plate—Adapter
54.	07262	Screw—Flat Hd. C' Sunk #10-32 x 5/8 (Taptite)(4)*
55.	14332	Boot—Flexible
56.	43682	Mounting—Flexible (Set of 4)
57.	35105	Plate—Motor Retainer
58.	07225	Screw—Phil. Pan Hd. #10-32 x 3/8 (4)*
59.	33558	Ass'y—Boot Retainer
60.	64144	Pin (2)* [Includes (2) Fig. 71]
61.	35853	Clamp (2)*
62.	04330	Pad (2)*
63.	41337	Spring—Torsion (2)*
64.	63571	Ass'y—Sole Plate
65.	07208	Screw—Phil. Rd. Hd. Cone Pt. #10-32 x 3/8 (4)*
66.	06240	Screw—Phil. Rd. Hd. Sems #6-32 x 3/8 (6)*
67.	07203	Screw—Phil. Rd. Hd. Sems #10-32 x 1/4 (4)*
68.	34970	Washer
69.	07169	Screw—Phil. Flat Hd. #10-32 x 1/2
70.	63566	Ass'y—Rubber Pad (3 2/3" x g")(630)
	33559	Ass'y—Rubber Pad (3" x 8")(602)
71.	21499	Ring—Retaining (2)*

*Order Quantity As Required

FURNISH CATALOG, SERIAL, AND MODEL NUMBER
WHEN ORDERING PARTS

**SIoux™
TOOLS INC.**

2901 FLOYD BOULEVARD ■ PO BOX 507 ■ SIOUX CITY, IOWA 51102-0507 ■

Printed In U.S.A.

This pdf incorporates the following model numbers:

602, 630