



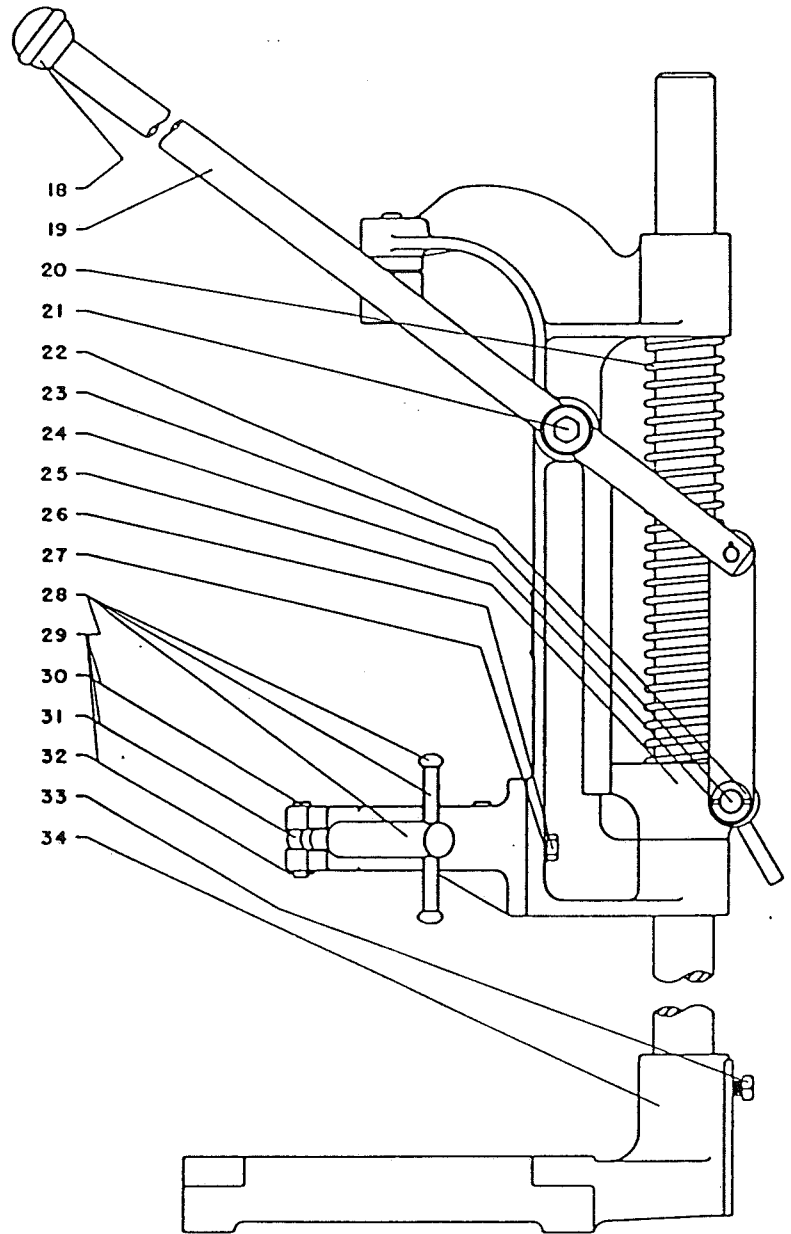
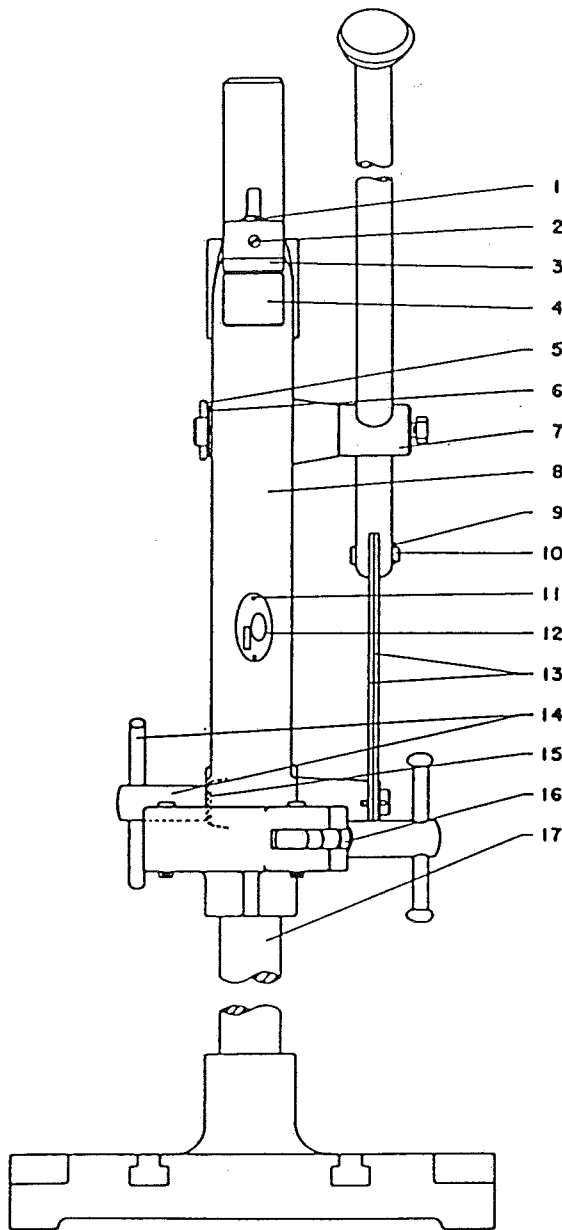
**NOTE: Parts are no longer available for this tool.**

**The manual will continue on the next page.**



# 3/4" DRILL STAND

NO. 1580



**SIoux**  
**TOOLS INC.**

2901 FLOYD BOULEVARD ■ SIOUX CITY, IOWA 51102 ■

PARTS LIST  
FOR  
1580 DRILL STAND

FIG- URE	PART NO.	NAME
1.	08093	Screw-Phil. Hd. 1/4" x 1-1/2"
2.	08581	Screw-Allen Cup Pt. Set
3.	34079	Socket
4.	34080	Socket-Extension
5.	30131	Pin-Cotter 5/32" x 1"
6.	25111	Washer-Swivel Handle
7.	34048	Swivel-Handle
8.	11247	Bracket
9.	30117	Pin-Cotter 3/32" x 3/4"
10.	24571	Pin-Handle
11.	09955	Screw-Drive #4x3/16" (2)*
12.	20129	Plate-Name
13.	25661	Link-Connecting (2)*
14.	23559	Ass'm-Column Clamp Lock Nut
15.	25152	Washer 1/16"
16.	25668	Washer 7/8"
17.	34057	Column
18.	14010	Grip-Ball
19.	34058	Handle
20.	21319	Spring
21.	09102	Screw-Hex. Hd. Cap 3/8"-16 x 5/8"
22.	25206	Washer
23.	34068	Bolt-Column Clamp 5/8"
24.	30341	Roll Pin, 1/8" x 1-1/8"
25.	11236	Clamp-Column
26.	09105	Screw-Hex. Hd. Cap (2)*
27.	09789	Washer-Lock 3/8" x 1/8" x 3/32" (2)*
28.	23653	Ass'm-Tee Handle
29.	23699	Ass'm-Drill Nose Clamp
30.	34078	Pin-Drill Support 7/16" (2)*
31.	34077	Screw-Eye 7/8"
32.	30006	Pin-Cotter 3/32" x 1/2" (2)*
33.	09220	Screw-Sq. Hd. Cup Point Set
34.	11237	Base

\*ORDER QUANTITY AS NEEDED

SIOUX TOOLS INC.  
Sioux City, Iowa U.S.A.  
12/28/88

This pdf incorporates the following model numbers:

1580