

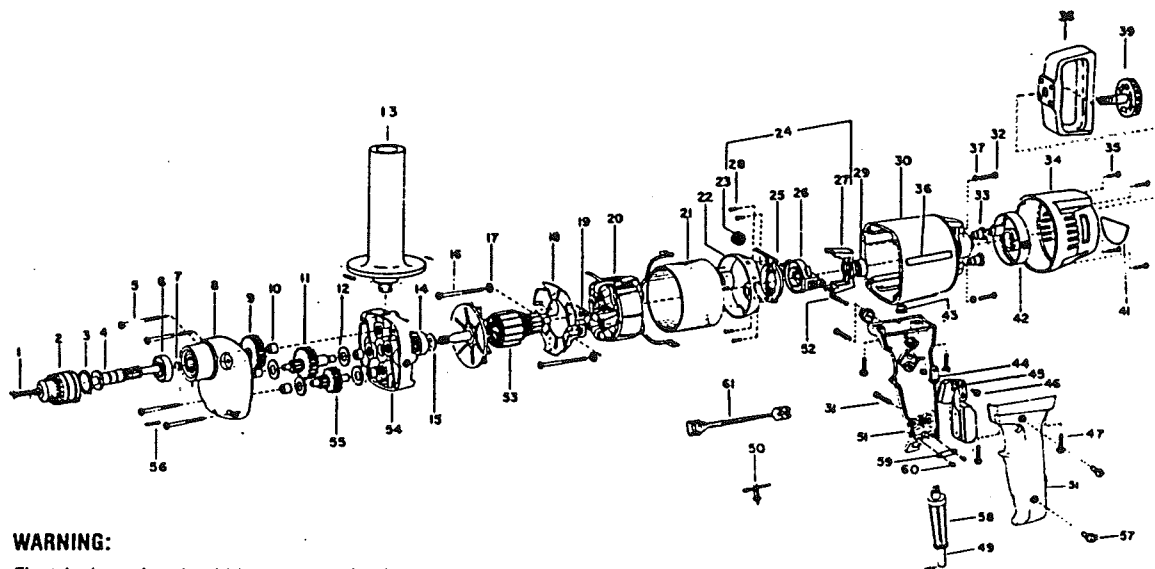


NOTE: Parts are no longer available for this tool.

The manual will continue on the next page.



8110 JV 1/2" REV. ELECTRIC DRILL



WARNING:

Electrical repairs should be attempted only by authorized trained repairmen. Consult your service center listing for your nearest SIOUX Authorized Service Center.

Fig-ure	Part No.	Name	Fig-ure	Part No.	Name
1	08177	Screw	31	06596	Screw (2)*
2	21136	Chuck	32	06595	Screw (2)*
3	21815	Retaining Ring	33	04009	Insulating Bushing (2)*
4	22689	Spindle	34	04013	Back Cap
5	07246	Screw (4)*	35	07244	Screw (4)*
6	10123	Bearing	36	20809	Decal—Strip (2)*
7	21816	Retaining Ring	37	09836	Lock Washer (2)*
8	12665	Gear Case	38	04012	Spade Handle
9	19254	Spindle Gear	39	04010	Knob
10	10089	Needle Bearing (5)*	41	20838J	Nameplate,
11	19351	2nd Intermediate Gear	42	28171	Reversing Ring
12	35738	Fibre Washer (4)*	43	04016	Lead Insulating Bushing
13	63348	Side Handle	44	04008	Switch Spacer
14	10210	Ball Bearing	45	18230	Switch
15	35730	Spacer	46	06660	Screw
16	07243	Screw (2)*	47	07245	Screw (4)*
17	09724	Lock Washer (2)*	49	18462	Cord
18	04019	Baffle Assy.	50	30011	Chuck Key
	54929	Bushing (2)*	51	04022	Handle Assy.
20	28964 J	Field		13321	Inserts (2)*
21	05056	Insulating Sleeve	52	18023	Brush—Motor (Pair)
22	04002	Frame Insulator	53	28966 J	Armature
23	18109	Brush Holder Cap (2)*	54	63345	Separator
24	28165	Brush Holder Ring Assy.	55	19350	1st Intermediate Gear
25	28169	Support Cover Assy.	56	40145	Roll Pin
26	28172	Brush Holder Ring	57	54930	Nut (2)*
27	28170	Support	58	04303	Cord Guard
28	06125	Screw (4)*	59	35726	Cord Clamp
29	10931	Ball Bearing	60	06241	Screw (2)
30	12664	Frame	61	04305	Key Holder

*Order Quantity As Needed

**SIOUX
TOOLS INC.**

2901 FLOYD BOULEVARD ■ SIOUX CITY, IOWA 51102 ■

PRINTED IN U.S.A.

This pdf incorporates the following model numbers:

8110JV