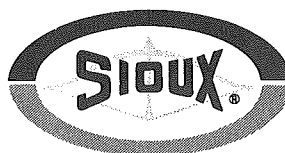




NOTE: Parts are no longer available for this tool.

The manual will continue on the next page.



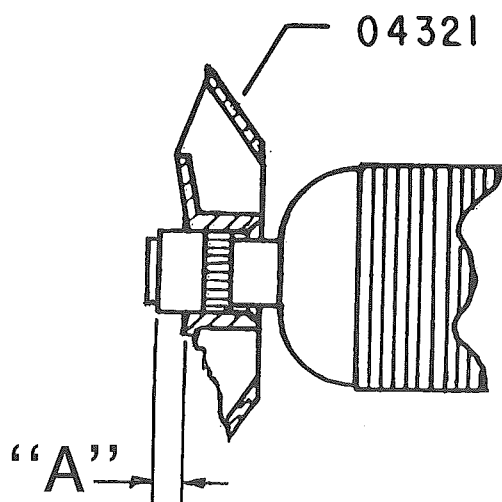
INSTRUCTIONS FOR INSTALLING FAN ON ARMATURE 1200DI, 1203DI, 1216DI, 1267DI & 1274A THRU 1279A

Remove armature assembly from gear case, per enclosed instructions

Remove the pinion & the front bearing

Remove the metal fan from the armature

Press the plastic fan onto the shaft to the dimension shown*



MODEL	DIMENSION "A"
1200DI 1203DI 1216DI 1267DI	.230" to .210"
1274A 1275A 1276A 1277A 1279A	.185" to .165"

Install pinion & front bearing

Install armature assembly into gear case, per enclosed instructions, taking care to avoid direct heat on the plastic fan

*For proper positioning of fan, use repair fixture #RF695.

**SIoux
TOOLS INC.**

2901 FLOYD BOULEVARD ■ SIOUX CITY, IOWA 51102 ■

This pdf incorporates the following model numbers:

1200DI, 1203DI, 1216DI, 1267DI, 1274A, 1275A, 1276A, 1277A, 1278A, 1279A