

# Sioux Signature Series Sanders

**S-Curve Lever**  
fits hand better than competitors' flat levers.



**Lock Rings**  
Color indicates orbit:  
Red - Fine, 3/32" Orbit  
Black - Fine, 3/16" Orbit  
Gray - Fine, 3/8" Orbit

## 60 Models available plus vacuum conversion kits

**Interior Notches**  
Allow many positions yet prevent grip from inadvertently rotating



### FEATURES & BENEFITS

- Patented Bearing Dust Shield and O-Ring Sealed Motor
- Super Ergonomic Grip
- Ergonomic S-Curved Lever
- Orbit-Identifying Lock Rings
- Easier Servicing

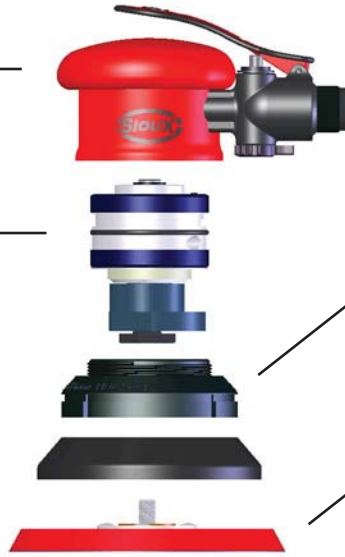
### STANDARD OPTIONS

- 12,000 RPM, .25 HP, Low Vibration, Low Air Consumption
- 3 Orbits:
  - Fine – 3/32"
  - Standard – 3/16"
  - Coarse – 3/8"
- 4 Pad Sizes:
  - 3" & 3-1/2" (80 grams)
  - 5" (100 grams)
  - 6" (130 grams)
- Vacuum:
  - Standard (No Vacuum)
  - Remote (Central Vacuum)
  - Venturi (Self-Generated Vacuum)
- Pad Type:
  - Pressure Sensitive Adhesive (PSA)
  - Hook and Loop

**Housings**  
Sioux Patent-Pending Features

**Pneumatic Motors**  
12,000 RPM  
Orbits: 3/32", 3/16", 3/8"

**Shrouds**  
Standard and Vacuum  
Large and Small



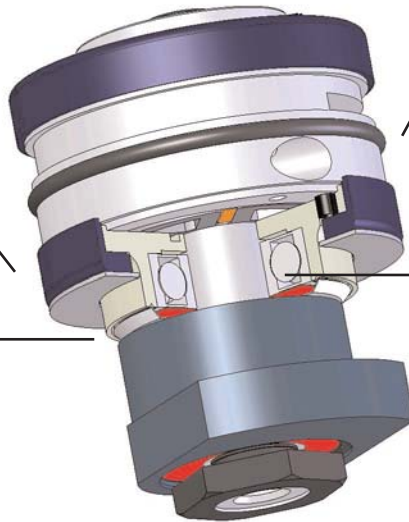
**Lock Rings**  
Different color Lock Rings to indicate orbit

**High Quality Sioux Pads**  
Standard and Vacuum  
PSA and Hook & Loop  
3", 3-1/2", 5", 6"

## Motor Details

**Dual Vibration Dampeners**  
Isolates motor vibration from housing  
Seals air passages

**Metal Dust Shield**  
Rides in groove in lower endplate forming labyrinth seal  
Retains red fiber washer to shield lower motor bearing from dust and grit



**Circumferential O-Ring**  
Simplifies motor sealing, especially during installation  
Seals air passages

**Large Lower Motor Bearing**  
Longer Life

Shaft key clears endplate during disassembly -  
*Cannot broach endplate during disassembly*



**siouxtools.com**



250 Snap-on Drive  
P.O. Box 1596  
Murphy, North Carolina USA 28906  
PH: 828.835.9765  
FAX: 828.835.9685  
TOLL FREE: 866.259.7291  
TOLL FREE FAX: 800.722.7236