

Tools for the way you work.

For nearly a century Sioux has been making tools that make sense. As a pioneer of industrial pneumatic and handheld power tools, we've been outfitting professional craftsmen like you since 1914; pros who know what they need and refuse to settle for less.

Today, Sioux is a trusted supplier of quality-built tools for the world's most demanding industrial manufacturing, assembly and finishing operations. As a member of the Snap-On family of industrial tools, we provide the worldwide distribution and support you expect from an industry leader.

For more information on the new Geared Orbital Sander from Sioux, or any of our more than 800 industrial tools, visit us at www.siouxtools.com. To find your nearest distributor of Sioux Tools, call 800-722-7290.

MODEL **GO459 SERIES** SPECIFICATIONS

MODEL NUMBER		Power		Free Speed	Pad Size	Weight		Height	Air Consumption		Sound Level		
PSA Pad	H & L Pad	hp	kw	rpm	in	mm	lb	kg	in	mm	cfm	l/s	dB(A)
Non-Vacuum													
GO459-60SNP	GO459-60SNH	.45	.34	1000	6	150	4.4	2	5	127	15	7	82
GO459-80SNP	GO459-80SNH	.45	.34	1000	8	200	4.4	2	5	127	15	7	82
Remote Vacuum													
GO459-60SRP	GO459-60SRH	.45	.34	1000	6	150	4.4	2	5	127	15	7	82
GO459-80SRP	GO459-80SRH	.45	.34	1000	8	200	4.4	2	5	127	15	7	82

GENERAL	
Variable Speed	0 - 1000 RPM
Handle	Thermal Plastic Rubber Overmoulding
Pad Diameter Options	6" (150mm) or 8" (200mm)
Pad Type Options	PSA or Hook & Loop
Air Inlet Size	1/4" NPT
Vacuum Options	Non-Vacuum or Remote Vacuum
Exhaust Type	Rear Muffler
Recommended Hose Size	3/8" (10mm)
Performance Rating	90 psig (6.2 bar) Air Pressure

Eye protection must be worn while operating power tools.

Australia

Tel: 61 (0) 2 9837 9100
 Fax: 61 (0) 2 9624 2578
 e-mail:
SOTA.customerservice@snapon.com

Benelux

Tel: (N) 31 (0) 20 568 26 64
 (B) 32 (0) 14 23 19 67
 Fax: (N) 31 (0) 20 568 26 60
 (B) 32 (0) 14 23 26 27
 e-mail: snap@snap-on.nl

China

Tel: 86-10-6581-4445
 Fax: 86-10-6581-1144

Germany

Tel: 49 2104 9509-0
 Fax: 49 2104 9509-99
 e-mail:
snapon.industrial@snapon.com

Italy

Tel: 00 39 02 66 04 53 70
 Fax: 00 39 02 61 29 78 15
 e-mail: indus.italia@snapon.com

Japan

Tel: 81-3-5534-1294
 Fax: 81-3-5463-1284

Latin America

Tel: 305-670-1906
 Fax: 305-670-1908
 e-mail:
latinamerica.caribbean@snapon.com

Singapore

Tel: 65-6459-2712
 Fax: 65-6451-5574

United Kingdom

Tel: 44 (0) 1536-413904
 Fax: 44 (0) 1536-413874
 e-mail:
industrialuk@snapon.com



For the way you work

250 Snap-on Drive
 P.O. Box 1596
 Murphy, North Carolina USA 28906
 PH: 828.835.9765
 FAX: 828.835.9685
 TOLL FREE: 866.259.7291
 TOLL FREE FAX: 800.722.7236
www.siouxtools.com



FORM# ZML0124
 PRINTED IN USA
 7/09

SANDER S E R I E S



INTRODUCING... The Geared Orbital Sander from Sioux Tools

The Natural Fit for Rough
Removal and Smooth Sanding



It's Rough Out There!

On the edge or across the top, from feathering to aggressive leveling, Sioux's Geared Orbital Sander is a natural fit for the worst rough spots you have to sand. The sander's new enhanced grip and design make smoothing and leveling easier than ever.

Sioux's 24-position patented grip is asymmetrical and highly adjustable for a very customized fit. The grip rotates in 15-degree increments across a full 360 degrees, so you can adjust it however you like. It's universal, for lefties or righties.

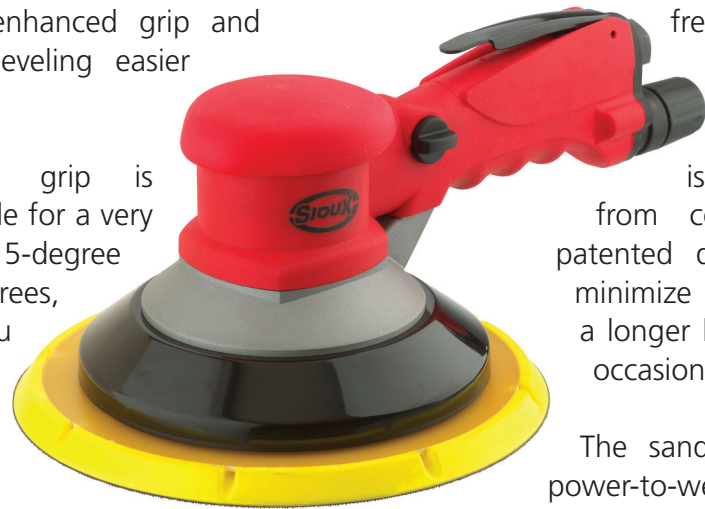
By molding the contour of the lever over the grip, our engineers reduced the force needed to engage the sander.

You can now work more comfortably and with less effort. The ergonomic handle includes molded finger indentations and thermal plastic coating to reduce vibration and improve comfort.

To engage or stop the motor, gently squeeze and release the handle. The balanced four-ball-bearing motor is nearly vibration-free and is built with a precision-machined steel pinion and ring gear. The gearbox is sealed and protected from contaminants by two patented dust-proof washers to minimize maintenance and give a longer life; all they need is an occasional air line lubrication.

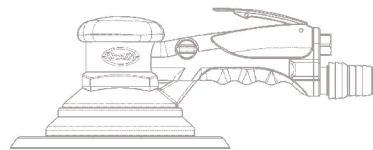
The sander has an impressive power-to-weight ratio, while using only 15 CFM. The rear muffler reduces the operational sound level to a low 82 dB(A).

For feathering and rough applications, the Sioux Geared Orbital Sander means smooth sanding from here on out.



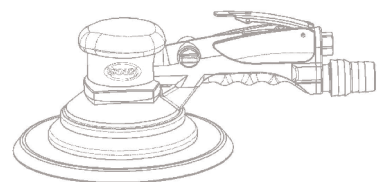
HEAVY-DUTY APPLICATIONS

- Pneumatic power for horizontal or vertical applications
- Precision-machined steel gears for long-lasting performance
- 8-vane motor with life extending dust shield
- One-piece, chemically resistant, thermal plastic rubber handle for tough environments



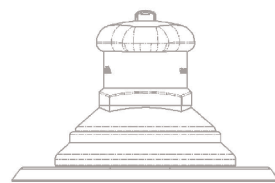
PRECISION DESIGN

- Balanced 4-ball-bearing construction minimizes vibration
- Tapered edge pad provides flexibility and consistency
- Excellent power-to-weight ratio
- Maintenance-free design requires only air line lubrication



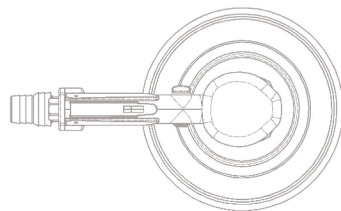
FOCUS ON ERGONOMICS

- 24-position, soft-textured, universal grip rotates across a full 360 degrees in 15-degree increments
- Ergonomic, insulated handle with molded finger indentations
- Overmolded handle and polyurethane pads to reduce vibration
- Lever-type throttle for easy engagement & reduced fatigue
- Rear exhaust directs air away from operator



8-MODEL FLEXIBILITY

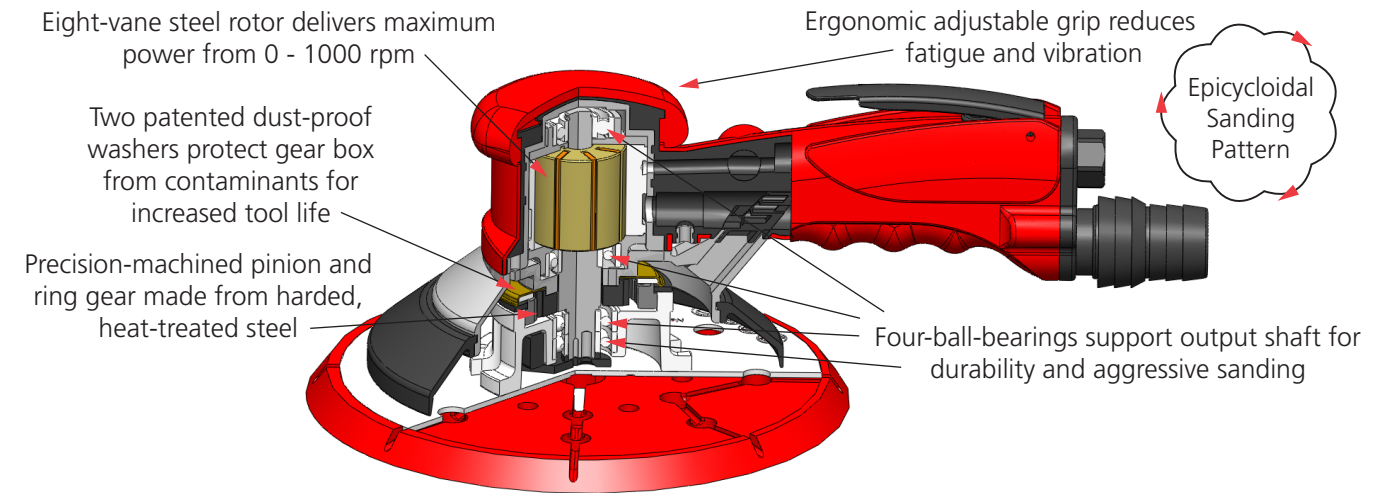
- Choose from 6" or 8" pad size
- Optional hook & loop or PSA pad
- Available with or without vacuum for easy connections with the Sioux universal hose connector
- Built-in regulator adjusts speeds up to 1000 rpm



NUMEROUS USES

- Heavy-duty leveling, sanding, blending or feathering
- Industrial applications for wood, metal, marine and solid surfaces

Easy to use.



Easy to choose.

Not only is this sander a natural fit for smoothing out the rough spots, it's also easy to choose the right model. Using the motor and handle as a base, you choose the pad diameter, vacuum option and pad type for your specific application. There are eight combinations to choose from.

The model number of your specific Sioux Geared Orbital Sander reflects the options you choose and are always listed in the following order:

Pad Diameter + Vacuum Option + Pad Type



Pad Diameter			
Code	Pad Dia. (inches)	Metric (mm)	
60	6"	150	GO459-80SRH
80	8"	200	

Vac Option (not laser marked on tool)			
Code	Vac Option		
SN	Standard Non-Vacuum		GO459-80SRH
SR	Remote Central Vacuum		

Pad Type (not laser marked on tool)			
Code	Pad Type		
P	PSA		GO459-60SNH
H	Hook & Loop		

So a GO459-80SRH, for example, refers to an 8" pad diameter, remote central vacuum, and a hook-and-loop pad type.

