



ENGLISH



INSTRUCTIONS FOR 2 1/2 SERIES NUTRUNNERS, SCREWDRIVERS, & DRILLS

Read and understand "**Safety Instructions For Air Tools**" and these instructions before operating this tool.

AIR SUPPLY

The efficiency of the tool is dependent on the proper supply of clean dry air at 90 psig (6.2 bar). The use of a line filter, pressure regulator, and lubricator will insure maximum output and life of tools. Before connecting tool, blow out the air line to remove water and dirt which may have accumulated.

HOSE AND HOSE CONNECTIONS

Supply hose should be not less than 3/8" (10mm) I.D. Extension hoses should be at least 1/2" (13mm) I.D. Use couplings and fittings with at least 3/8" (10mm) I.D.

LUBRICATION

Use SIOUX No. 288 air motor oil. An airline lubricator, set to deliver 2 to 4 drops per minute, is recommended. If a lubricator is not used, add .04 oz. (1.2cc, 12 to 15 drops) of oil into the air inlet twice daily.

Lubricate the gearing every 100 hours of operation with SIOUX No. 289A grease.

Lubricate positive and adjustable clutches every 40 hours with SIOUX No. 1232A grease.

GENERAL OPERATION

The air motor is started by depressing the operating lever or trigger. Motor speed may be controlled by adjusting the slotted head control which is located on the tool housing or on some models on the trigger surface.



On reversing tools, the direction of spindle rotation is controlled by the reversing button. When the button is depressed, the spindle rotates counterclockwise. Always depress the button fully to obtain full power. The reversing button on some models can be locked in the reverse direction by fully depressing and rotating the button clockwise.

Clutch Operation Information

Screw Drivers And Nut Runners

- STALL DRIVE** Spindle turns with motor. Motor stalls when fastener is tight.
- DIRECT CLUTCH** Spindle doesn't turn with motor. Pressure on spindle engages straight jaws to turn spindle. Motor stalls when fastener is tight.
- POSITIVE CLUTCH-ANGULAR JAW** Spindle doesn't turn with motor. Pressure on spindle engages angular jaws to turn spindle. Clutch ratchets when certain tightness is reached. Torque on the fastener is determined by how hard the operator pushes on the tool.
- POSITIVE CLUTCH ROLLER JAWS** Similar to angular jaw except 4 rollers engage angular teeth. Ratchets faster and blow not as hard.
- ADJUSTABLE CLUTCH** Spindle doesn't turn with motor. Pressure on spindle engages the clutch, causing the spindle to turn. When fastener reaches a preset torque, clutch will ratchet. Adjusting spring pressure will change torque.

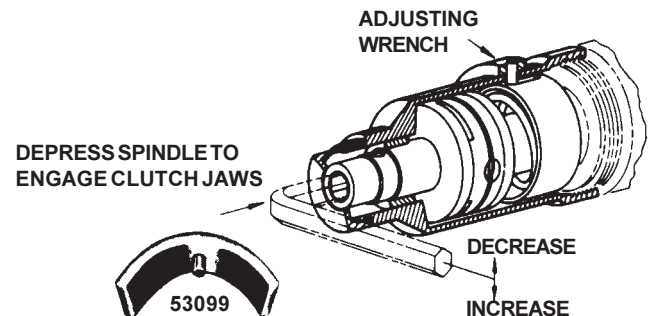
Adjustment of Adjustable Clutch

ABOVE 25 INCH POUNDS

To adjust clutch place adjusting wrench (No. 53099) with pin through opening in the clutch case. Place 1/4" (6.4 mm) HEX wrench in the Bit Holder, press in and turn until adjusting wrench falls into the slot of the Nut of the Clutch. Keep Bit Holder depressed in with HEX Wrench and turn clockwise to **increase** and counterclockwise to **decrease** Torque.

BELOW 25 INCH POUNDS CHANGE TO GREEN SPRING NO. 41284

Again place adjusting wrench in position as for the higher Torque, but place a screw driver blade through the bit holder opening until in contact with the slot at the far end. Rotate screw driver until adjusting wrench falls into place, again rotate screw driver clockwise to **increase** and counterclockwise to **decrease** Torque.



SIOUX TOOLS INC.

250 SNAP-ON DRIVE ■ PO BOX 1596 ■ MURPHY, NC 28906 ■ USA ■

Printed In U.S.A.

**SIOUX 2 1/2 SERIES
NUT-RUNNERS AND SCREWDRIVERS
DECLARATION OF CONFORMITY**

We, Sioux Tools Inc., 250 Snap-on Drive, P.O. Box 1596, Murphy, NC, 28906, USA,
declare under our sole responsibility that the products

2L1101	2P1101	2L1102	2P1102	2L1103	2P1103	2L1104	2P1104	2L1105	2P1105	2L1106	2P1106	2L1107	2P1107
2L1201	2P1201	2L1202	2P1202	2L1203	2P1203	2L1204	2P1204	2L1205	2P1205	2L1206	2P1206	2L1207	2P1207
2L1301	2P1301	2L1302	2P1302	2L1303	2P1303	2L1304	2P1304	2L1305	2P1305	2L1306	2P1306	2L1307	2P1307
												2L1407	2P1407
2L1501	2P1501	2L1502	2P1502	2L1503	2P1503	2L1504	2P1504	2L1505	2P1505	2L1506	2P1506	2L1507	2P1507
2L1601	2P1601	2L1602	2P1602	2L1603	2P1603	2L1604	2P1604	2L1605	2P1605	2L1606	2P1606	2L1607	2P1607
2L2101	2P2101	2L2102	2P2102	2L2103	2P2103	2L2104	2P2104	2L2105	2P2105	2L2106	2P2106	2L2107	2P2107
2L2201	2P2201	2L2202	2P2202	2L2203	2P2203	2L2204	2P2204	2L2205	2P2205	2L2206	2P2206	2L2207	2P2207
2L2301	2P2301	2L2302	2P2302	2L2303	2P2303	2L2304	2P2304	2L2305	2P2305	2L2306	2P2306	2L2307	2P2307
												2L2407	2P2407
2L2501	2P2501	2L2502	2P2502	2L2503	2P2503	2L2504	2P2504	2L2505	2P2505	2L2506	2P2506	2L2507	2P2507
2L2601	2P2601	2L2602	2P2602	2L2603	2P2603	2L2604	2P2604	2L2605	2P2605	2L2606	2P2606	2L2607	2P2607
2LX1101	2PX1101	2LX1102	2PX1102	2LX1103	2PX1103	2LX1104	2PX1104	2LX1105	2PX1105	2LX1106	2PX1106	2LX1107	2PX1107
2LX1201	2PX1201	2LX1202	2PX1202	2LX1203	2PX1203	2LX1204	2PX1204	2LX1205	2PX1205	2LX1206	2PX1206	2LX1207	2PX1207
2LX1301	2PX1301	2LX1302	2PX1302	2LX1303	2PX1303	2LX1304	2PX1304	2LX1305	2PX1305	2LX1306	2PX1306	2LX1307	2PX1307
												2LX1407	2PX1407
2LX1501	2PX1501	2LX1502	2PX1502	2LX1503	2PX1503	2LX1504	2PX1504	2LX1505	2PX1505	2LX1506	2PX1506	2LX1507	2PX1507
2LX1601	2PX1601	2LX1602	2PX1602	2LX1603	2PX1603	2LX1604	2PX1604	2LX1605	2PX1605	2LX1606	2PX1606	2LX1607	2PX1607
2LX2101	2PX2101	2LX2102	2PX2102	2LX2103	2PX2103	2LX2104	2PX2104	2LX2105	2PX2105	2LX2106	2PX2106	2LX2107	2PX2107
2LX2201	2PX2201	2LX2202	2PX2202	2LX2203	2PX2203	2LX2204	2PX2204	2LX2205	2PX2205	2LX2206	2PX2206	2LX2207	2PX2207
2LX2301	2PX2301	2LX2302	2PX2302	2LX2303	2PX2303	2LX2304	2PX2304	2LX2305	2PX2305	2LX2306	2PX2306	2LX2307	2PX2307
												2LX2407	2PX2407
2LX2501	2PX2501	2LX2502	2PX2502	2LX2503	2PX2503	2LX2504	2PX2504	2LX2505	2PX2505	2LX2506	2PX2506		
2LX2601	2PX2601	2LX2602	2PX2602	2LX2603	2PX2603	2LX2604	2PX2604	2LX2605	2PX2605	2LX2606	2PX2606		

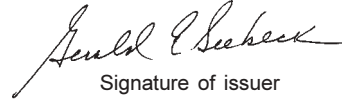
including "A, AB, AD, AM, AQ, B, D, DS, M, Q, SB" suffixes

to which this declaration relates are in conformity with the following standard or standards or other normative document or documents:

EN 792(draft), EN 292 Parts 1&2, ISO 8662, Pneurop PN8NTC1
following the provisions of
89/392/EEC as amended by 91/368/EEC & 93/44/EC Directives.

June 1, 2003
Murphy, North Carolina, USA
Date and place of issues

Gerald E. Seebeck
President
Sioux Tools Inc.
Name and position of issuer


Signature of issuer

**SIOUX 2 1/2 SERIES DRILLS
DECLARATION OF CONFORMITY**

We, Sioux Tools Inc., 250 Snap-on Drive, P.O. Box 1596, Murphy, NC, 28906, USA,
declare under our sole responsibility that the products

2L1110	2P1110	2L1120	2P1120	2L1130	2P1130	2L1140	2P1140	2L1170	2P1170	2L1180	2P1180
2L1210	2P1210			2L1230	2P1230	2L1240	2P1240	2L1270	2P1270	2L1280	2P1280
2L1310	2P1310			2L1330	2P1330	2L1340	2P1340	2L1370	2P1370	2L1380	2P1380
2L1410	2P1410			2L1430	2P1430	2L1440	2P1440	2L1470	2P1470	2L1580	2P1580
2L1510	2P1510	2L1520	2P1520	2L1530	2P1530	2L1540	2P1540	2L1570	2P1570	2L1680	2P1680
2L1610	2P1610			2L1630	2P1630	2L1640	2P1640	2L1670	2P1670		
2L1910	2P1910			2L1930	2P1930	2L1940	2P1940	2L1970	2P1970		
2L2110	2P2110	2L2120	2P2120	2L2130	2P2130						
2L2210	2P2210			2L2230	2P2230						
2L2310	2P2310			2L2330	2P2330						
2L2410	2P2410			2L2430	2P2430						
2L2510	2P2510	2L2520	2P2520	2L2530	2P2530						
2L2610	2P2610			2L2630	2P2630						
2L2910	2P2910			2L2930	2P2930						
2LX1110	2PX1110	2LX1120	2PX1120	2LX1130	2PX1130	2LX1140	2PX1140	2LX1170	2PX1170	2LX1180	2PX1180
2LX1210	2PX1210			2LX1230	2PX1230	2LX1240	2PX1240	2LX1270	2PX1270	2LX1280	2PX1280
2LX1310	2PX1310			2LX1330	2PX1330	2LX1340	2PX1340	2LX1370	2PX1370	2LX1380	2PX1380
2LX1410	2PX1410			2LX1430	2PX1430	2LX1440	2PX1440	2LX1470	2PX1470	2LX1580	2PX1580
2LX1510	2PX1510	2LX1520	2PX1520	2LX1530	2PX1530	2LX1540	2PX1540	2LX1570	2PX1570	2LX1680	2PX1680
2LX1610	2PX1610			2LX1630	2PX1630	2LX1640	2PX1640	2LX1670	2PX1670		
2LX1910	2PX1910			2LX1930	2PX1930	2LX1940	2PX1940	2LX1970	2PX1970		
2LX2110	2PX2110	2LX2120	2PX2120	2LX2130	2PX2130						
2LX2210	2PX2210			2LX2230	2PX2230						
2LX2310	2PX2310			2LX2330	2PX2330						
2LX2410	2PX2410			2LX2430	2PX2430						
2LX2510	2PX2510	2LX2520	2PX2520	2LX2530	2PX2530						
2LX2610	2PX2610			2LX2630	2PX2630						
2LX2910	2PX2910			2LX2930	2PX2930						

to which this declaration relates are in conformity with the following standard or standards or other normative document or documents:

EN 792(draft), EN 292 Parts 1&2, ISO 8662, Pneurop PN8NTC1
following the provisions of
89/392/EEC as amended by 91/368/EEC & 93/44/EC Directives.

June 1, 2003
Murphy, North Carolina, USA
Date and place of issues

Gerald E. Seebeck
President
Sioux Tools Inc.
Name and position of issuer


Signature of issuer

SOUND AND VIBRATION READINGS

2 ½ Lever handle screwdrivers and nut-runners									
Catalog No.							*Sound pressure dBA	*Sound power dBA	**Vibration m/s ²
2L1101	2L1102	2L1103	2L1104	2L1105	2L1106	2L1107	82.1	94.8	Less than 2.5
2L1201	2L1202	2L1203	2L1204	2L1205	2L1206	2L1207	82.1	94.8	Less than 2.5
2L1301	2L1302	2L1303	2L1304	2L1305	2L1306	2L1307	82.1	94.8	Less than 2.5
						2L1407	82.1	94.8	Less than 2.5
2L1501	2L1502	2L1503	2L1504	2L1505	2L1506	2L1507	82.1	94.8	Less than 2.5
2L1601	2L1602	2L1603	2L1604	2L1605	2L1606	2L1607	82.1	94.8	Less than 2.5
2L2101	2L2102	2L2103	2L2104	2L2105	2L2106	2L2107	82.1	94.8	Less than 2.5
2L2201	2L2202	2L2203	2L2204	2L2205	2L2206	2L2207	82.1	94.8	Less than 2.5
2L2301	2L2302	2L2303	2L2304	2L2305	2L2306	2L2307	82.1	94.8	Less than 2.5
						2L2407	82.1	94.8	Less than 2.5
2L2501	2L2502	2L2503	2L2504	2L2505	2L2506	2L2507	82.1	94.8	Less than 2.5
2L2601	2L2602	2L2603	2L2604	2L2605	2L2606	2L2607	82.1	94.8	Less than 2.5
2LX1101	2LX1102	2LX1103	2LX1104	2LX1105	2LX1106	2LX1107	82.1	94.8	Less than 2.5
2LX1201	2LX1202	2LX1203	2LX1204	2LX1205	2LX1206	2LX1207	82.1	94.8	Less than 2.5
2LX1301	2LX1302	2LX1303	2LX1304	2LX1305	2LX1306	2LX1307	82.1	94.8	Less than 2.5
						2LX1407	82.1	94.8	Less than 2.5
2LX1501	2LX1502	2LX1503	2LX1504	2LX1505	2LX1506	2LX1507	82.1	94.8	Less than 2.5
2LX1601	2LX1602	2LX1603	2LX1604	2LX1605	2LX1606	2LX1607	82.1	94.8	Less than 2.5
2LX2101	2LX2102	2LX2103	2LX2104	2LX2105	2LX2106	2LX2107	82.1	94.8	Less than 2.5
2LX2201	2LX2202	2LX2203	2LX2204	2LX2205	2LX2206	2LX2207	82.1	94.8	Less than 2.5
2LX2301	2LX2302	2LX2303	2LX2304	2LX2305	2LX2306	2LX2307	82.1	94.8	Less than 2.5
						2LX2407	82.1	94.8	Less than 2.5
2LX2501	2LX2502	2LX2503	2LX2504	2LX2505	2LX2506		82.1	94.8	Less than 2.5
2LX2601	2LX2602	2LX2603	2LX2604	2LX2605	2LX2606		82.1	94.8	Less than 2.5

SOUND AND VIBRATION READINGS

2 ½ Pistol handle screwdrivers and nut-runners									
Catalog No.							*Sound pressure dBA	*Sound power dBA	**Vibration m/s ²
2P1101	2P1102	2P1103	2P1104	2P1105	2P1106	2P1107	81.8	94.5	Less than 2.5
2P1201	2P1202	2P1203	2P1204	2P1205	2P1206	2P1207	81.8	94.5	Less than 2.5
2P1301	2P1302	2P1303	2P1304	2P1305	2P1306	2P1307	81.8	94.5	Less than 2.5
						2P1407	81.8	94.5	Less than 2.5
2P1501	2P1502	2P1503	2P1504	2P1505	2P1506	2P1507	81.8	94.5	Less than 2.5
2P1601	2P1602	2P1603	2P1604	2P1605	2P1606	2P1607	81.8	94.5	Less than 2.5
2P2101	2P2102	2P2103	2P2104	2P2105	2P2106	2P2107	81.8	94.5	Less than 2.5
2P2201	2P2202	2P2203	2P2204	2P2205	2P2206	2P2207	81.8	94.5	Less than 2.5
2P2301	2P2302	2P2303	2P2304	2P2305	2P2306	2P2307	81.8	94.5	Less than 2.5
						2P2407	81.8	94.5	Less than 2.5
2P2501	2P2502	2P2503	2P2504	2P2505	2P2506	2P2507	81.8	94.5	Less than 2.5
2P2601	2P2602	2P2603	2P2604	2P2605	2P2606	2P2607	81.8	94.5	Less than 2.5
2PX1101	2PX1102	2PX1103	2PX1104	2PX1105	2PX1106	2PX1107	81.8	94.5	Less than 2.5
2PX1201	2PX1202	2PX1203	2PX1204	2PX1205	2PX1206	2PX1207	81.8	94.5	Less than 2.5
2PX1301	2PX1302	2PX1303	2PX1304	2PX1305	2PX1306	2PX1307	81.8	94.5	Less than 2.5
						2PX1407	81.8	94.5	Less than 2.5
2PX1501	2PX1502	2PX1503	2PX1504	2PX1505	2PX1506	2PX1507	81.8	94.5	Less than 2.5
2PX1601	2PX1602	2PX1603	2PX1604	2PX1605	2PX1606	2PX1607	81.8	94.5	Less than 2.5
2PX2101	2PX2102	2PX2103	2PX2104	2PX2105	2PX2106	2PX2107	81.8	94.5	Less than 2.5
2PX2201	2PX2202	2PX2203	2PX2204	2PX2205	2PX2206	2PX2207	81.8	94.5	Less than 2.5
2PX2301	2PX2302	2PX2303	2PX2304	2PX2305	2PX2306	2PX2307	81.8	94.5	Less than 2.5
						2PX2407	81.8	94.5	Less than 2.5
2PX2501	2PX2502	2PX2503	2PX2504	2PX2505	2PX2506		81.8	94.5	Less than 2.5
2PX2601	2PX2602	2PX2603	2PX2604	2PX2605	2PX2606		81.8	94.5	Less than 2.5

*per PN8NTC1

**per ISO 8662

SOUND AND VIBRATION READINGS

2 ½ series lever drills						*Sound Pressure dBA	*Sound Power dBA	**Vibration m/s ²
Catalog No.								
2L1110	2L1120	2L1130	2L1140	2L1170	2L1180	82.1	94.8	Less than 2.5
2L1210		2L1230	2L1240	2L1270	2L1280	82.1	94.8	Less than 2.5
2L1310		2L1330	2L1340	2L1370	2L1380	82.1	94.8	Less than 2.5
2L1410		2L1430	2L1440	2L1470		82.1	94.8	Less than 2.5
2L1510	2L1520	2L1530	2L1540	2L1570	2L1580	82.1	94.8	Less than 2.5
2L1610		2L1630	2L1640	2L1670	2L1680	82.1	94.8	Less than 2.5
2L1910		2L1930	2L1940	2L1970		82.1	94.8	Less than 2.5
2L2110	2L2120	2L2130				82.1	94.8	Less than 2.5
2L2210		2L2230				82.1	94.8	Less than 2.5
2L2310		2L2330				82.1	94.8	Less than 2.5
2L2410		2L2430				82.1	94.8	Less than 2.5
2L2510	2L2520	2L2530				82.1	94.8	Less than 2.5
2L2610		2L2630				82.1	94.8	Less than 2.5
2L2910		2L2930				82.1	94.8	Less than 2.5
2LX1110	2LX1120	2LX1130	2LX1140	2LX1170	2LX1180	82.1	94.8	Less than 2.5
2LX1210		2LX1230	2LX1240	2LX1270	2LX1280	82.1	94.8	Less than 2.5
2LX1310		2LX1330	2LX1340	2LX1370	2LX1380	82.1	94.8	Less than 2.5
2LX1410		2LX1430	2LX1440	2LX1470		82.1	94.8	Less than 2.5
2LX1510	2LX1520	2LX1530	2LX1540	2LX1570	2LX1580	82.1	94.8	Less than 2.5
2LX1610		2LX1630	2LX1640	2LX1670	2LX1680	82.1	94.8	Less than 2.5
2LX1910		2LX1930	2LX1940	2LX1970		82.1	94.8	Less than 2.5
2LX2110	2LX2120	2LX2130				82.1	94.8	Less than 2.5
2LX2210		2LX2230				82.1	94.8	Less than 2.5
2LX2310		2LX2330				82.1	94.8	Less than 2.5
2LX2410		2LX2430				82.1	94.8	Less than 2.5
2LX2510	2LX2520	2LX2530				82.1	94.8	Less than 2.5
2LX2610		2LX2630				82.1	94.8	Less than 2.5
2LX2910		2LX2930				82.1	94.8	Less than 2.5

SOUND AND VIBRATION READINGS

2 ½ series pistol drills						*Sound Pressure dBA	*Sound Power dBA	**Vibration m/s ²
Catalog No.								
2P1110	2P1120	2P1130	2P1140	2P1170	2P1180	81.8	94.5	Less than 2.5
2P1210		2P1230	2P1240	2P1270	2P1280	81.8	94.5	Less than 2.5
2P1310		2P1330	2P1340	2P1370	2P1380	81.8	94.5	Less than 2.5
2P1410		2P1430	2P1440	2P1470		81.8	94.5	Less than 2.5
2P1510	2P1520	2P1530	2P1540	2P1570	2P1580	81.8	94.5	Less than 2.5
2P1610		2P1630	2P1640	2P1670	2P1680	81.8	94.5	Less than 2.5
2P1910		2P1930	2P1940	2P1970		81.8	94.5	Less than 2.5
2P2110	2P2120	2P2130				81.8	94.5	Less than 2.5
2P2210		2P2230				81.8	94.5	Less than 2.5
2P2310		2P2330				81.8	94.5	Less than 2.5
2P2410		2P2430				81.8	94.5	Less than 2.5
2P2510	2P2520	2P2530				81.8	94.5	Less than 2.5
2P2610		2P2630				81.8	94.5	Less than 2.5
2P2910		2P2930				81.8	94.5	Less than 2.5
2PX1110	2PX1120	2PX1130	2PX1140	2PX1170	2XP1180	81.8	94.5	Less than 2.5
2PX1210		2PX1230	2PX1240	2PX1270	2XP1280	81.8	94.5	Less than 2.5
2PX1310		2PX1330	2PX1340	2PX1370	2XP1380	81.8	94.5	Less than 2.5
2PX1410		2PX1430	2PX1440	2PX1470		81.8	94.5	Less than 2.5
2PX1510	2PX1520	2PX1530	2PX1540	2PX1570	2XP1580	81.8	94.5	Less than 2.5
2PX1610		2PX1630	2PX1640	2PX1670	2XP1680	81.8	94.5	Less than 2.5
2PX1910		2PX1930	2PX1940	2PX1970		81.8	94.5	Less than 2.5
2PX2110	2PX2120	2PX2130				81.8	94.5	Less than 2.5
2PX2210		2PX2230				81.8	94.5	Less than 2.5
2PX2310		2PX2330				81.8	94.5	Less than 2.5
2PX2410		2PX2430				81.8	94.5	Less than 2.5
2PX2510	2PX2520	2PX2530				81.8	94.5	Less than 2.5
2PX2610		2PX2630				81.8	94.5	Less than 2.5
2PX2910		2PX2930				81.8	94.5	Less than 2.5



ANWEISUNGEN FÜR 2 1/2 SERIE MUTTERANZIEHMASCHINEN, SCHRAUBENDREHER & BOHRER

Vor dem Betrieb dieses Werkzeugs lesen Sie bitte diese Anweisungen und die
“Sicherheitsanweisungen für Druckluftwerkzeuge”.

DRUCKLUFTZUFUHR

Die Werkzeugleistung hängt von der ordnungsgemäßen Zufuhr von sauberer, trockener Luft mit einem Druck von 6,2 bar (90 psig) ab. Die Verwendung von Filtern, Druckregulierern und Schmiervorrichtungen gewährleistet eine maximale Werkzeugleistung und -lebensdauer. Vor dem Anschließen des Werkzeugs blasen Sie den Luftschlauch durch, um eventuell vorhandenes Wasser und Schmutz zu entfernen.

SCHLAUCH UND SCHLAUCHANSCHLÜSSE

Der Zufuhrschlauch sollte einen Mindest-Innendurchmesser von 3/8" (10 mm) aufweisen. Verlängerungsschläuche müssen einen Innendurchmesser von mindestens 1/2" (13 mm) haben. Kupplungen und Armaturen müssen ebenfalls einen Mindest-Innendurchmesser von 3/8" (10 mm) aufweisen.

SCHMIERUNG

Verwenden Sie SIOUX Druckluftmotoröl Nr. 288. Es wird eine Luftschlauch-Schmiervorrichtung empfohlen, die 2 bis 4 Tropfen pro Minute abgibt. Wenn keine Schmiervorrichtung eingesetzt wird, füllen Sie täglich zweimal 1,2 ml (0,4 oz, 12 bis 15 Tropfen) in den Drucklufteinlaß.

Schmieren Sie das Getriebe nach jeweils 100 Betriebsstunden mit SIOUX Schmiermittel Nr. 289A.

Schmieren Sie alle positiven und justierbaren Kupplungen alle 40 Stunden mit SIOUX Schmiermittel Nr. 1232A.

ALLGEMEINER BETRIEB

Der Druckluftmotor wird durch Auslösen des Betriebshebels oder Auslösers gestartet. Die Motorgeschwindigkeit kann durch Justieren der Schlitzkopfsteuerung, die sich auf dem Werkzeuggehäuse oder bei einigen Modellen auf der Auslöseroberfläche befindet, kontrolliert werden.



Bei umschaltbaren Werkzeugen wird die Drehrichtung der Spindel durch einen Umkehrknopf kontrolliert. Wenn der Knopf gedrückt wird, dreht sich die Spindel gegen den Uhrzeigersinn. Drücken Sie diesen Knopf immer komplett ein, um die volle Leistung zu erhalten. Bei einigen Modellen kann der Umkehrknopf in der Umkehrrichtung eingerastet werden, indem er komplett eingedrückt und im Uhrzeigersinn gedreht wird.

Informationen zum Kupplungsbetrieb

Schraubendreher und Mutteranziehmaschinen

- FESTDREHANTRIEB** Spindel dreht mit Motor. Motor blockiert, wenn Halterung festdreht.
- DIREKTKUPPLUNG** Spindel dreht nicht mit Motor. Druck auf Spindel kuppelt gerade Backen ein, um Spindel zu drehen. Motor blockiert, wenn Halterung festdreht.
- POSITIVE KUPPLUNG-WINKELBACKE** ... Spindel dreht nicht mit Motor. Druck auf Spindel kuppelt Winkelbacken ein, um Spindel zu drehen. Kupplung ratscht beim Erreichen einer bestimmten Straffheit. Drehmoment an Halterung wird dadurch bestimmt, wie fest der Bediener das Werkzeug aufdrückt.
- POSITIVE KUPPLUNG ROLLBACKEN** Ähnlich wie Winkelbacke, außer daß 4 Rollen Winkelzähne einkuppeln. Zahnrad schneller und Blasen nicht so heftig.
- JUSTIERBARE KUPPLUNG** Spindel dreht nicht mit Motor. Druck auf Spindel rastet Kupplung ein, so daß sich die Spindel dreht. Wenn Halterung voreingestelltes Drehmoment erreicht, ratscht die Kupplung. Justieren des Federdrucks ändert Drehmoment.

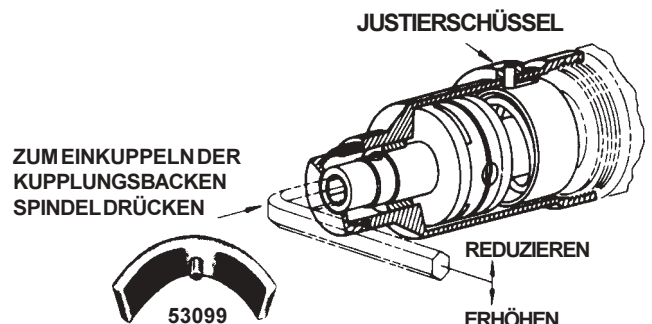
Justieren der Justierbaren Kupplung

ÜBER 25 ZOLL-PFUND

Zum Justieren der Kupplung plazieren Sie den Justierschlüssel (Nr. 53099) mit dem Stift durch die Öffnung im Kupplungsgehäuse. Plazieren Sie einen 6,4 mm (1/4") Sechskantschlüssel in die Aufsatzhalterung, drücken Sie ihn und drehen Sie, bis der Justierschlüssel in den Schlitz der Kupplungsmutter einpaßt. Halten Sie die Aufsatzfassung mit dem Sechskantschlüssel eingedrückt, und drehen Sie in Uhrzeigerrichtung, um das Drehmoment zu **erhöhen** und entgegen der Uhrzeigerrichtung, um es zu **reduzieren**.

UNTER 25 ZOLL-PFUND ÄNDERUNG GRÜNE FEDER NR. 41284

Plazieren Sie den Justierschlüssel wieder in die Position wie für das höhere Drehmoment, jedoch positionieren Sie ein Schraubendreherblatt durch die Aufsatzhalterungsöffnung, bis der Schlitz am fernen Ende berührt wird. Drehen Sie den Schraubendreher, bis der Justierschlüssel paßt, drehen Sie den Schraubendreher in Uhrzeigerrichtung, um das Drehmoment zu **erhöhen** und entgegen der Uhrzeigerrichtung, um es zu **reduzieren**.



**SIOUX 2 1/2 SERIE
MUTTERANZIEHMASCHINEN, SCHRAUBENDREHER
KONFORMITÄTSERKLÄRUNG**

Wir, Sioux Tools, Inc., 250 Snap-on Drive, P.O. Box 1596, Murphy, NC, 28906, USA,
erklären hiermit alleinverantwortlich, daß die Produkte

2L1101	2P1101	2L1102	2P1102	2L1103	2P1103	2L1104	2P1104	2L1105	2P1105	2L1106	2P1106	2L1107	2P1107
2L1201	2P1201	2L1202	2P1202	2L1203	2P1203	2L1204	2P1204	2L1205	2P1205	2L1206	2P1206	2L1207	2P1207
2L1301	2P1301	2L1302	2P1302	2L1303	2P1303	2L1304	2P1304	2L1305	2P1305	2L1306	2P1306	2L1307	2P1307
												2L1407	2P1407
2L1501	2P1501	2L1502	2P1502	2L1503	2P1503	2L1504	2P1504	2L1505	2P1505	2L1506	2P1506	2L1507	2P1507
2L1601	2P1601	2L1602	2P1602	2L1603	2P1603	2L1604	2P1604	2L1605	2P1605	2L1606	2P1606	2L1607	2P1607
2L2101	2P2101	2L2102	2P2102	2L2103	2P2103	2L2104	2P2104	2L2105	2P2105	2L2106	2P2106	2L2107	2P2107
2L2201	2P2201	2L2202	2P2202	2L2203	2P2203	2L2204	2P2204	2L2205	2P2205	2L2206	2P2206	2L2207	2P2207
2L2301	2P2301	2L2302	2P2302	2L2303	2P2303	2L2304	2P2304	2L2305	2P2305	2L2306	2P2306	2L2307	2P2307
												2L2407	2P2407
2L2501	2P2501	2L2502	2P2502	2L2503	2P2503	2L2504	2P2504	2L2505	2P2505	2L2506	2P2506	2L2507	2P2507
2L2601	2P2601	2L2602	2P2602	2L2603	2P2603	2L2604	2P2604	2L2605	2P2605	2L2606	2P2606	2L2607	2P2607
2LX1101	2PX1101	2LX1102	2PX1102	2LX1103	2PX1103	2LX1104	2PX1104	2LX1105	2PX1105	2LX1106	2PX1106	2LX1107	2PX1107
2LX1201	2PX1201	2LX1202	2PX1202	2LX1203	2PX1203	2LX1204	2PX1204	2LX1205	2PX1205	2LX1206	2PX1206	2LX1207	2PX1207
2LX1301	2PX1301	2LX1302	2PX1302	2LX1303	2PX1303	2LX1304	2PX1304	2LX1305	2PX1305	2LX1306	2PX1306	2LX1307	2PX1307
												2LX1407	2PX1407
2LX1501	2PX1501	2LX1502	2PX1502	2LX1503	2PX1503	2LX1504	2PX1504	2LX1505	2PX1505	2LX1506	2PX1506	2LX1507	2PX1507
2LX1601	2PX1601	2LX1602	2PX1602	2LX1603	2PX1603	2LX1604	2PX1604	2LX1605	2PX1605	2LX1606	2PX1606	2LX1607	2PX1607
2LX2101	2PX2101	2LX2102	2PX2102	2LX2103	2PX2103	2LX2104	2PX2104	2LX2105	2PX2105	2LX2106	2PX2106	2LX2107	2PX2107
2LX2201	2PX2201	2LX2202	2PX2202	2LX2203	2PX2203	2LX2204	2PX2204	2LX2205	2PX2205	2LX2206	2PX2206	2LX2207	2PX2207
2LX2301	2PX2301	2LX2302	2PX2302	2LX2303	2PX2303	2LX2304	2PX2304	2LX2305	2PX2305	2LX2306	2PX2306	2LX2307	2PX2307
												2LX2407	2PX2407
2LX2501	2PX2501	2LX2502	2PX2502	2LX2503	2PX2503	2LX2504	2PX2504	2LX2505	2PX2505	2LX2506	2PX2506		
2LX2601	2PX2601	2LX2602	2PX2602	2LX2603	2PX2603	2LX2604	2PX2604	2LX2605	2PX2605	2LX2606	2PX2606		

Einschließlich "A, AB, AD, AM, AQ, B, D, DS, M, Q, SB" Anhänge

auf die sich diese Erklärung bezieht, mit den Anforderungen der folgenden Standards oder Normen oder Dokumenten übereinstimmen:

EN 792 (Entwurf) EN 292 Teile 1&2, ISO 8662, Pneurop PN8NTC1

gemäß der Regelungen in

89/392/EEC, geändert durch die Direktiven 91/368/EEC & 93/44/EEC.

1. Juni 2003

Murphy, North Carolina, USA
Datum und Ort der Ausgabe

Gerald E. Seebeck

Vorsitzender
Sioux Tools Inc.

Name und Titel des Herausgebers


Unterschrift des Herausgebers

**SIOUX 2 1/2 SERIES BOHRER
KONFORMITÄTSERKLÄRUNG**

Wir, Sioux Tools, Inc., 250 Snap-on Drive, P.O. Box 1596, Murphy, NC, 28906, USA,
erklären hiermit alleinverantwortlich, daß die Produkte

2L1110	2P1110	2L1120	2P1120	2L1130	2P1130	2L1140	2P1140	2L1170	2P1170	2L1180	2P1180
2L1210	2P1210			2L1230	2P1230	2L1240	2P1240	2L1270	2P1270	2L1280	2P1280
2L1310	2P1310			2L1330	2P1330	2L1340	2P1340	2L1370	2P1370	2L1380	2P1380
2L1410	2P1410			2L1430	2P1430	2L1440	2P1440	2L1470	2P1470	2L1580	2P1580
2L1510	2P1510	2L1520	2P1520	2L1530	2P1530	2L1540	2P1540	2L1570	2P1570	2L1680	2P1680
2L1610	2P1610			2L1630	2P1630	2L1640	2P1640	2L1670	2P1670		
2L1910	2P1910			2L1930	2P1930	2L1940	2P1940	2L1970	2P1970		
2L2110	2P2110	2L2120	2P2120	2L2130	2P2130						
2L2210	2P2210			2L2230	2P2230						
2L2310	2P2310			2L2330	2P2330						
2L2410	2P2410			2L2430	2P2430						
2L2510	2P2510	2L2520	2P2520	2L2530	2P2530						
2L2610	2P2610			2L2630	2P2630						
2L2910	2P2910			2L2930	2P2930						
2LX1110	2PX1110	2LX1120	2PX1120	2LX1130	2PX1130	2LX1140	2PX1140	2LX1170	2PX1170	2LX1180	2XP1180
2LX1210	2PX1210			2LX1230	2PX1230	2LX1240	2PX1240	2LX1270	2PX1270	2LX1280	2XP1280
2LX1310	2PX1310			2LX1330	2PX1330	2LX1340	2PX1340	2LX1370	2PX1370	2LX1380	2XP1380
2LX1410	2PX1410			2LX1430	2PX1430	2LX1440	2PX1440	2LX1470	2PX1470	2LX1580	2XP1580
2LX1510	2PX1510	2LX1520	2PX1520	2LX1530	2PX1530	2LX1540	2PX1540	2LX1570	2PX1570	2LX1680	2XP1680
2LX1610	2PX1610			2LX1630	2PX1630	2LX1640	2PX1640	2LX1670	2PX1670		
2LX1910	2PX1910			2LX1930	2PX1930	2LX1940	2PX1940	2LX1970	2PX1970		
2LX2110	2PX2110	2LX2120	2PX2120	2LX2130	2PX2130						
2LX2210	2PX2210			2LX2230	2PX2230						
2LX2310	2PX2310			2LX2330	2PX2330						
2LX2410	2PX2410			2LX2430	2PX2430						
2LX2510	2PX2510	2LX2520	2PX2520	2LX2530	2PX2530						
2LX2610	2PX2610			2LX2630	2PX2630						
2LX2910	2PX2910			2LX2930	2PX2930						

auf die sich diese Erklärung bezieht, mit den Anforderungen der folgenden Standards oder Normen oder Dokumenten übereinstimmen:

EN 792 (Entwurf) EN 292 Teile 1&2, ISO 8662, Pneurop PN8NTC1

gemäß der Regelungen in

89/392/EEC, geändert durch die Direktiven 91/368/EEC & 93/44/EEC.

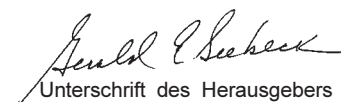
1. Juni 2003

Murphy, North Carolina, USA
Datum und Ort der Ausgabe

Gerald E. Seebeck

Vorsitzender
Sioux Tools Inc.

Name und Titel des Herausgebers


Unterschrift des Herausgebers

SCHALL- UND VIBRATIONSWERTE

2 1/2 "L" SERIE MUTTERANZIEHMASCHINEN, SCHRAUBENDREHER									
Catalog No.							*Schalldruck dBA	*Schallstärke dBA	**Vibration m/s ²
2L1101	2L1102	2L1103	2L1104	2L1105	2L1106	2L1107	82,1	94,8	Less than 2,5
2L1201	2L1202	2L1203	2L1204	2L1205	2L1206	2L1207	82,1	94,8	Less than 2,5
2L1301	2L1302	2L1303	2L1304	2L1305	2L1306	2L1307	82,1	94,8	Less than 2,5
						2L1407	82,1	94,8	Less than 2,5
2L1501	2L1502	2L1503	2L1504	2L1505	2L1506	2L1507	82,1	94,8	Less than 2,5
2L1601	2L1602	2L1603	2L1604	2L1605	2L1606	2L1607	82,1	94,8	Less than 2,5
2L2101	2L2102	2L2103	2L2104	2L2105	2L2106	2L2107	82,1	94,8	Less than 2,5
2L2201	2L2202	2L2203	2L2204	2L2205	2L2206	2L2207	82,1	94,8	Less than 2,5
2L2301	2L2302	2L2303	2L2304	2L2305	2L2306	2L2307	82,1	94,8	Less than 2,5
						2L2407	82,1	94,8	Less than 2,5
2L2501	2L2502	2L2503	2L2504	2L2505	2L2506	2L2507	82,1	94,8	Less than 2,5
2L2601	2L2602	2L2603	2L2604	2L2605	2L2606	2L2607	82,1	94,8	Less than 2,5
2LX1101	2LX1102	2LX1103	2LX1104	2LX1105	2LX1106	2LX1107	82,1	94,8	Less than 2,5
2LX1201	2LX1202	2LX1203	2LX1204	2LX1205	2LX1206	2LX1207	82,1	94,8	Less than 2,5
2LX1301	2LX1302	2LX1303	2LX1304	2LX1305	2LX1306	2LX1307	82,1	94,8	Less than 2,5
						2LX1407	82,1	94,8	Less than 2,5
2LX1501	2LX1502	2LX1503	2LX1504	2LX1505	2LX1506	2LX1507	82,1	94,8	Less than 2,5
2LX1601	2LX1602	2LX1603	2LX1604	2LX1605	2LX1606	2LX1607	82,1	94,8	Less than 2,5
2LX2101	2LX2102	2LX2103	2LX2104	2LX2105	2LX2106	2LX2107	82,1	94,8	Less than 2,5
2LX2201	2LX2202	2LX2203	2LX2204	2LX2205	2LX2206	2LX2207	82,1	94,8	Less than 2,5
2LX2301	2LX2302	2LX2303	2LX2304	2LX2305	2LX2306	2LX2307	82,1	94,8	Less than 2,5
						2LX2407	82,1	94,8	Less than 2,5
2LX2501	2LX2502	2LX2503	2LX2504	2LX2505	2LX2506		82,1	94,8	Less than 2,5
2LX2601	2LX2602	2LX2603	2LX2604	2LX2605	2LX2606		82,1	94,8	Less than 2,5

SCHALL- UND VIBRATIONSWERTE

2 1/2 "P" SERIE MUTTERANZIEHMASCHINEN, SCHRAUBENDREHER									
Catalog No.							*Schalldruck dBA	*Schallstärke dBA	**Vibration m/s ²
2P1101	2P1102	2P1103	2P1104	2P1105	2P1106	2P1107	81,8	94,5	Less than 2,5
2P1201	2P1202	2P1203	2P1204	2P1205	2P1206	2P1207	81,8	94,5	Less than 2,5
2P1301	2P1302	2P1303	2P1304	2P1305	2P1306	2P1307	81,8	94,5	Less than 2,5
						2P1407	81,8	94,5	Less than 2,5
2P1501	2P1502	2P1503	2P1504	2P1505	2P1506	2P1507	81,8	94,5	Less than 2,5
2P1601	2P1602	2P1603	2P1604	2P1605	2P1606	2P1607	81,8	94,5	Less than 2,5
2P2101	2P2102	2P2103	2P2104	2P2105	2P2106	2P2107	81,8	94,5	Less than 2,5
2P2201	2P2202	2P2203	2P2204	2P2205	2P2206	2P2207	81,8	94,5	Less than 2,5
2P2301	2P2302	2P2303	2P2304	2P2305	2P2306	2P2307	81,8	94,5	Less than 2,5
						2P2407	81,8	94,5	Less than 2,5
2P2501	2P2502	2P2503	2P2504	2P2505	2P2506	2P2507	81,8	94,5	Less than 2,5
2P2601	2P2602	2P2603	2P2604	2P2605	2P2606	2P2607	81,8	94,5	Less than 2,5
2PX1101	2PX1102	2PX1103	2PX1104	2PX1105	2PX1106	2PX1107	81,8	94,5	Less than 2,5
2PX1201	2PX1202	2PX1203	2PX1204	2PX1205	2PX1206	2PX1207	81,8	94,5	Less than 2,5
2PX1301	2PX1302	2PX1303	2PX1304	2PX1305	2PX1306	2PX1307	81,8	94,5	Less than 2,5
						2PX1407	81,8	94,5	Less than 2,5
2PX1501	2PX1502	2PX1503	2PX1504	2PX1505	2PX1506	2PX1507	81,8	94,5	Less than 2,5
2PX1601	2PX1602	2PX1603	2PX1604	2PX1605	2PX1606	2PX1607	81,8	94,5	Less than 2,5
2PX2101	2PX2102	2PX2103	2PX2104	2PX2105	2PX2106	2PX2107	81,8	94,5	Less than 2,5
2PX2201	2PX2202	2PX2203	2PX2204	2PX2205	2PX2206	2PX2207	81,8	94,5	Less than 2,5
2PX2301	2PX2302	2PX2303	2PX2304	2PX2305	2PX2306	2PX2307	81,8	94,5	Less than 2,5
						2PX2407	81,8	94,5	Less than 2,5
2PX2501	2PX2502	2PX2503	2PX2504	2PX2505	2PX2506		81,8	94,5	Less than 2,5
2PX2601	2PX2602	2PX2603	2PX2604	2PX2605	2PX2606		81,8	94,5	Less than 2,5

*per PN8NTC1

**per ISO 8662

SCHALL- UND VIBRATIONSWERTE

2 1/2 "L" SERIE BOHRER								
Catalog No.						*Schalldruck dBA	*Schallstärke dBA	**Vibration m/s ²
2L1110	2L1120	2L1130	2L1140	2L1170	2L1180	82,1	94,8	Less than 2,5
2L1210		2L1230	2L1240	2L1270	2L1280	82,1	94,8	Less than 2,5
2L1310		2L1330	2L1340	2L1370	2L1380	82,1	94,8	Less than 2,5
2L1410		2L1430	2L1440	2L1470		82,1	94,8	Less than 2,5
2L1510	2L1520	2L1530	2L1540	2L1570	2L1580	82,1	94,8	Less than 2,5
2L1610		2L1630	2L1640	2L1670	2L1680	82,1	94,8	Less than 2,5
2L1910		2L1930	2L1940	2L1970		82,1	94,8	Less than 2,5
2L2110	2L2120	2L2130				82,1	94,8	Less than 2,5
2L2210		2L2230				82,1	94,8	Less than 2,5
2L2310		2L2330				82,1	94,8	Less than 2,5
2L2410		2L2430				82,1	94,8	Less than 2,5
2L2510	2L2520	2L2530				82,1	94,8	Less than 2,5
2L2610		2L2630				82,1	94,8	Less than 2,5
2L2910		2L2930				82,1	94,8	Less than 2,5
2LX1110	2LX1120	2LX1130	2LX1140	2LX1170	2LX1180	82,1	94,8	Less than 2,5
2LX1210		2LX1230	2LX1240	2LX1270	2LX1280	82,1	94,8	Less than 2,5
2LX1310		2LX1330	2LX1340	2LX1370	2LX1380	82,1	94,8	Less than 2,5
2LX1410		2LX1430	2LX1440	2LX1470		82,1	94,8	Less than 2,5
2LX1510	2LX1520	2LX1530	2LX1540	2LX1570	2LX1580	82,1	94,8	Less than 2,5
2LX1610		2LX1630	2LX1640	2LX1670	2LX1680	82,1	94,8	Less than 2,5
2LX1910		2LX1930	2LX1940	2LX1970		82,1	94,8	Less than 2,5
2LX2110	2LX2120	2LX2130				82,1	94,8	Less than 2,5
2LX2210		2LX2230				82,1	94,8	Less than 2,5
2LX2310		2LX2330				82,1	94,8	Less than 2,5
2LX2410		2LX2430				82,1	94,8	Less than 2,5
2LX2510	2LX2520	2LX2530				82,1	94,8	Less than 2,5
2LX2610		2LX2630				82,1	94,8	Less than 2,5
2LX2910		2LX2930				82,1	94,8	Less than 2,5

SCHALL- UND VIBRATIONSWERTE

2 1/2 "P" SERIE BOHRER								
Catalog No.						*Schalldruck dBA	*Schallstärke dBA	**Vibration m/s ²
2P1110	2P1120	2P1130	2P1140	2P1170	2P1180	81,8	94,5	Less than 2,5
2P1210		2P1230	2P1240	2P1270	2P1280	81,8	94,5	Less than 2,5
2P1310		2P1330	2P1340	2P1370	2P1380	81,8	94,5	Less than 2,5
2P1410		2P1430	2P1440	2P1470		81,8	94,5	Less than 2,5
2P1510	2P1520	2P1530	2P1540	2P1570	2P1580	81,8	94,5	Less than 2,5
2P1610		2P1630	2P1640	2P1670	2P1680	81,8	94,5	Less than 2,5
2P1910		2P1930	2P1940	2P19770		81,8	94,5	Less than 2,5
2P2110	2P2120	2P2130				81,8	94,5	Less than 2,5
2P2210		2P2230				81,8	94,5	Less than 2,5
2P2310		2P2330				81,8	94,5	Less than 2,5
2P2410		2P2430				81,8	94,5	Less than 2,5
2P2510	2P2520	2P2530				81,8	94,5	Less than 2,5
2P2610		2P2630				81,8	94,5	Less than 2,5
2P2910		2P2930				81,8	94,5	Less than 2,5
2PX1110	2PX1120	2PX1130	2PX1140	2PX1170	2XP1180	81,8	94,5	Less than 2,5
2PX1210		2PX1230	2PX1240	2PX1270	2XP1280	81,8	94,5	Less than 2,5
2PX1310		2PX1330	2PX1340	2PX1370	2XP1380	81,8	94,5	Less than 2,5
2PX1410		2PX1430	2PX1440	2PX1470		81,8	94,5	Less than 2,5
2PX1510	2PX1520	2PX1530	2PX1540	2PX1570	2XP1580	81,8	94,5	Less than 2,5
2PX1610		2PX1630	2PX1640	2PX1670	2XP1680	81,8	94,5	Less than 2,5
2PX1910		2PX1930	2PX1940	2PX19770		81,8	94,5	Less than 2,5
2PX2110	2PX2120	2PX2130				81,8	94,5	Less than 2,5
2PX2210		2PX2230				81,8	94,5	Less than 2,5
2PX2310		2PX2330				81,8	94,5	Less than 2,5
2PX2410		2PX2430				81,8	94,5	Less than 2,5
2PX2510	2PX2520	2PX2530				81,8	94,5	Less than 2,5
2PX2610		2PX2630				81,8	94,5	Less than 2,5
2PX2910		2PX2930				81,8	94,5	Less than 2,5



INSTRUCCIONES PARA LAS SERIES 2 1/2 APRIETATUERCAS MECANICO, DESTORNILLADORES Y TALADROS

Lea y entienda “Instrucciones de seguridad para herramientas neumáticas” y estas instrucciones antes de operar esta herramienta.

SUMINISTRO DE AIRE

La eficiencia de la herramienta depende de un suministro adecuado de aire seco 90 psig (6,2 bar). El uso de un filtro de línea, regulador de presión, y un lubricador garantizará un máximo rendimiento y vida útil de la herramienta. Antes de conectar la herramienta, expulse el aire de la línea de aire para sacar el agua y la suciedad que pueda haber acumulada.

MANGUERA Y CONEXIONES DE LA MANGUERA

La manguera de distribución no debe tener menos de 3/8" (10 mm) de diámetro interno. La extensión de la manguera debe tener al menos 1/2" (13 mm) de diámetro interno. Utilice acoplamientos y piezas de al menos 3/8" (10 mm) de diámetro interno.

LUBRICACION

Utilice un aceite para motores neumáticos SIOUX No. 288. Se recomienda un lubricador de tubo de aire que distribuya de 2 a 4 gotas por minuto. Si no se utiliza un lubricador, agregue 0,04 oz. (1,2cc, 12 a 15 gotas) de aceite a la entrada de aire, dos veces al día.

Lubrique el engranaje cada 100 horas de operación con grasa SIOUX No. 289A.

Lubrique los embragues positivos y ajustables cada 40 horas con grasa SIOUX No. 1232A.

ASPECTOS GENERALES

El motor neumático se enciende oprimiendo la palanca o el gatillo de funcionamiento. La velocidad del motor puede ser controlada ajustando control superior ranurado el cual está ubicado en la caja de la herramienta o, en algunos modelos, en la superficie del gatillo.



En herramientas de inversión, la dirección del eje de rotación es controlada por el botón de reversa. Cuando se presiona un botón, el eje rota en dirección opuesta a las agujas del reloj. Siempre oprima el botón completamente para obtener toda la energía. El botón de reversa, en algunos modelos, puede ser bloqueado en la dirección de reversa, oprimiendo y girando completamente el botón en la dirección de las agujas del reloj.

Información sobre funcionamiento del embrague

Destornilladores y aprietatuercas mecánicos

- TRANSMISION DIRECTA** El eje gira con el motor. El motor se detiene cuando el seguro está demasiado apretado.
- EMBRAGUE DIRECTO** El eje no gira con el motor. La presión en el eje engrana directamente la mordaza para girar el eje. El motor se detiene cuando el seguro está demasiado apretado.
- EMBRAGUE DE ENGRANE- MORDAZA ANGULAR** El eje no gira con el motor. La presión en el eje engrana las mordazas angulares para girar el eje. El embrague se engrana cuando se queda un poco apretado. La torsión en el seguro es determinada por qué tan fuerte el operador empuja la herramienta.
- EMBRAGUE DE ENGRANE- MORDAZA DE RODILLOS DE** Similar a la mordaza angular excepto que 4 rodillos engranan los dientes angulares. Se engrana más rápidamente y no sopla tan fuerte.
- EMBRAGUE DE AJUSTE** El eje no gira con el motor. La presión sobre el eje engrana el embrague, haciendo que el eje gire. Cuando el seguro alcanza la torsión preestablecida, el embrague se engranará. La presión de resorte de ajuste cambiará la torsión.

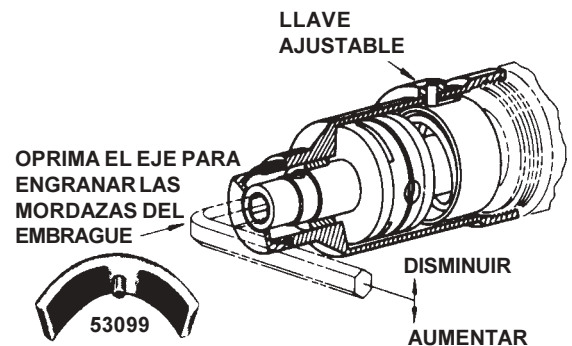
Ajustes del embrague ajustable

SOBRE 25 PULG. DE LIBRA

Para ajustar el embrague coloque la llave de ajuste (No. 53099) con la aguja a través de la abertura en la caja del embrague. Coloque una llave hexagonal de 1/4" (6.4 mm) en el portabrocas, presione y gire hasta que la llave de ajuste caiga en la ranura de la tuerca del embrague. Mantenga el portabrocas presionado con la llave hexagonal y gire en la dirección de las agujas del reloj para **augmentar** la torsión y en el sentido opuesto para **disminuirla**.

BAJO 25 PULG. DE LIBRA CAMBIE AL RESORTE VERDE NO. 41284

Nuevamente, coloque la llave ajustable en posición, como si fuera para la torsión más alta, pero coloque una hoja de destornillador a través del portabrocas abriendo hasta que entre en contacto con la ranura en el extremo lejano. Gire el destornillador hasta que la llave ajustable esté en su lugar, nuevamente gire el destornillador en la dirección de las agujas del reloj para **augmentar** la torsión y en dirección opuesta para **disminuirla**.



**SERIES 2 1/2 APRIETATUERCAS MECANICO, DESTORNILLADORES
DECLARACION DE CONFORMIDAD**

Nosotros, Sioux Tools, Inc., 250 Snap-on Drive, P.O. Box 1596, Murphy, NC, 28906, USA,
declaramos bajo nuestra única responsabilidad que los productos

2L1101	2P1101	2L1102	2P1102	2L1103	2P1103	2L1104	2P1104	2L1105	2P1105	2L1106	2P1106	2L1107	2P1107
2L1201	2P1201	2L1202	2P1202	2L1203	2P1203	2L1204	2P1204	2L1205	2P1205	2L1206	2P1206	2L1207	2P1207
2L1301	2P1301	2L1302	2P1302	2L1303	2P1303	2L1304	2P1304	2L1305	2P1305	2L1306	2P1306	2L1307	2P1307
												2L1407	2P1407
2L1501	2P1501	2L1502	2P1502	2L1503	2P1503	2L1504	2P1504	2L1505	2P1505	2L1506	2P1506	2L1507	2P1507
2L1601	2P1601	2L1602	2P1602	2L1603	2P1603	2L1604	2P1604	2L1605	2P1605	2L1606	2P1606	2L1607	2P1607
2L2101	2P2101	2L2102	2P2102	2L2103	2P2103	2L2104	2P2104	2L2105	2P2105	2L2106	2P2106	2L2107	2P2107
2L2201	2P2201	2L2202	2P2202	2L2203	2P2203	2L2204	2P2204	2L2205	2P2205	2L2206	2P2206	2L2207	2P2207
2L2301	2P2301	2L2302	2P2302	2L2303	2P2303	2L2304	2P2304	2L2305	2P2305	2L2306	2P2306	2L2307	2P2307
												2L2407	2P2407
2L2501	2P2501	2L2502	2P2502	2L2503	2P2503	2L2504	2P2504	2L2505	2P2505	2L2506	2P2506	2L2507	2P2507
2L2601	2P2601	2L2602	2P2602	2L2603	2P2603	2L2604	2P2604	2L2605	2P2605	2L2606	2P2606	2L2607	2P2607
2LX1101	2PX1101	2LX1102	2PX1102	2LX1103	2PX1103	2LX1104	2PX1104	2LX1105	2PX1105	2LX1106	2PX1106	2LX1107	2PX1107
2LX1201	2PX1201	2LX1202	2PX1202	2LX1203	2PX1203	2LX1204	2PX1204	2LX1205	2PX1205	2LX1206	2PX1206	2LX1207	2PX1207
2LX1301	2PX1301	2LX1302	2PX1302	2LX1303	2PX1303	2LX1304	2PX1304	2LX1305	2PX1305	2LX1306	2PX1306	2LX1307	2PX1307
												2LX1407	2PX1407
2LX1501	2PX1501	2LX1502	2PX1502	2LX1503	2PX1503	2LX1504	2PX1504	2LX1505	2PX1505	2LX1506	2PX1506	2LX1507	2PX1507
2LX1601	2PX1601	2LX1602	2PX1602	2LX1603	2PX1603	2LX1604	2PX1604	2LX1605	2PX1605	2LX1606	2PX1606	2LX1607	2PX1607
2LX2101	2PX2101	2LX2102	2PX2102	2LX2103	2PX2103	2LX2104	2PX2104	2LX2105	2PX2105	2LX2106	2PX2106	2LX2107	2PX2107
2LX2201	2PX2201	2LX2202	2PX2202	2LX2203	2PX2203	2LX2204	2PX2204	2LX2205	2PX2205	2LX2206	2PX2206	2LX2207	2PX2207
2LX2301	2PX2301	2LX2302	2PX2302	2LX2303	2PX2303	2LX2304	2PX2304	2LX2305	2PX2305	2LX2306	2PX2306	2LX2307	2PX2307
												2LX2407	2PX2407
2LX2501	2PX2501	2LX2502	2PX2502	2LX2503	2PX2503	2LX2504	2PX2504	2LX2505	2PX2505	2LX2506	2PX2506		
2LX2601	2PX2601	2LX2602	2PX2602	2LX2603	2PX2603	2LX2604	2PX2604	2LX2605	2PX2605	2LX2606	2PX2606		

incluyendo los sufijos "A, AB, AD, AM, AQ, B, D, DS, M, Q, SB"

con los cuales se relaciona esta Declaración están en conformidad con las siguientes norma(s), u otros documento(s) normativos:

EN 792 (preliminar), EN 292 Partes 1 y 2, ISO 8662, Pneurop PN8NTC1

siguiendo lo estipulado en

89/392/EEC tal como fue enmendada por las Directivas 91/368/EEC y 93/44/EC.

1 de junio de 2003

Murphy, North Carolina, USA
Fecha y lugar de edición

Gerald E. Seebeck

Presidente
Sioux Tools Inc.
Nombre y puesto del editor


Firma del editor

**SERIES 2 1/2 TALADROS
DECLARACION DE CONFORMIDAD**

Nosotros, Sioux Tools, Inc., 250 Snap-on Drive, P.O. Box 1596, Murphy, NC, 28906, USA,
declaramos bajo nuestra única responsabilidad que los productos

2L1110	2P1110	2L1120	2P1120	2L1130	2P1130	2L1140	2P1140	2L1170	2P1170	2L1180	2P1180
2L1210	2P1210			2L1230	2P1230	2L1240	2P1240	2L1270	2P1270	2L1280	2P1280
2L1310	2P1310			2L1330	2P1330	2L1340	2P1340	2L1370	2P1370	2L1380	2P1380
2L1410	2P1410			2L1430	2P1430	2L1440	2P1440	2L1470	2P1470	2L1580	2P1580
2L1510	2P1510	2L1520	2P1520	2L1530	2P1530	2L1540	2P1540	2L1570	2P1570	2L1680	2P1680
2L1610	2P1610			2L1630	2P1630	2L1640	2P1640	2L1670	2P1670		
2L1910	2P1910			2L1930	2P1930	2L1940	2P1940	2L1970	2P1970		
2L2110	2P2110	2L2120	2P2120	2L2130	2P2130						
2L2210	2P2210			2L2230	2P2230						
2L2310	2P2310			2L2330	2P2330						
2L2410	2P2410			2L2430	2P2430						
2L2510	2P2510	2L2520	2P2520	2L2530	2P2530						
2L2610	2P2610			2L2630	2P2630						
2L2910	2P2910			2L2930	2P2930						
2LX1110	2PX1110	2LX1120	2PX1120	2LX1130	2PX1130	2LX1140	2PX1140	2LX1170	2PX1170	2LX1180	2PX1180
2LX1210	2PX1210			2LX1230	2PX1230	2LX1240	2PX1240	2LX1270	2PX1270	2LX1280	2PX1280
2LX1310	2PX1310			2LX1330	2PX1330	2LX1340	2PX1340	2LX1370	2PX1370	2LX1380	2PX1380
2LX1410	2PX1410			2LX1430	2PX1430	2LX1440	2PX1440	2LX1470	2PX1470	2LX1580	2PX1580
2LX1510	2PX1510	2LX1520	2PX1520	2LX1530	2PX1530	2LX1540	2PX1540	2LX1570	2PX1570	2LX1680	2PX1680
2LX1610	2PX1610			2LX1630	2PX1630	2LX1640	2PX1640	2LX1670	2PX1670		
2LX1910	2PX1910			2LX1930	2PX1930	2LX1940	2PX1940	2LX1970	2PX1970		
2LX2110	2PX2110	2LX2120	2PX2120	2LX2130	2PX2130						
2LX2210	2PX2210			2LX2230	2PX2230						
2LX2310	2PX2310			2LX2330	2PX2330						
2LX2410	2PX2410			2LX2430	2PX2430						
2LX2510	2PX2510	2LX2520	2PX2520	2LX2530	2PX2530						
2LX2610	2PX2610			2LX2630	2PX2630						
2LX2910	2PX2910			2LX2930	2PX2930						

con los cuales se relaciona esta Declaración están en conformidad con las siguientes norma(s), u otros documento(s) normativos:

EN 792 (preliminar), EN 292 Partes 1 y 2, ISO 8662, Pneurop PN8NTC1

siguiendo lo estipulado en

89/392/EEC tal como fue enmendada por las Directivas 91/368/EEC y 93/44/EC.

1 de junio de 2003

Murphy, North Carolina, USA
Fecha y lugar de edición

Gerald E. Seebeck

Presidente
Sioux Tools Inc.
Nombre y puesto del editor


Firma del editor

LECTURA DE VIBRACIONES Y SONIDOS

SERIES 2 1/2 "L" APRIETATUERCAS MECANICO Y DESTORNILLADORES									
No.Catálogo							*Presión de sonido dBA	*Presión de sonido dBA	**Vibración m/s ²
2L1101	2L1102	2L1103	2L1104	2L1105	2L1106	2L1107	82,1	94,8	Less than 2,5
2L1201	2L1202	2L1203	2L1204	2L1205	2L1206	2L1207	82,1	94,8	Less than 2,5
2L1301	2L1302	2L1303	2L1304	2L1305	2L1306	2L1307	82,1	94,8	Less than 2,5
						2L1407	82,1	94,8	Less than 2,5
2L1501	2L1502	2L1503	2L1504	2L1505	2L1506	2L1507	82,1	94,8	Less than 2,5
2L1601	2L1602	2L1603	2L1604	2L1605	2L1606	2L1607	82,1	94,8	Less than 2,5
2L2101	2L2102	2L2103	2L2104	2L2105	2L2106	2L2107	82,1	94,8	Less than 2,5
2L2201	2L2202	2L2203	2L2204	2L2205	2L2206	2L2207	82,1	94,8	Less than 2,5
2L2301	2L2302	2L2303	2L2304	2L2305	2L2306	2L2307	82,1	94,8	Less than 2,5
						2L2407	82,1	94,8	Less than 2,5
2L2501	2L2502	2L2503	2L2504	2L2505	2L2506	2L2507	82,1	94,8	Less than 2,5
2L2601	2L2602	2L2603	2L2604	2L2605	2L2606	2L2607	82,1	94,8	Less than 2,5
2LX1101	2LX1102	2LX1103	2LX1104	2LX1105	2LX1106	2LX1107	82,1	94,8	Less than 2,5
2LX1201	2LX1202	2LX1203	2LX1204	2LX1205	2LX1206	2LX1207	82,1	94,8	Less than 2,5
2LX1301	2LX1302	2LX1303	2LX1304	2LX1305	2LX1306	2LX1307	82,1	94,8	Less than 2,5
						2LX1407	82,1	94,8	Less than 2,5
2LX1501	2LX1502	2LX1503	2LX1504	2LX1505	2LX1506	2LX1507	82,1	94,8	Less than 2,5
2LX1601	2LX1602	2LX1603	2LX1604	2LX1605	2LX1606	2LX1607	82,1	94,8	Less than 2,5
2LX2101	2LX2102	2LX2103	2LX2104	2LX2105	2LX2106	2LX2107	82,1	94,8	Less than 2,5
2LX2201	2LX2202	2LX2203	2LX2204	2LX2205	2LX2206	2LX2207	82,1	94,8	Less than 2,5
2LX2301	2LX2302	2LX2303	2LX2304	2LX2305	2LX2306	2LX2307	82,1	94,8	Less than 2,5
						2LX2407	82,1	94,8	Less than 2,5
2LX2501	2LX2502	2LX2503	2LX2504	2LX2505	2LX2506		82,1	94,8	Less than 2,5
2LX2601	2LX2602	2LX2603	2LX2604	2LX2605	2LX2606		82,1	94,8	Less than 2,5

LECTURA DE VIBRACIONES Y SONIDOS

SERIES 2 1/2 "P" APRIETATUERCAS MECANICO Y DESTORNILLADORES									
No.Catálogo							*Presión de sonido dBA	*Presión de sonido dBA	**Vibración m/s ²
2P1101	2P1102	2P1103	2P1104	2P1105	2P1106	2P1107	81,8	94,5	Less than 2,5
2P1201	2P1202	2P1203	2P1204	2P1205	2P1206	2P1207	81,8	94,5	Less than 2,5
2P1301	2P1302	2P1303	2P1304	2P1305	2P1306	2P1307	81,8	94,5	Less than 2,5
						2P1407	81,8	94,5	Less than 2,5
2P1501	2P1502	2P1503	2P1504	2P1505	2P1506	2P1507	81,8	94,5	Less than 2,5
2P1601	2P1602	2P1603	2P1604	2P1605	2P1606	2P1607	81,8	94,5	Less than 2,5
2P2101	2P2102	2P2103	2P2104	2P2105	2P2106	2P2107	81,8	94,5	Less than 2,5
2P2201	2P2202	2P2203	2P2204	2P2205	2P2206	2P2207	81,8	94,5	Less than 2,5
2P2301	2P2302	2P2303	2P2304	2P2305	2P2306	2P2307	81,8	94,5	Less than 2,5
						2P2407	81,8	94,5	Less than 2,5
2P2501	2P2502	2P2503	2P2504	2P2505	2P2506	2P2507	81,8	94,5	Less than 2,5
2P2601	2P2602	2P2603	2P2604	2P2605	2P2606	2P2607	81,8	94,5	Less than 2,5
2PX1101	2PX1102	2PX1103	2PX1104	2PX1105	2PX1106	2PX1107	81,8	94,5	Less than 2,5
2PX1201	2PX1202	2PX1203	2PX1204	2PX1205	2PX1206	2PX1207	81,8	94,5	Less than 2,5
2PX1301	2PX1302	2PX1303	2PX1304	2PX1305	2PX1306	2PX1307	81,8	94,5	Less than 2,5
						2PX1407	81,8	94,5	Less than 2,5
2PX1501	2PX1502	2PX1503	2PX1504	2PX1505	2PX1506	2PX1507	81,8	94,5	Less than 2,5
2PX1601	2PX1602	2PX1603	2PX1604	2PX1605	2PX1606	2PX1607	81,8	94,5	Less than 2,5
2PX2101	2PX2102	2PX2103	2PX2104	2PX2105	2PX2106	2PX2107	81,8	94,5	Less than 2,5
2PX2201	2PX2202	2PX2203	2PX2204	2PX2205	2PX2206	2PX2207	81,8	94,5	Less than 2,5
2PX2301	2PX2302	2PX2303	2PX2304	2PX2305	2PX2306	2PX2307	81,8	94,5	Less than 2,5
						2PX2407	81,8	94,5	Less than 2,5
2PX2501	2PX2502	2PX2503	2PX2504	2PX2505	2PX2506		81,8	94,5	Less than 2,5
2PX2601	2PX2602	2PX2603	2PX2604	2PX2605	2PX2606		81,8	94,5	Less than 2,5

*según PN8NTC1 **según ISO 8662

LECTURA DE VIBRACIONES Y SONIDOS

SERIES 2 1/2 "L" TALADROS								
No.Catálogo						*Presión de sonido dBA	*Presión de sonido dBA	**Vibración m/s ²
2L1110	2L1120	2L1130	2L1140	2L1170	2L1180	82,1	94,8	Less than 2,5
2L1210		2L1230	2L1240	2L1270	2L1280	82,1	94,8	Less than 2,5
2L1310		2L1330	2L1340	2L1370	2L1380	82,1	94,8	Less than 2,5
2L1410		2L1430	2L1440	2L1470		82,1	94,8	Less than 2,5
2L1510	2L1520	2L1530	2L1540	2L1570	2L1580	82,1	94,8	Less than 2,5
2L1610		2L1630	2L1640	2L1670	2L1680	82,1	94,8	Less than 2,5
2L1910		2L1930	2L1940	2L1970		82,1	94,8	Less than 2,5
2L2110	2L2120	2L2130				82,1	94,8	Less than 2,5
2L2210		2L2230				82,1	94,8	Less than 2,5
2L2310		2L2330				82,1	94,8	Less than 2,5
2L2410		2L2430				82,1	94,8	Less than 2,5
2L2510	2L2520	2L2530				82,1	94,8	Less than 2,5
2L2610		2L2630				82,1	94,8	Less than 2,5
2L2910		2L2930				82,1	94,8	Less than 2,5
2LX1110	2LX1120	2LX1130	2LX1140	2LX1170	2LX1180	82,1	94,8	Less than 2,5
2LX1210		2LX1230	2LX1240	2LX1270	2LX1280	82,1	94,8	Less than 2,5
2LX1310		2LX1330	2LX1340	2LX1370	2LX1380	82,1	94,8	Less than 2,5
2LX1410		2LX1430	2LX1440	2LX1470		82,1	94,8	Less than 2,5
2LX1510	2LX1520	2LX1530	2LX1540	2LX1570	2LX1580	82,1	94,8	Less than 2,5
2LX1610		2LX1630	2LX1640	2LX1670	2LX1680	82,1	94,8	Less than 2,5
2LX1910		2LX1930	2LX1940	2LX1970		82,1	94,8	Less than 2,5
2LX2110	2LX2120	2LX2130				82,1	94,8	Less than 2,5
2LX2210		2LX2230				82,1	94,8	Less than 2,5
2LX2310		2LX2330				82,1	94,8	Less than 2,5
2LX2410		2LX2430				82,1	94,8	Less than 2,5
2LX2510	2LX2520	2LX2530				82,1	94,8	Less than 2,5
2LX2610		2LX2630				82,1	94,8	Less than 2,5
2LX2910		2LX2930				82,1	94,8	Less than 2,5

LECTURA DE VIBRACIONES Y SONIDOS

SERIES 2 1/2 "P" TALADROS								
No.Catálogo						*Presión de sonido dBA	*Presión de sonido dBA	**Vibración m/s ²
2P1110	2P1120	2P1130	2P1140	2P1170	2P1180	81,8	94,5	Less than 2,5
2P1210		2P1230	2P1240	2P1270	2P1280	81,8	94,5	Less than 2,5
2P1310		2P1330	2P1340	2P1370	2P1380	81,8	94,5	Less than 2,5
2P1410		2P1430	2P1440	2P1470		81,8	94,5	Less than 2,5
2P1510	2P1520	2P1530	2P1540	2P1570	2P1580	81,8	94,5	Less than 2,5
2P1610		2P1630	2P1640	2P1670	2P1680	81,8	94,5	Less than 2,5
2P1910		2P1930	2P1940	2P1970		81,8	94,5	Less than 2,5
2P2110	2P2120	2P2130				81,8	94,5	Less than 2,5
2P2210		2P2230				81,8	94,5	Less than 2,5
2P2310		2P2330				81,8	94,5	Less than 2,5
2P2410		2P2430				81,8	94,5	Less than 2,5
2P2510	2P2520	2P2530				81,8	94,5	Less than 2,5
2P2610		2P2630				81,8	94,5	Less than 2,5
2P2910		2P2930				81,8	94,5	Less than 2,5
2PX1110	2PX1120	2PX1130	2PX1140	2PX1170	2XP1180	81,8	94,5	Less than 2,5
2PX1210		2PX1230	2PX1240	2PX1270	2XP1280	81,8	94,5	Less than 2,5
2PX1310		2PX1330	2PX1340	2PX1370	2XP1380	81,8	94,5	Less than 2,5
2PX1410		2PX1430	2PX1440	2PX1470		81,8	94,5	Less than 2,5
2PX1510	2PX1520	2PX1530	2PX1540	2PX1570	2XP1580	81,8	94,5	Less than 2,5
2PX1610		2PX1630	2PX1640	2PX1670	2XP1680	81,8	94,5	Less than 2,5
2PX1910		2PX1930	2PX1940	2PX1970		81,8	94,5	Less than 2,5
2PX2110	2PX2120	2PX2130				81,8	94,5	Less than 2,5
2PX2210		2PX2230				81,8	94,5	Less than 2,5
2PX2310		2PX2330				81,8	94,5	Less than 2,5
2PX2410		2PX2430				81,8	94,5	Less than 2,5
2PX2510	2PX2520	2PX2530				81,8	94,5	Less than 2,5
2PX2610		2PX2630				81,8	94,5	Less than 2,5
2PX2910		2PX2930				81,8	94,5	Less than 2,5



ISTRUZIONI PER AVVITATORI, CACCIAVITI E TRAPANI SERIE 2 1/2

Leggere attentamente le “Norme di sicurezza per l’uso di attrezzi pneumatici” e le seguenti istruzioni prima di utilizzare la presente apparecchiatura.

ALIMENTAZIONE ARIA

L’efficienza dell’apparecchio dipende da un’adeguata alimentazione di aria pulita ad una pressione di 90 psi (6,2 bar). Per il massimo flusso di aria compressa e per estendere la durata dell’attrezzo utilizzare un filtro sull’impianto, un regolatore di pressione e un lubrificante. Prima di collegare l’attrezzo far fuoriuscire un pò di aria dalla tubazione in modo da rimuovere eventuali residui di acqua e sporcizia che possano essersi accumulati.

TUBAZIONE E CONNETTORI

Il D.I. del tubo di alimentazione non deve essere inferiore a 3/8” (10 mm). Il D.I. delle prolunghe deve essere di almeno 1/2” (13 mm). Adoperare giunzioni e connettori con un D.I. di almeno 3/8” (10 mm). Quando si utilizzano giunzioni ad innesto rapido, installare un tubo conduttore di 2 m. tra l’attrezzo e le giunzioni stesse.

LUBRIFICAZIONE

Utilizzare olio per motori ad aria SIOUX n. 288. Si raccomanda l’utilizzo di un impianto di lubrificazione per circuiti ad aria compressa regolato ad una velocità da 2 a 4 gocce al minuto. Se non viene utilizzato alcun impianto di lubrificazione aggiungere, due volte al giorno, 1,2 cc (da 12 a 15 gocce) di olio all’interno della cassetta di aspirazione aria.

Lubrificare con grasso SIOUX n. 289A gli ingranaggi ogni 100 ore di utilizzo.

Lubrificare con grasso SIOUX n. 1232A ogni 40 ore di utilizzo le frizioni regolabili ad innesto dentato.

USO GENERALE

Il motore ad aria viene avviato premendo l’apposita levetta di comando o grilletto. La velocità del motore può essere controllata regolando l’apposito comando con testa ad intaglio collocato sul corpo dell’attrezzo o sulla superficie del grilletto su alcuni modelli.



Sugli apparecchi reversibili il senso di rotazione del mandrino viene controllato dal pulsante di reversibilità. Quando si preme tale pulsante il mandrino gira in senso antiorario. Premere sempre il pulsante a fondo per ottenere la massima potenza. Su alcuni modelli si può bloccare il pulsante di reversibilità nella posizione di rotazione inversa premendo completamente il pulsante stesso ruotandolo in senso orario.

Informazioni sul funzionamento della frizione

Cacciaviti ed avvitatori

TRASMISSIONE DIRETTA Il mandrino gira insieme al motore. Il motore va in stallo quando è stata raggiunta una forza di serraggio elevata sulla parte girevole.

FRIZIONE DIRETTA Il mandrino non gira insieme al motore. Esercitando pressione sul mandrino si innesta il dispositivo a ganasce diritte per far girare il mandrino stesso. Il motore va in stallo quando è stata raggiunta una forza di serraggio elevata sulla parte girevole.

FRIZIONE AD INNESTO DENTATO-GANASCE ANGOLARI Il mandrino non gira insieme al motore. Esercitando pressione sul mandrino si innesta il dispositivo a ganasce angolari per far girare il mandrino stesso. La frizione “saltella” quando viene raggiunto un certo valore di coppia di serraggio. Il valore di coppia sulla parte girevole viene determinata dalla pressione esercitata sull’attrezzo da parte dell’operatore.

FRIZIONE AD INNESTO DENTATO CON GANASCE A RULLO Simile al dispositivo a ganasce angolari ad eccezione dei 4 rulli che innestano gli ingranaggi angolari dentati. Saltella più velocemente ed il flusso dell’aria compressa è meno intenso.

FRIZIONE REGOLABILE Il mandrino non gira insieme al motore. Esercitando pressione sul mandrino si innesta la frizione che fa girare il mandrino stesso. Quando la parte girevole ha raggiunto il valore di coppia predeterminato la frizione inizia a “saltellare.” Regolando la pressione della molla si variano i valori di coppia per il serraggio.

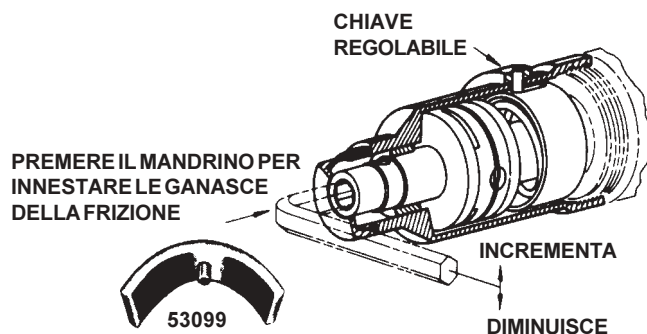
Regolazione della frizione

OLTRE I 25 POLLICI PER LIBBRA

Posizionare la chiave regolabile (attrezzo n. 53099) con la spina infilata nell’apposita apertura sul pacco frizione. Infilare una chiave esagonale da un 1/4 di pollice (6.4 mm) nel portapunta, premere verso l’interno e girare fino a far incastrare la chiave regolabile nella tacca del dado della frizione. Continuare a tenere il portapunta abbassato con la chiave esagonale e ruotare in senso orario per **incrementare** i valori di coppia o in senso antiorario per **diminuirli**.

SOTTO I 25 POLLICI PER LIBBRA SOSTITUIRE LA MOLLA VERDE N. 41284

Di nuovo posizionare la chiave regolabile come indicato per i valori di coppia maggiori ed infilare la lama di un cacciavite nell’apertura del portapunta fino a quando la lama stessa entra in contatto con la tacca in profondità. Ruotare il cacciavite fino a far incastrare la chiave regolabile nell’apposito alloggiamento e, di nuovo, ruotare il cacciavite in senso orario per **incrementare** i valori di coppia o in senso orario per **diminuirli**.



**AVVITATORI E CACCIAVITI E SERIE 2 1/2
CERTIFICAZIONE DI CONFORMITA**

La Sioux Tools, Inc, con sede al 250 Snap-on Drive, P.O. Box 1596, Murphy, NC, 28906, USA,
dichiara sotto la propria e sola responsabilità che i prodotti

2L1101	2P1101	2L1102	2P1102	2L1103	2P1103	2L1104	2P1104	2L1105	2P1105	2L1106	2P1106	2L1107	2P1107
2L1201	2P1201	2L1202	2P1202	2L1203	2P1203	2L1204	2P1204	2L1205	2P1205	2L1206	2P1206	2L1207	2P1207
2L1301	2P1301	2L1302	2P1302	2L1303	2P1303	2L1304	2P1304	2L1305	2P1305	2L1306	2P1306	2L1307	2P1307
												2L1407	2P1407
2L1501	2P1501	2L1502	2P1502	2L1503	2P1503	2L1504	2P1504	2L1505	2P1505	2L1506	2P1506	2L1507	2P1507
2L1601	2P1601	2L1602	2P1602	2L1603	2P1603	2L1604	2P1604	2L1605	2P1605	2L1606	2P1606	2L1607	2P1607
2L2101	2P2101	2L2102	2P2102	2L2103	2P2103	2L2104	2P2104	2L2105	2P2105	2L2106	2P2106	2L2107	2P2107
2L2201	2P2201	2L2202	2P2202	2L2203	2P2203	2L2204	2P2204	2L2205	2P2205	2L2206	2P2206	2L2207	2P2207
2L2301	2P2301	2L2302	2P2302	2L2303	2P2303	2L2304	2P2304	2L2305	2P2305	2L2306	2P2306	2L2307	2P2307
												2L2407	2P2407
2L2501	2P2501	2L2502	2P2502	2L2503	2P2503	2L2504	2P2504	2L2505	2P2505	2L2506	2P2506	2L2507	2P2507
2L2601	2P2601	2L2602	2P2602	2L2603	2P2603	2L2604	2P2604	2L2605	2P2605	2L2606	2P2606	2L2607	2P2607
2LX1101	2PX1101	2LX1102	2PX1102	2LX1103	2PX1103	2LX1104	2PX1104	2LX1105	2PX1105	2LX1106	2PX1106	2LX1107	2PX1107
2LX1201	2PX1201	2LX1202	2PX1202	2LX1203	2PX1203	2LX1204	2PX1204	2LX1205	2PX1205	2LX1206	2PX1206	2LX1207	2PX1207
2LX1301	2PX1301	2LX1302	2PX1302	2LX1303	2PX1303	2LX1304	2PX1304	2LX1305	2PX1305	2LX1306	2PX1306	2LX1307	2PX1307
												2LX1407	2PX1407
2LX1501	2PX1501	2LX1502	2PX1502	2LX1503	2PX1503	2LX1504	2PX1504	2LX1505	2PX1505	2LX1506	2PX1506	2LX1507	2PX1507
2LX1601	2PX1601	2LX1602	2PX1602	2LX1603	2PX1603	2LX1604	2PX1604	2LX1605	2PX1605	2LX1606	2PX1606	2LX1607	2PX1607
2LX2101	2PX2101	2LX2102	2PX2102	2LX2103	2PX2103	2LX2104	2PX2104	2LX2105	2PX2105	2LX2106	2PX2106	2LX2107	2PX2107
2LX2201	2PX2201	2LX2202	2PX2202	2LX2203	2PX2203	2LX2204	2PX2204	2LX2205	2PX2205	2LX2206	2PX2206	2LX2207	2PX2207
2LX2301	2PX2301	2LX2302	2PX2302	2LX2303	2PX2303	2LX2304	2PX2304	2LX2305	2PX2305	2LX2306	2PX2306	2LX2307	2PX2307
												2LX2407	2PX2407
2LX2501	2PX2501	2LX2502	2PX2502	2LX2503	2PX2503	2LX2504	2PX2504	2LX2505	2PX2505	2LX2506	2PX2506		
2LX2601	2PX2601	2LX2602	2PX2602	2LX2603	2PX2603	2LX2604	2PX2604	2LX2605	2PX2605	2LX2606	2PX2606		

inclusi i modelli con suffisso "A, AB, AD, AM, AQ, B, D, DS, M, Q, SB"

ai quali la presente dichiarazione si riferisce sono conformi ai requisiti delle seguenti normative e direttive:

EN 792 (estratto), EN 292 Parte 1 e 2, ISO 8662, Pneurop PN8NTC1

secondo quanto previsto dalla normativa

CEE 89/392 così come aggiornata dalle direttive CEE 91/368 e CE 93/44.

1 giugno 2003
Murphy, North Carolina, USA
Data e luogo del rilascio

Gerald E. Seebeck
Presidente
Sioux Tools Inc.
Nome e posizione del dichiarante


Firma del dichiarante

**TRAPANI SERIE 2 1/2
CERTIFICAZIONE DI CONFORMITA**

La Sioux Tools, Inc, con sede al 250 Snap-on Drive, P.O. Box 1596, Murphy, NC, 28906, USA,
dichiara sotto la propria e sola responsabilità che i prodotti

2L1110	2P1110	2L1120	2P1120	2L1130	2P1130	2L1140	2P1140	2L1170	2P1170	2L1180	2P1180
2L1210	2P1210			2L1230	2P1230	2L1240	2P1240	2L1270	2P1270	2L1280	2P1280
2L1310	2P1310			2L1330	2P1330	2L1340	2P1340	2L1370	2P1370	2L1380	2P1380
2L1410	2P1410			2L1430	2P1430	2L1440	2P1440	2L1470	2P1470	2L1580	2P1580
2L1510	2P1510	2L1520	2P1520	2L1530	2P1530	2L1540	2P1540	2L1570	2P1570	2L1680	2P1680
2L1610	2P1610			2L1630	2P1630	2L1640	2P1640	2L1670	2P1670		
2L1910	2P1910			2L1930	2P1930	2L1940	2P1940	2L1970	2P1970		
2L2110	2P2110	2L2120	2P2120	2L2130	2P2130						
2L2210	2P2210			2L2230	2P2230						
2L2310	2P2310			2L2330	2P2330						
2L2410	2P2410			2L2430	2P2430						
2L2510	2P2510	2L2520	2P2520	2L2530	2P2530						
2L2610	2P2610			2L2630	2P2630						
2L2910	2P2910			2L2930	2P2930						
2LX1110	2PX1110	2LX1120	2PX1120	2LX1130	2PX1130	2LX1140	2PX1140	2LX1170	2PX1170	2LX1180	2PX1180
2LX1210	2PX1210			2LX1230	2PX1230	2LX1240	2PX1240	2LX1270	2PX1270	2LX1280	2PX1280
2LX1310	2PX1310			2LX1330	2PX1330	2LX1340	2PX1340	2LX1370	2PX1370	2LX1380	2PX1380
2LX1410	2PX1410			2LX1430	2PX1430	2LX1440	2PX1440	2LX1470	2PX1470	2LX1580	2PX1580
2LX1510	2PX1510	2LX1520	2PX1520	2LX1530	2PX1530	2LX1540	2PX1540	2LX1570	2PX1570	2LX1680	2PX1680
2LX1610	2PX1610			2LX1630	2PX1630	2LX1640	2PX1640	2LX1670	2PX1670		
2LX1910	2PX1910			2LX1930	2PX1930	2LX1940	2PX1940	2LX1970	2PX1970		
2LX2110	2PX2110	2LX2120	2PX2120	2LX2130	2PX2130						
2LX2210	2PX2210			2LX2230	2PX2230						
2LX2310	2PX2310			2LX2330	2PX2330						
2LX2410	2PX2410			2LX2430	2PX2430						
2LX2510	2PX2510	2LX2520	2PX2520	2LX2530	2PX2530						
2LX2610	2PX2610			2LX2630	2PX2630						
2LX2910	2PX2910			2LX2930	2PX2930						

ai quali la presente dichiarazione si riferisce sono conformi ai requisiti delle seguenti normative e direttive:


EN 792 (estratto), EN 292 Parte 1 e 2, ISO 8662, Pneurop PN8NTC1

secondo quanto previsto dalla normativa

CEE 89/392 così come aggiornata dalle direttive CEE 91/368 e CE 93/44.

1 giugno 2003
Murphy, North Carolina, USA
Data e luogo del rilascio

Gerald E. Seebeck
Presidente
Sioux Tools Inc.
Nome e posizione del dichiarante


Firma del dichiarante

VALORI DI RUMOROSITA' E VIBRAZIONI

AVVITATORI E CACCIATIVI E SERIE 2 1/2 "L"							*Pressione sonora dBA	*Potenza sonora dBA	**Vibrazioni m/s ²
Catalogo n.									
2L1101	2L1102	2L1103	2L1104	2L1105	2L1106	2L1107	82,1	94,8	Less than 2,5
2L1201	2L1202	2L1203	2L1204	2L1205	2L1206	2L1207	82,1	94,8	Less than 2,5
2L1301	2L1302	2L1303	2L1304	2L1305	2L1306	2L1307	82,1	94,8	Less than 2,5
						2L1407	82,1	94,8	Less than 2,5
2L1501	2L1502	2L1503	2L1504	2L1505	2L1506	2L1507	82,1	94,8	Less than 2,5
2L1601	2L1602	2L1603	2L1604	2L1605	2L1606	2L1607	82,1	94,8	Less than 2,5
2L2101	2L2102	2L2103	2L2104	2L2105	2L2106	2L2107	82,1	94,8	Less than 2,5
2L2201	2L2202	2L2203	2L2204	2L2205	2L2206	2L2207	82,1	94,8	Less than 2,5
2L2301	2L2302	2L2303	2L2304	2L2305	2L2306	2L2307	82,1	94,8	Less than 2,5
						2L2407	82,1	94,8	Less than 2,5
2L2501	2L2502	2L2503	2L2504	2L2505	2L2506	2L2507	82,1	94,8	Less than 2,5
2L2601	2L2602	2L2603	2L2604	2L2605	2L2606	2L2607	82,1	94,8	Less than 2,5
2LX1101	2LX1102	2LX1103	2LX1104	2LX1105	2LX1106	2LX1107	82,1	94,8	Less than 2,5
2LX1201	2LX1202	2LX1203	2LX1204	2LX1205	2LX1206	2LX1207	82,1	94,8	Less than 2,5
2LX1301	2LX1302	2LX1303	2LX1304	2LX1305	2LX1306	2LX1307	82,1	94,8	Less than 2,5
						2LX1407	82,1	94,8	Less than 2,5
2LX1501	2LX1502	2LX1503	2LX1504	2LX1505	2LX1506	2LX1507	82,1	94,8	Less than 2,5
2LX1601	2LX1602	2LX1603	2LX1604	2LX1605	2LX1606	2LX1607	82,1	94,8	Less than 2,5
2LX2101	2LX2102	2LX2103	2LX2104	2LX2105	2LX2106	2LX2107	82,1	94,8	Less than 2,5
2LX2201	2LX2202	2LX2203	2LX2204	2LX2205	2LX2206	2LX2207	82,1	94,8	Less than 2,5
2LX2301	2LX2302	2LX2303	2LX2304	2LX2305	2LX2306	2LX2307	82,1	94,8	Less than 2,5
						2LX2407	82,1	94,8	Less than 2,5
2LX2501	2LX2502	2LX2503	2LX2504	2LX2505	2LX2506		82,1	94,8	Less than 2,5
2LX2601	2LX2602	2LX2603	2LX2604	2LX2605	2LX2606		82,1	94,8	Less than 2,5

VALORI DI RUMOROSITA' E VIBRAZIONI

AVVITATORI E CACCIATIVI E SERIE 2 1/2 "P"							*Pressione sonora dBA	*Potenza sonora dBA	**Vibrazioni m/s ²
Catalogo n.									
2P1101	2P1102	2P1103	2P1104	2P1105	2P1106	2P1107	81,8	94,5	Less than 2,5
2P1201	2P1202	2P1203	2P1204	2P1205	2P1206	2P1207	81,8	94,5	Less than 2,5
2P1301	2P1302	2P1303	2P1304	2P1305	2P1306	2P1307	81,8	94,5	Less than 2,5
						2P1407	81,8	94,5	Less than 2,5
2P1501	2P1502	2P1503	2P1504	2P1505	2P1506	2P1507	81,8	94,5	Less than 2,5
2P1601	2P1602	2P1603	2P1604	2P1605	2P1606	2P1607	81,8	94,5	Less than 2,5
2P2101	2P2102	2P2103	2P2104	2P2105	2P2106	2P2107	81,8	94,5	Less than 2,5
2P2201	2P2202	2P2203	2P2204	2P2205	2P2206	2P2207	81,8	94,5	Less than 2,5
2P2301	2P2302	2P2303	2P2304	2P2305	2P2306	2P2307	81,8	94,5	Less than 2,5
						2P2407	81,8	94,5	Less than 2,5
2P2501	2P2502	2P2503	2P2504	2P2505	2P2506	2P2507	81,8	94,5	Less than 2,5
2P2601	2P2602	2P2603	2P2604	2P2605	2P2606	2P2607	81,8	94,5	Less than 2,5
2PX1101	2PX1102	2PX1103	2PX1104	2PX1105	2PX1106	2PX1107	81,8	94,5	Less than 2,5
2PX1201	2PX1202	2PX1203	2PX1204	2PX1205	2PX1206	2PX1207	81,8	94,5	Less than 2,5
2PX1301	2PX1302	2PX1303	2PX1304	2PX1305	2PX1306	2PX1307	81,8	94,5	Less than 2,5
						2PX1407	81,8	94,5	Less than 2,5
2PX1501	2PX1502	2PX1503	2PX1504	2PX1505	2PX1506	2PX1507	81,8	94,5	Less than 2,5
2PX1601	2PX1602	2PX1603	2PX1604	2PX1605	2PX1606	2PX1607	81,8	94,5	Less than 2,5
2PX2101	2PX2102	2PX2103	2PX2104	2PX2105	2PX2106	2PX2107	81,8	94,5	Less than 2,5
2PX2201	2PX2202	2PX2203	2PX2204	2PX2205	2PX2206	2PX2207	81,8	94,5	Less than 2,5
2PX2301	2PX2302	2PX2303	2PX2304	2PX2305	2PX2306	2PX2307	81,8	94,5	Less than 2,5
						2PX2407	81,8	94,5	Less than 2,5
2PX2501	2PX2502	2PX2503	2PX2504	2PX2505	2PX2506		81,8	94,5	Less than 2,5
2PX2601	2PX2602	2PX2603	2PX2604	2PX2605	2PX2606		81,8	94,5	Less than 2,5

*secondo PN8NTC1

**secondo ISO 8662

VALORI DI RUMOROSITA' E VIBRAZIONI

TRAPANI SERIE 2 1/2 "L"						*Pressione sonora dBA	*Potenza sonora dBA	**Vibrazioni m/s ²
Catalogo n.								
2L1110	2L1120	2L1130	2L1140	2L1170	2L1180	82,1	94,8	Less than 2,5
2L1210		2L1230	2L1240	2L1270	2L1280	82,1	94,8	Less than 2,5
2L1310		2L1330	2L1340	2L1370	2L1380	82,1	94,8	Less than 2,5
2L1410		2L1430	2L1440	2L1470		82,1	94,8	Less than 2,5
2L1510	2L1520	2L1530	2L1540	2L1570	2L1580	82,1	94,8	Less than 2,5
2L1610		2L1630	2L1640	2L1670	2L1680	82,1	94,8	Less than 2,5
2L1910		2L1930	2L1940	2L1970		82,1	94,8	Less than 2,5
2L2110	2L2120	2L2130				82,1	94,8	Less than 2,5
2L2210		2L2230				82,1	94,8	Less than 2,5
2L2310		2L2330				82,1	94,8	Less than 2,5
2L2410		2L2430				82,1	94,8	Less than 2,5
2L2510	2L2520	2L2530				82,1	94,8	Less than 2,5
2L2610		2L2630				82,1	94,8	Less than 2,5
2L2910		2L2930				82,1	94,8	Less than 2,5
2LX1110	2LX1120	2LX1130	2LX1140	2LX1170	2LX1180	82,1	94,8	Less than 2,5
2LX1210		2LX1230	2LX1240	2LX1270	2LX1280	82,1	94,8	Less than 2,5
2LX1310		2LX1330	2LX1340	2LX1370	2LX1380	82,1	94,8	Less than 2,5
2LX1410		2LX1430	2LX1440	2LX1470		82,1	94,8	Less than 2,5
2LX1510	2LX1520	2LX1530	2LX1540	2LX1570	2LX1580	82,1	94,8	Less than 2,5
2LX1610		2LX1630	2LX1640	2LX1670	2LX1680	82,1	94,8	Less than 2,5
2LX1910		2LX1930	2LX1940	2LX1970		82,1	94,8	Less than 2,5
2LX2110	2LX2120	2LX2130				82,1	94,8	Less than 2,5
2LX2210		2LX2230				82,1	94,8	Less than 2,5
2LX2310		2LX2330				82,1	94,8	Less than 2,5
2LX2410		2LX2430				82,1	94,8	Less than 2,5
2LX2510	2LX2520	2LX2530				82,1	94,8	Less than 2,5
2LX2610		2LX2630				82,1	94,8	Less than 2,5
2LX2910		2LX2930				82,1	94,8	Less than 2,5

VALORI DI RUMOROSITA' E VIBRAZIONI

TRAPANI SERIE 2 1/2 "P"						*Pressione sonora dBA	*Potenza sonora dBA	**Vibrazioni m/s ²
Catalogo n.								
2P1110	2P1120	2P1130	2P1140	2P1170	2P1180	81,8	94,5	Less than 2,5
2P1210		2P1230	2P1240	2P1270	2P1280	81,8	94,5	Less than 2,5
2P1310		2P1330	2P1340	2P1370	2P1380	81,8	94,5	Less than 2,5
2P1410		2P1430	2P1440	2P1470		81,8	94,5	Less than 2,5
2P1510	2P1520	2P1530	2P1540	2P1570	2P1580	81,8	94,5	Less than 2,5
2P1610		2P1630	2P1640	2P1670	2P1680	81,8	94,5	Less than 2,5
2P1910		2P1930	2P1940	2P19770		81,8	94,5	Less than 2,5
2P2110	2P2120	2P2130				81,8	94,5	Less than 2,5
2P2210		2P2230				81,8	94,5	Less than 2,5
2P2310		2P2330				81,8	94,5	Less than 2,5
2P2410		2P2430				81,8	94,5	Less than 2,5
2P2510	2P2520	2P2530				81,8	94,5	Less than 2,5
2P2610		2P2630				81,8	94,5	Less than 2,5
2P2910		2P2930				81,8	94,5	Less than 2,5
2PX1110	2PX1120	2PX1130	2PX1140	2PX1170	2XP1180	81,8	94,5	Less than 2,5
2PX1210		2PX1230	2PX1240	2PX1270	2XP1280	81,8	94,5	Less than 2,5
2PX1310		2PX1330	2PX1340	2PX1370	2XP1380	81,8	94,5	Less than 2,5
2PX1410		2PX1430	2PX1440	2PX1470		81,8	94,5	Less than 2,5
2PX1510	2PX1520	2PX1530	2PX1540	2PX1570	2XP1580	81,8	94,5	Less than 2,5
2PX1610		2PX1630	2PX1640	2PX1670	2XP1680	81,8	94,5	Less than 2,5
2PX1910		2PX1930	2PX1940	2PX19770		81,8	94,5	Less than 2,5
2PX2110	2PX2120	2PX2130				81,8	94,5	Less than 2,5
2PX2210		2PX2230				81,8	94,5	Less than 2,5
2PX2310		2PX2330				81,8	94,5	Less than 2,5
2PX2410		2PX2430				81,8	94,5	Less than 2,5
2PX2510	2PX2520	2PX2530				81,8	94,5	Less than 2,5
2PX2610		2PX2630				81,8	94,5	Less than 2,5
2PX2910		2PX2930				81,8	94,5	Less than 2,5



INSTRUCTIONS POUR VISSEUSES, CLÉS ET PERCEUSES DES GAMMES 2-1/2

Avant de vous servir de ce matériel, lisez soigneusement ces instructions ainsi que la **fiche sécurité sur l'outillage pneumatique**.

ALIMENTATION EN AIR

L'efficacité de l'outil dépend de la qualité de l'air d'alimentation, qui doit être sec et propre, et de la pression, qui doit être de 6,2 bar (90 psi). Son rendement et sa durée de vie seront améliorés si un filtre de circuit d'alimentation, un régulateur de pression et un lubrificateur d'air sont utilisés. Avant de brancher l'outil, purgez l'air de la ligne pour en éliminer l'eau et les saletés ayant pu s'y accumuler.

TUYAUX ET RACCORDS

Le diamètre interne de la manchette ne doit pas être inférieur à 10 mm (3/8"). Celui des rallonges doit être d'au moins 13 mm (1/2"). Le diamètre interne des raccords et des embouts doit être d'au moins 10 mm (3/8").

LUBRIFICATION

Utilisez l'huile SIOUX de référence 288 prévue pour moteur pneumatique. Il est recommandé d'utiliser un lubrificateur d'air délivrant 2 à 4 gouttes d'huile par minute. En l'absence de lubrificateur, ajoutez deux fois par jour 1,2 ml d'huile (0,04 once, soit 12 à 15 gouttes) dans l'arrivée d'air.

Lubrifiez les engrenages toutes les 100 heures d'utilisation avec la graisse SIOUX de référence 289A.

Lubrifiez les embrayages à couple fixe ou variable toutes les 40 heures d'utilisation avec la graisse SIOUX de référence 1232A.

FONCTIONNEMENT

Le moteur pneumatique est commandé en appuyant sur la gâchette de l'outil. La vitesse du moteur peut être ajustée avec la tête fendue située sur le carter ou, pour certains modèles, sur la gâchette



Sur les outils avec inversion, le sens de rotation de la broche est sélectionné avec le bouton inverseur. Quand le bouton est enfoncé, la broche tourne dans le sens inverse de celui des aiguilles d'une montre. Pour obtenir la puissance maximale, enfoncez le bouton bien à fond. Sur certains modèles, le bouton peut être verrouillé en position inversion lorsqu'il est enfoncé entièrement et tourné vers la droite.

Fonctionnement des différents embrayages

Clés et visseuses

- ENTRAÎNEMENT DIRECT** Broche toujours solidaire du moteur. Moteur se bloquant quand la pièce est serrée.
- EMBRAYAGE SIMPLE** Broche libre s'engageant sur des mors droits quand l'opérateur exerce une pression sur l'outil. Moteur se bloquant quand la pièce est serrée.
- EMBRAYAGE À COUPLE VARIABLE AVEC MORS OBLIQUES** Broche libre s'engageant sur des mors obliques quand l'opérateur exerce une pression sur l'outil. Désembrayage automatique (cliquetage) quand un certain couple de serrage est atteint. Couple déterminé par la pression exercée par l'opérateur sur l'outil.
- EMBRAYAGE À COUPLE VARIABLE AVEC MORS À GALETS** Comparable au type à mors obliques, mais le couplage se fait par 4 galets sur des dents obliques. Désembrayage plus rapide (cliquetage) et impact moins puissant.
- EMBRAYAGE À COUPLE FIXE RÉGLABLE** Broche libre s'engageant quand l'opérateur exerce une pression sur l'outil. Désembrayage automatique (cliquetage) quand un certain couple de serrage est atteint. Couple déterminé par le réglage d'un ressort.

Réglage d'un embrayage à couple fixe réglable

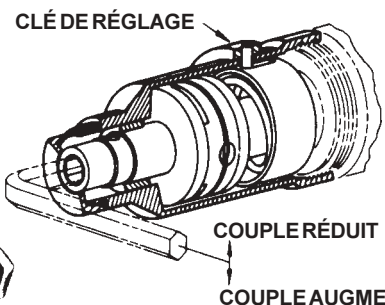
COUPLES DE SERRAGE SUPÉRIEURS À 2,8 N.M (25 POUCE-LIVRE)

Pour ajuster l'embrayage, insérez la clé de réglage (réf. 53099) à ergot dans l'ouverture du carter d'embrayage. Insérez une clé mâle de 6,4 mm (1/4") dans le porte-embout, enfoncez-la et tournez-la pour que la clé de réglage vienne dans la fente de l'écrou de l'embrayage. Maintenez le porte-embout enfoncé avec la clé mâle en place et vissez, soit dans le sens des aiguilles d'une montre pour **augmenter** le couple, soit au contraire dans le sens inverse pour **réduire** le couple de serrage.

COUPLES DE SERRAGE INFÉRIEURS À 2,8 N.M (25 POUCE-LIVRE): UTILISEZ LE RESSORT VERT RÉF. 41284

Mettez de nouveau la clé de réglage en position comme pour le couple maximal. Insérez la lame d'un tournevis dans l'ouverture du porte-embout pour l'amener au contact de la fente au fond. Faites tourner la lame jusqu'à ce que la clé de réglage soit en place, puis continuez à visser, soit dans le sens des aiguilles d'une montre pour **augmenter** le couple, soit au contraire dans le sens inverse pour **réduire** le couple de serrage.

APPUYEZ SUR LA BROCHE POUR ENGAGER LES MORS DE L'EMBRAYAGE



**VISSEUSES ET CLÉS DES GAMMES 2-1/2
DÉCLARATION DE CONFORMITÉ**

La société Sioux Tools, Inc., située à : 250 Snap-on Drive, P.O. Box 1596, Murphy, NC, 28906, USA, dans l'Etat de l'Iowa (États-Unis),
déclare sous sa seule responsabilité que les produits

2L1101	2P1101	2L1102	2P1102	2L1103	2P1103	2L1104	2P1104	2L1105	2P1105	2L1106	2P1106	2L1107	2P1107
2L1201	2P1201	2L1202	2P1202	2L1203	2P1203	2L1204	2P1204	2L1205	2P1205	2L1206	2P1206	2L1207	2P1207
2L1301	2P1301	2L1302	2P1302	2L1303	2P1303	2L1304	2P1304	2L1305	2P1305	2L1306	2P1306	2L1307	2P1307
												2L1407	2P1407
2L1501	2P1501	2L1502	2P1502	2L1503	2P1503	2L1504	2P1504	2L1505	2P1505	2L1506	2P1506	2L1507	2P1507
2L1601	2P1601	2L1602	2P1602	2L1603	2P1603	2L1604	2P1604	2L1605	2P1605	2L1606	2P1606	2L1607	2P1607
2L2101	2P2101	2L2102	2P2102	2L2103	2P2103	2L2104	2P2104	2L2105	2P2105	2L2106	2P2106	2L2107	2P2107
2L2201	2P2201	2L2202	2P2202	2L2203	2P2203	2L2204	2P2204	2L2205	2P2205	2L2206	2P2206	2L2207	2P2207
2L2301	2P2301	2L2302	2P2302	2L2303	2P2303	2L2304	2P2304	2L2305	2P2305	2L2306	2P2306	2L2307	2P2307
												2L2407	2P2407
2L2501	2P2501	2L2502	2P2502	2L2503	2P2503	2L2504	2P2504	2L2505	2P2505	2L2506	2P2506	2L2507	2P2507
2L2601	2P2601	2L2602	2P2602	2L2603	2P2603	2L2604	2P2604	2L2605	2P2605	2L2606	2P2606	2L2607	2P2607
2LX1101	2PX1101	2LX1102	2PX1102	2LX1103	2PX1103	2LX1104	2PX1104	2LX1105	2PX1105	2LX1106	2PX1106	2LX1107	2PX1107
2LX1201	2PX1201	2LX1202	2PX1202	2LX1203	2PX1203	2LX1204	2PX1204	2LX1205	2PX1205	2LX1206	2PX1206	2LX1207	2PX1207
2LX1301	2PX1301	2LX1302	2PX1302	2LX1303	2PX1303	2LX1304	2PX1304	2LX1305	2PX1305	2LX1306	2PX1306	2LX1307	2PX1307
												2LX1407	2PX1407
2LX1501	2PX1501	2LX1502	2PX1502	2LX1503	2PX1503	2LX1504	2PX1504	2LX1505	2PX1505	2LX1506	2PX1506	2LX1507	2PX1507
2LX1601	2PX1601	2LX1602	2PX1602	2LX1603	2PX1603	2LX1604	2PX1604	2LX1605	2PX1605	2LX1606	2PX1606	2LX1607	2PX1607
2LX2101	2PX2101	2LX2102	2PX2102	2LX2103	2PX2103	2LX2104	2PX2104	2LX2105	2PX2105	2LX2106	2PX2106	2LX2107	2PX2107
2LX2201	2PX2201	2LX2202	2PX2202	2LX2203	2PX2203	2LX2204	2PX2204	2LX2205	2PX2205	2LX2206	2PX2206	2LX2207	2PX2207
2LX2301	2PX2301	2LX2302	2PX2302	2LX2303	2PX2303	2LX2304	2PX2304	2LX2305	2PX2305	2LX2306	2PX2306	2LX2307	2PX2307
												2LX2407	2PX2407
2LX2501	2PX2501	2LX2502	2PX2502	2LX2503	2PX2503	2LX2504	2PX2504	2LX2505	2PX2505	2LX2506	2PX2506		
2LX2601	2PX2601	2LX2602	2PX2602	2LX2603	2PX2603	2LX2604	2PX2604	2LX2605	2PX2605	2LX2606	2PX2606		

comprenant les suffixes "A, AB, AD, AM, AQ, B, D, DS, M, Q, SB"

visés par cette déclaration sont conformes aux normes ou aux documents normatifs suivants :

EN 792 (version préliminaire), EN 292 Parties 1 et 2, ISO 8662, PNEUROP PN8NTC1

en respectant les dispositions suivantes

89/392/EEC revue par les directives européennes 91/368/EEC et 93/44/EC.

1^{er} juin 2003

Murphy, North Carolina, USA

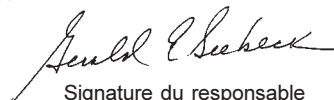
Date et lieu de publication

Gerald E. Seebeck

Président

Sioux Tools Inc.

Nom et poste occupé par le responsable


Signature du responsable

**PERCEUSES DES GAMMES 2-1/2
DÉCLARATION DE CONFORMITÉ**

La société Sioux Tools, Inc., située à : 250 Snap-on Drive, P.O. Box 1596, Murphy, NC, 28906, USA, dans l'Etat de l'Iowa (États-Unis),
déclare sous sa seule responsabilité que les produits

2L1110	2P1110	2L1120	2P1120	2L1130	2P1130	2L1140	2P1140	2L1170	2P1170	2L1180	2P1180
2L1210	2P1210			2L1230	2P1230	2L1240	2P1240	2L1270	2P1270	2L1280	2P1280
2L1310	2P1310			2L1330	2P1330	2L1340	2P1340	2L1370	2P1370	2L1380	2P1380
2L1410	2P1410			2L1430	2P1430	2L1440	2P1440	2L1470	2P1470	2L1580	2P1580
2L1510	2P1510	2L1520	2P1520	2L1530	2P1530	2L1540	2P1540	2L1570	2P1570	2L1680	2P1680
2L1610	2P1610			2L1630	2P1630	2L1640	2P1640	2L1670	2P1670		
2L1910	2P1910			2L1930	2P1930	2L1940	2P1940	2L1970	2P1970		
2L2110	2P2110	2L2120	2P2120	2L2130	2P2130						
2L2210	2P2210			2L2230	2P2230						
2L2310	2P2310			2L2330	2P2330						
2L2410	2P2410			2L2430	2P2430						
2L2510	2P2510	2L2520	2P2520	2L2530	2P2530						
2L2610	2P2610			2L2630	2P2630						
2L2910	2P2910			2L2930	2P2930						
2LX1110	2PX1110	2LX1120	2PX1120	2LX1130	2PX1130	2LX1140	2PX1140	2LX1170	2PX1170	2LX1180	2PX1180
2LX1210	2PX1210			2LX1230	2PX1230	2LX1240	2PX1240	2LX1270	2PX1270	2LX1280	2PX1280
2LX1310	2PX1310			2LX1330	2PX1330	2LX1340	2PX1340	2LX1370	2PX1370	2LX1380	2PX1380
2LX1410	2PX1410			2LX1430	2PX1430	2LX1440	2PX1440	2LX1470	2PX1470	2LX1580	2PX1580
2LX1510	2PX1510	2LX1520	2PX1520	2LX1530	2PX1530	2LX1540	2PX1540	2LX1570	2PX1570	2LX1680	2PX1680
2LX1610	2PX1610			2LX1630	2PX1630	2LX1640	2PX1640	2LX1670	2PX1670		
2LX1910	2PX1910			2LX1930	2PX1930	2LX1940	2PX1940	2LX1970	2PX1970		
2LX2110	2PX2110	2LX2120	2PX2120	2LX2130	2PX2130						
2LX2210	2PX2210			2LX2230	2PX2230						
2LX2310	2PX2310			2LX2330	2PX2330						
2LX2410	2PX2410			2LX2430	2PX2430						
2LX2510	2PX2510	2LX2520	2PX2520	2LX2530	2PX2530						
2LX2610	2PX2610			2LX2630	2PX2630						
2LX2910	2PX2910			2LX2930	2PX2930						

visés par cette déclaration sont conformes aux normes ou aux documents normatifs suivants :

EN 792 (version préliminaire), EN 292 Parties 1 et 2, ISO 8662, PNEUROP PN8NTC1

en respectant les dispositions suivantes

89/392/EEC revue par les directives européennes 91/368/EEC et 93/44/EC.

1^{er} juin 2003

Murphy, North Carolina, USA

Date et lieu de publication

Gerald E. Seebeck

Président

Sioux Tools Inc.

Nom et poste occupé par le responsable


Signature du responsable

MESURES DU SON ET DES VIBRATIONS

VISSEUSES ET CLÉS DES GAMMES 2-1/2 "L"									
Réf. catalogue							*Pression acoustique dBA	*Puissance acoustique dBA	**Vibration m/s ²
2L1101	2L1102	2L1103	2L1104	2L1105	2L1106	2L1107	82,1	94,8	Less than 2,5
2L1201	2L1202	2L1203	2L1204	2L1205	2L1206	2L1207	82,1	94,8	Less than 2,5
2L1301	2L1302	2L1303	2L1304	2L1305	2L1306	2L1307	82,1	94,8	Less than 2,5
						2L1407	82,1	94,8	Less than 2,5
2L1501	2L1502	2L1503	2L1504	2L1505	2L1506	2L1507	82,1	94,8	Less than 2,5
2L1601	2L1602	2L1603	2L1604	2L1605	2L1606	2L1607	82,1	94,8	Less than 2,5
2L2101	2L2102	2L2103	2L2104	2L2105	2L2106	2L2107	82,1	94,8	Less than 2,5
2L2201	2L2202	2L2203	2L2204	2L2205	2L2206	2L2207	82,1	94,8	Less than 2,5
2L2301	2L2302	2L2303	2L2304	2L2305	2L2306	2L2307	82,1	94,8	Less than 2,5
						2L2407	82,1	94,8	Less than 2,5
2L2501	2L2502	2L2503	2L2504	2L2505	2L2506	2L2507	82,1	94,8	Less than 2,5
2L2601	2L2602	2L2603	2L2604	2L2605	2L2606	2L2607	82,1	94,8	Less than 2,5
2LX1101	2LX1102	2LX1103	2LX1104	2LX1105	2LX1106	2LX1107	82,1	94,8	Less than 2,5
2LX1201	2LX1202	2LX1203	2LX1204	2LX1205	2LX1206	2LX1207	82,1	94,8	Less than 2,5
2LX1301	2LX1302	2LX1303	2LX1304	2LX1305	2LX1306	2LX1307	82,1	94,8	Less than 2,5
						2LX1407	82,1	94,8	Less than 2,5
2LX1501	2LX1502	2LX1503	2LX1504	2LX1505	2LX1506	2LX1507	82,1	94,8	Less than 2,5
2LX1601	2LX1602	2LX1603	2LX1604	2LX1605	2LX1606	2LX1607	82,1	94,8	Less than 2,5
2LX2101	2LX2102	2LX2103	2LX2104	2LX2105	2LX2106	2LX2107	82,1	94,8	Less than 2,5
2LX2201	2LX2202	2LX2203	2LX2204	2LX2205	2LX2206	2LX2207	82,1	94,8	Less than 2,5
2LX2301	2LX2302	2LX2303	2LX2304	2LX2305	2LX2306	2LX2307	82,1	94,8	Less than 2,5
						2LX2407	82,1	94,8	Less than 2,5
2LX2501	2LX2502	2LX2503	2LX2504	2LX2505	2LX2506		82,1	94,8	Less than 2,5
2LX2601	2LX2602	2LX2603	2LX2604	2LX2605	2LX2606		82,1	94,8	Less than 2,5

MESURES DU SON ET DES VIBRATIONS

VISSEUSES ET CLÉS DES GAMMES 2-1/2 "P"									
Réf. catalogue							*Pression acoustique dBA	*Puissance acoustique dBA	**Vibration m/s ²
2P1101	2P1102	2P1103	2P1104	2P1105	2P1106	2P1107	81,8	94,5	Less than 2,5
2P1201	2P1202	2P1203	2P1204	2P1205	2P1206	2P1207	81,8	94,5	Less than 2,5
2P1301	2P1302	2P1303	2P1304	2P1305	2P1306	2P1307	81,8	94,5	Less than 2,5
						2P1407	81,8	94,5	Less than 2,5
2P1501	2P1502	2P1503	2P1504	2P1505	2P1506	2P1507	81,8	94,5	Less than 2,5
2P1601	2P1602	2P1603	2P1604	2P1605	2P1606	2P1607	81,8	94,5	Less than 2,5
2P2101	2P2102	2P2103	2P2104	2P2105	2P2106	2P2107	81,8	94,5	Less than 2,5
2P2201	2P2202	2P2203	2P2204	2P2205	2P2206	2P2207	81,8	94,5	Less than 2,5
2P2301	2P2302	2P2303	2P2304	2P2305	2P2306	2P2307	81,8	94,5	Less than 2,5
						2P2407	81,8	94,5	Less than 2,5
2P2501	2P2502	2P2503	2P2504	2P2505	2P2506	2P2507	81,8	94,5	Less than 2,5
2P2601	2P2602	2P2603	2P2604	2P2605	2P2606	2P2607	81,8	94,5	Less than 2,5
2PX1101	2PX1102	2PX1103	2PX1104	2PX1105	2PX1106	2PX1107	81,8	94,5	Less than 2,5
2PX1201	2PX1202	2PX1203	2PX1204	2PX1205	2PX1206	2PX1207	81,8	94,5	Less than 2,5
2PX1301	2PX1302	2PX1303	2PX1304	2PX1305	2PX1306	2PX1307	81,8	94,5	Less than 2,5
						2PX1407	81,8	94,5	Less than 2,5
2PX1501	2PX1502	2PX1503	2PX1504	2PX1505	2PX1506	2PX1507	81,8	94,5	Less than 2,5
2PX1601	2PX1602	2PX1603	2PX1604	2PX1605	2PX1606	2PX1607	81,8	94,5	Less than 2,5
2PX2101	2PX2102	2PX2103	2PX2104	2PX2105	2PX2106	2PX2107	81,8	94,5	Less than 2,5
2PX2201	2PX2202	2PX2203	2PX2204	2PX2205	2PX2206	2PX2207	81,8	94,5	Less than 2,5
2PX2301	2PX2302	2PX2303	2PX2304	2PX2305	2PX2306	2PX2307	81,8	94,5	Less than 2,5
						2PX2407	81,8	94,5	Less than 2,5
2PX2501	2PX2502	2PX2503	2PX2504	2PX2505	2PX2506		81,8	94,5	Less than 2,5
2PX2601	2PX2602	2PX2603	2PX2604	2PX2605	2PX2606		81,8	94,5	Less than 2,5

*selon PN8NTC1

**selon ISO 8662

MESURES DU SON ET DES VIBRATIONS

PERCEUSES DES GAMMES 2-1/2 "L"								
Réf. catalogue						*Pression acoustique dBA	*Puissance acoustique dBA	**Vibration m/s ²
2L1110	2L1120	2L1130	2L1140	2L1170	2L1180	82,1	94,8	Less than 2,5
2L1210		2L1230	2L1240	2L1270	2L1280	82,1	94,8	Less than 2,5
2L1310		2L1330	2L1340	2L1370	2L1380	82,1	94,8	Less than 2,5
2L1410		2L1430	2L1440	2L1470		82,1	94,8	Less than 2,5
2L1510	2L1520	2L1530	2L1540	2L1570	2L1580	82,1	94,8	Less than 2,5
2L1610		2L1630	2L1640	2L1670	2L1680	82,1	94,8	Less than 2,5
2L1910		2L1930	2L1940	2L1970		82,1	94,8	Less than 2,5
2L2110	2L2120	2L2130				82,1	94,8	Less than 2,5
2L2210		2L2230				82,1	94,8	Less than 2,5
2L2310		2L2330				82,1	94,8	Less than 2,5
2L2410		2L2430				82,1	94,8	Less than 2,5
2L2510	2L2520	2L2530				82,1	94,8	Less than 2,5
2L2610		2L2630				82,1	94,8	Less than 2,5
2L2910		2L2930				82,1	94,8	Less than 2,5
2LX1110	2LX1120	2LX1130	2LX1140	2LX1170	2LX1180	82,1	94,8	Less than 2,5
2LX1210		2LX1230	2LX1240	2LX1270	2LX1280	82,1	94,8	Less than 2,5
2LX1310		2LX1330	2LX1340	2LX1370	2LX1380	82,1	94,8	Less than 2,5
2LX1410		2LX1430	2LX1440	2LX1470		82,1	94,8	Less than 2,5
2LX1510	2LX1520	2LX1530	2LX1540	2LX1570	2LX1580	82,1	94,8	Less than 2,5
2LX1610		2LX1630	2LX1640	2LX1670	2LX1680	82,1	94,8	Less than 2,5
2LX1910		2LX1930	2LX1940	2LX1970		82,1	94,8	Less than 2,5
2LX2110	2LX2120	2LX2130				82,1	94,8	Less than 2,5
2LX2210		2LX2230				82,1	94,8	Less than 2,5
2LX2310		2LX2330				82,1	94,8	Less than 2,5
2LX2410		2LX2430				82,1	94,8	Less than 2,5
2LX2510	2LX2520	2LX2530				82,1	94,8	Less than 2,5
2LX2610		2LX2630				82,1	94,8	Less than 2,5
2LX2910		2LX2930				82,1	94,8	Less than 2,5

MESURES DU SON ET DES VIBRATIONS

PERCEUSES DES GAMMES 2-1/2 "P"								
Réf. catalogue						*Pression acoustique dBA	*Puissance acoustique dBA	**Vibration m/s ²
2P1110	2P1120	2P1130	2P1140	2P1170	2P1180	81,8	94,5	Less than 2,5
2P1210		2P1230	2P1240	2P1270	2P1280	81,8	94,5	Less than 2,5
2P1310		2P1330	2P1340	2P1370	2P1380	81,8	94,5	Less than 2,5
2P1410		2P1430	2P1440	2P1470		81,8	94,5	Less than 2,5
2P1510	2P1520	2P1530	2P1540	2P1570	2P1580	81,8	94,5	Less than 2,5
2P1610		2P1630	2P1640	2P1670	2P1680	81,8	94,5	Less than 2,5
2P1910		2P1930	2P1940	2P1970		81,8	94,5	Less than 2,5
2P2110	2P2120	2P2130				81,8	94,5	Less than 2,5
2P2210		2P2230				81,8	94,5	Less than 2,5
2P2310		2P2330				81,8	94,5	Less than 2,5
2P2410		2P2430				81,8	94,5	Less than 2,5
2P2510	2P2520	2P2530				81,8	94,5	Less than 2,5
2P2610		2P2630				81,8	94,5	Less than 2,5
2P2910		2P2930				81,8	94,5	Less than 2,5
2PX1110	2PX1120	2PX1130	2PX1140	2PX1170	2XP1180	81,8	94,5	Less than 2,5
2PX1210		2PX1230	2PX1240	2PX1270	2XP1280	81,8	94,5	Less than 2,5
2PX1310		2PX1330	2PX1340	2PX1370	2XP1380	81,8	94,5	Less than 2,5
2PX1410		2PX1430	2PX1440	2PX1470		81,8	94,5	Less than 2,5
2PX1510	2PX1520	2PX1530	2PX1540	2PX1570	2XP1580	81,8	94,5	Less than 2,5
2PX1610		2PX1630	2PX1640	2PX1670	2XP1680	81,8	94,5	Less than 2,5
2PX1910		2PX1930	2PX1940	2PX1970		81,8	94,5	Less than 2,5
2PX2110	2PX2120	2PX2130				81,8	94,5	Less than 2,5
2PX2210		2PX2230				81,8	94,5	Less than 2,5
2PX2310		2PX2330				81,8	94,5	Less than 2,5
2PX2410		2PX2430				81,8	94,5	Less than 2,5
2PX2510	2PX2520	2PX2530				81,8	94,5	Less than 2,5
2PX2610		2PX2630				81,8	94,5	Less than 2,5
2PX2910		2PX2930				81,8	94,5	Less than 2,5

*selon PN8NTC1

**selon ISO 8662



INSTRUCTIES VOOR MOERSLEUTELS, SCHROEVEDRAAIERS & BOREN

Voordat u de machine in werking stelt, moet u deze instructies en de

“**Veiligheidsvoorschriften voor perslucht machines**” gelezen en begrepen hebben.
PERSLUCHTTOEVOER

Het gebruik van droge perslucht met de geschikte druk (90 psig / 6,2 bar) is bepalend voor een goed rendement van de machine. Het monteren van een leidingfilter, een drukregelventiel en een smeerinstallatie zorgt voor maximaal rendement en een lange levensduur. Voor u de machine aansluit, dient u de persluchtleiding schoon te blazen om water en vuil dat zich kan ophoopt hebben te verwijderen.

SLANG EN KOPPELINGEN

De hoofdtoevoer moet een minimale binnendiameter van 3/8" (10 mm) hebben. De verbindingsslangen moeten een minimale binnendiameter van 1/2" (13 mm) hebben. Koppelingen en aansluitstukken moeten een minimale binnendiameter van 3/8" (10 mm) hebben.

SMERING

Gebruik persluchtmotorolie van het type SIOUX Nr. 288. Het is aanbevolen om een persluchtsmeersysteem te voorzien en dit af te stellen op 2 tot 4 druppels smeervloeistof per minuut. Is dit niet mogelijk, dan moet er twee keer per dag 0,04 oz (1,2 cc, 12 tot 15 druppels) olie in de luchtaanvoeropening bijgevoegd worden.

Na elke werkcyclus van 100 uur moet de tandwielkast opnieuw met SIOUX N° 289A vet gesmeerd worden.

Positieve en regelbare koppelingen moeten om de 40 uur met SIOUX N° 1232A vet gesmeerd worden

BEDIENING: ALGEMEEN

De persluchtmotor wordt gestart door de bedieningshendel of drukknop in te drukken. De motorsnelheid kan geregeld worden door middel van de sleufkopschroef die zich op de behuizing van de machine of bij sommige modellen aan de voorkant van de bedieningsknop bevindt.



Bij machines die zowel in vooruit als achteruit kunnen geschakeld worden, wordt de richting van de spildraaiing geregeld door de omkeertoets. Indien de toets ingedrukt is, draait de spil tegen de klok in. Druk de toets altijd volledig in om over het maximale motorvermogen te beschikken. Op sommige modellen kan de omkeertoets geblokkeerd worden in de "achteruit"-stand door deze toets helemaal in te drukken en naar rechts te draaien.

Informatie over koppelingbediening

Schroevendraaiers en moersleutels

- STILSTANDMECHANISME** De spil draait met de motor. De motor slaat af wanneer de werktuighouder te vast zit.
- RECHTSTREEKSEKOPPELING** De spil draait niet met de motor. Indien u druk uitoefent op de spil, worden de rechte kaken ingeschakeld om de spil te draaien. De motor slaat af wanneer de werktuighouder te vast zit.
- POSITIEVE KOPPELING-HOEKKAAK** De spil draait niet met de motor. Indien u druk uitoefent op de spil, worden de hoekkaken ingeschakeld om de spil te draaien. De koppeling ratelt wanneer een zekere spanning is bereikt. De torsiekracht op de werktuighouder wordt bepaald door de drukkracht van de bediener op de machine.
- POSITIEVE KOPPELING ROLKAKEN** Gelijkwaardig met de hoekkaak met de uitzondering dat 4 rollen de hoekvormige tanden-inschakelen. Koppeling ratelt sneller en de slag is niet zo hard.
- REGELBARE KOPPELING** De spil draait niet met de motor. Indien u druk uitoefent op spil, wordt de koppeling ingeschakeld, welke de spil doet draaien. Wanneer de werktuighouder een vooraf ingesteld koppel bereikt, begint de koppeling te ratelen. U kunt het koppel wijzigen door de druk op de veer aan te passen.

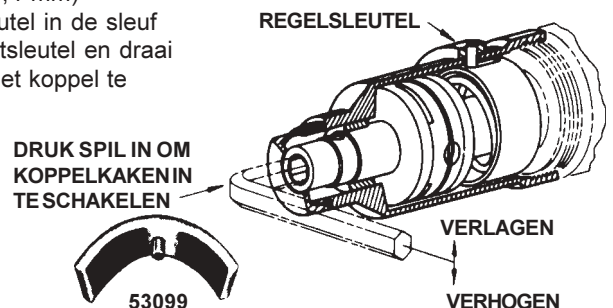
Afstelling van regelbare koppeling

BOVEN 25 PSI

Om de koppeling te regelen, dient u de regelsleutel (No. 53099) met de pin door de opening in de behuizing van de koppeling te brengen. Plaats de 1/4" (6,4 mm) zeskantsleutel in de boorhouder, duw deze in en draai tot de regelsleutel in de sleuf van de koppelmoer valt. Hou de boorhouder ingedrukt met de zeskantsleutel en draai met de klok mee om het koppel te **verhogen** en tegen de klok in om het koppel te **verlagen**.

ONDER 25 PSI, VERANDER NAAR DE GROENE VEER NO. 41284

Plaats de regelsleutel opnieuw in de stand voor een hoger koppel, maar plaats een schroevendraaier door de boorhouderopening totdat deze de uiterste sleuf raakt. Draai de schroevendraaier tot de regelsleutel op zijn juiste plaats zit en draai opnieuw de schroevendraaier met de klok mee om het koppel te **verhogen** en tegen de klok in om het te **verlagen**.



**SIOUX 2 ½ SERIES MOERSLEUTELS & SCHROEVEDRAAIERS
CONFORMITEITSVERKLARING**

Ondergetekende, Sioux Tools, Inc., 250 Snap-on Drive, P.O. Box 1596, Murphy, NC, 28906, USA,
verklaart met inachtneming van de eigen aansprakelijkheid desbetreffend, dat de producten

2L1101	2P1101	2L1102	2P1102	2L1103	2P1103	2L1104	2P1104	2L1105	2P1105	2L1106	2P1106	2L1107	2P1107
2L1201	2P1201	2L1202	2P1202	2L1203	2P1203	2L1204	2P1204	2L1205	2P1205	2L1206	2P1206	2L1207	2P1207
2L1301	2P1301	2L1302	2P1302	2L1303	2P1303	2L1304	2P1304	2L1305	2P1305	2L1306	2P1306	2L1307	2P1307
												2L1407	2P1407
2L1501	2P1501	2L1502	2P1502	2L1503	2P1503	2L1504	2P1504	2L1505	2P1505	2L1506	2P1506	2L1507	2P1507
2L1601	2P1601	2L1602	2P1602	2L1603	2P1603	2L1604	2P1604	2L1605	2P1605	2L1606	2P1606	2L1607	2P1607
2L2101	2P2101	2L2102	2P2102	2L2103	2P2103	2L2104	2P2104	2L2105	2P2105	2L2106	2P2106	2L2107	2P2107
2L2201	2P2201	2L2202	2P2202	2L2203	2P2203	2L2204	2P2204	2L2205	2P2205	2L2206	2P2206	2L2207	2P2207
2L2301	2P2301	2L2302	2P2302	2L2303	2P2303	2L2304	2P2304	2L2305	2P2305	2L2306	2P2306	2L2307	2P2307
												2L2407	2P2407
2L2501	2P2501	2L2502	2P2502	2L2503	2P2503	2L2504	2P2504	2L2505	2P2505	2L2506	2P2506	2L2507	2P2507
2L2601	2P2601	2L2602	2P2602	2L2603	2P2603	2L2604	2P2604	2L2605	2P2605	2L2606	2P2606	2L2607	2P2607
2LX1101	2PX1101	2LX1102	2PX1102	2LX1103	2PX1103	2LX1104	2PX1104	2LX1105	2PX1105	2LX1106	2PX1106	2LX1107	2PX1107
2LX1201	2PX1201	2LX1202	2PX1202	2LX1203	2PX1203	2LX1204	2PX1204	2LX1205	2PX1205	2LX1206	2PX1206	2LX1207	2PX1207
2LX1301	2PX1301	2LX1302	2PX1302	2LX1303	2PX1303	2LX1304	2PX1304	2LX1305	2PX1305	2LX1306	2PX1306	2LX1307	2PX1307
												2LX1407	2PX1407
2LX1501	2PX1501	2LX1502	2PX1502	2LX1503	2PX1503	2LX1504	2PX1504	2LX1505	2PX1505	2LX1506	2PX1506	2LX1507	2PX1507
2LX1601	2PX1601	2LX1602	2PX1602	2LX1603	2PX1603	2LX1604	2PX1604	2LX1605	2PX1605	2LX1606	2PX1606	2LX1607	2PX1607
2LX2101	2PX2101	2LX2102	2PX2102	2LX2103	2PX2103	2LX2104	2PX2104	2LX2105	2PX2105	2LX2106	2PX2106	2LX2107	2PX2107
2LX2201	2PX2201	2LX2202	2PX2202	2LX2203	2PX2203	2LX2204	2PX2204	2LX2205	2PX2205	2LX2206	2PX2206	2LX2207	2PX2207
2LX2301	2PX2301	2LX2302	2PX2302	2LX2303	2PX2303	2LX2304	2PX2304	2LX2305	2PX2305	2LX2306	2PX2306	2LX2307	2PX2307
												2LX2407	2PX2407
2LX2501	2PX2501	2LX2502	2PX2502	2LX2503	2PX2503	2LX2504	2PX2504	2LX2505	2PX2505	2LX2506	2PX2506		
2LX2601	2PX2601	2LX2602	2PX2602	2LX2603	2PX2603	2LX2604	2PX2604	2LX2605	2PX2605	2LX2606	2PX2606		

inclusief de "A, AB, AD, AM, AQ, B, D, DS, M, Q, SB" uitgangen

waarop deze verklaring van toepassing is, conform zijn met de hierna genoemde norm, normen en/of andere regels en voorschriften:

EN 792 (voorstel) EN 292 Deel 1 en 2, ISO 8662, Pneurop PN8NTC1

met inachtneming van hetgeen voorzien is in de richtlijnen

89/392/EEC en verder zoals gewijzigd door 91/368/EEC en 93/44/EEC.

1 juni 2003
Murphy, North Carolina, USA
Datum en plaats:

Gerald E. Seebeck
President
Sioux Tools Inc.
Naam en functie van de verantwoordelijke



Handtekening van de verantwoordelijke

**SIOUX 2 ½ SERIES BOREN
CONFORMITEITSVERKLARING**

Ondergetekende, Sioux Tools, Inc., 250 Snap-on Drive, P.O. Box 1596, Murphy, NC, 28906, USA,
verklaart met inachtneming van de eigen aansprakelijkheid desbetreffend, dat de producten

2L1110	2P1110	2L1120	2P1120	2L1130	2P1130	2L1140	2P1140	2L1170	2P1170	2L1180	2P1180
2L1210	2P1210			2L1230	2P1230	2L1240	2P1240	2L1270	2P1270	2L1280	2P1280
2L1310	2P1310			2L1330	2P1330	2L1340	2P1340	2L1370	2P1370	2L1380	2P1380
2L1410	2P1410			2L1430	2P1430	2L1440	2P1440	2L1470	2P1470	2L1580	2P1580
2L1510	2P1510	2L1520	2P1520	2L1530	2P1530	2L1540	2P1540	2L1570	2P1570	2L1680	2P1680
2L1610	2P1610			2L1630	2P1630	2L1640	2P1640	2L1670	2P1670		
2L1910	2P1910			2L1930	2P1930	2L1940	2P1940	2L1970	2P1970		
2L2110	2P2110	2L2120	2P2120	2L2130	2P2130						
2L2210	2P2210			2L2230	2P2230						
2L2310	2P2310			2L2330	2P2330						
2L2410	2P2410			2L2430	2P2430						
2L2510	2P2510	2L2520	2P2520	2L2530	2P2530						
2L2610	2P2610			2L2630	2P2630						
2L2910	2P2910			2L2930	2P2930						
2LX1110	2PX1110	2LX1120	2PX1120	2LX1130	2PX1130	2LX1140	2PX1140	2LX1170	2PX1170	2LX1180	2PX1180
2LX1210	2PX1210			2LX1230	2PX1230	2LX1240	2PX1240	2LX1270	2PX1270	2LX1280	2PX1280
2LX1310	2PX1310			2LX1330	2PX1330	2LX1340	2PX1340	2LX1370	2PX1370	2LX1380	2PX1380
2LX1410	2PX1410			2LX1430	2PX1430	2LX1440	2PX1440	2LX1470	2PX1470	2LX1580	2PX1580
2LX1510	2PX1510	2LX1520	2PX1520	2LX1530	2PX1530	2LX1540	2PX1540	2LX1570	2PX1570	2LX1680	2PX1680
2LX1610	2PX1610			2LX1630	2PX1630	2LX1640	2PX1640	2LX1670	2PX1670		
2LX1910	2PX1910			2LX1930	2PX1930	2LX1940	2PX1940	2LX1970	2PX1970		
2LX2110	2PX2110	2LX2120	2PX2120	2LX2130	2PX2130						
2LX2210	2PX2210			2LX2230	2PX2230						
2LX2310	2PX2310			2LX2330	2PX2330						
2LX2410	2PX2410			2LX2430	2PX2430						
2LX2510	2PX2510	2LX2520	2PX2520	2LX2530	2PX2530						
2LX2610	2PX2610			2LX2630	2PX2630						
2LX2910	2PX2910			2LX2930	2PX2930						

waarop deze verklaring van toepassing is, conform zijn met de hierna genoemde norm, normen en/of andere regels en voorschriften:

EN 792 (voorstel) EN 292 Deel 1 en 2, ISO 8662, Pneurop PN8NTC1

met inachtneming van hetgeen voorzien is in de richtlijnen

89/392/EEC en verder zoals gewijzigd door 91/368/EEC en 93/44/EEC.

1 juni 2003
Murphy, North Carolina, USA
Datum en plaats:

Gerald E. Seebeck
President
Sioux Tools Inc.
Naam en functie van de verantwoordelijke



Handtekening van de verantwoordelijke

GELUIDS- EN TRILLINGSNIVEAUS

SIOUX 2 ½ "L" SERIES MOERSLEUTELS & SCHROEVEDRAAIERS									
Catalogus nummer							*Geluidsdruk dBA	*Geluids- vermogen dBA	**Trilling m/s ²
2L1101	2L1102	2L1103	2L1104	2L1105	2L1106	2L1107	82,1	94,8	Less than 2,5
2L1201	2L1202	2L1203	2L1204	2L1205	2L1206	2L1207	82,1	94,8	Less than 2,5
2L1301	2L1302	2L1303	2L1304	2L1305	2L1306	2L1307	82,1	94,8	Less than 2,5
						2L1407	82,1	94,8	Less than 2,5
2L1501	2L1502	2L1503	2L1504	2L1505	2L1506	2L1507	82,1	94,8	Less than 2,5
2L1601	2L1602	2L1603	2L1604	2L1605	2L1606	2L1607	82,1	94,8	Less than 2,5
2L2101	2L2102	2L2103	2L2104	2L2105	2L2106	2L2107	82,1	94,8	Less than 2,5
2L2201	2L2202	2L2203	2L2204	2L2205	2L2206	2L2207	82,1	94,8	Less than 2,5
2L2301	2L2302	2L2303	2L2304	2L2305	2L2306	2L2307	82,1	94,8	Less than 2,5
						2L2407	82,1	94,8	Less than 2,5
2L2501	2L2502	2L2503	2L2504	2L2505	2L2506	2L2507	82,1	94,8	Less than 2,5
2L2601	2L2602	2L2603	2L2604	2L2605	2L2606	2L2607	82,1	94,8	Less than 2,5
2LX1101	2LX1102	2LX1103	2LX1104	2LX1105	2LX1106	2LX1107	82,1	94,8	Less than 2,5
2LX1201	2LX1202	2LX1203	2LX1204	2LX1205	2LX1206	2LX1207	82,1	94,8	Less than 2,5
2LX1301	2LX1302	2LX1303	2LX1304	2LX1305	2LX1306	2LX1307	82,1	94,8	Less than 2,5
						2LX1407	82,1	94,8	Less than 2,5
2LX1501	2LX1502	2LX1503	2LX1504	2LX1505	2LX1506	2LX1507	82,1	94,8	Less than 2,5
2LX1601	2LX1602	2LX1603	2LX1604	2LX1605	2LX1606	2LX1607	82,1	94,8	Less than 2,5
2LX2101	2LX2102	2LX2103	2LX2104	2LX2105	2LX2106	2LX2107	82,1	94,8	Less than 2,5
2LX2201	2LX2202	2LX2203	2LX2204	2LX2205	2LX2206	2LX2207	82,1	94,8	Less than 2,5
2LX2301	2LX2302	2LX2303	2LX2304	2LX2305	2LX2306	2LX2307	82,1	94,8	Less than 2,5
						2LX2407	82,1	94,8	Less than 2,5
2LX2501	2LX2502	2LX2503	2LX2504	2LX2505	2LX2506		82,1	94,8	Less than 2,5
2LX2601	2LX2602	2LX2603	2LX2604	2LX2605	2LX2606		82,1	94,8	Less than 2,5

GELUIDS- EN TRILLINGSNIVEAUS

SIOUX 2 ½ "P" SERIES MOERSLEUTELS & SCHROEVEDRAAIERS									
Catalogus nummer:							*Geluidsdruk dBA	*Geluids- vermogen dBA	**Trilling m/s ²
2P1101	2P1102	2P1103	2P1104	2P1105	2P1106	2P1107	81,8	94,5	Less than 2,5
2P1201	2P1202	2P1203	2P1204	2P1205	2P1206	2P1207	81,8	94,5	Less than 2,5
2P1301	2P1302	2P1303	2P1304	2P1305	2P1306	2P1307	81,8	94,5	Less than 2,5
						2P1407	81,8	94,5	Less than 2,5
2P1501	2P1502	2P1503	2P1504	2P1505	2P1506	2P1507	81,8	94,5	Less than 2,5
2P1601	2P1602	2P1603	2P1604	2P1605	2P1606	2P1607	81,8	94,5	Less than 2,5
2P2101	2P2102	2P2103	2P2104	2P2105	2P2106	2P2107	81,8	94,5	Less than 2,5
2P2201	2P2202	2P2203	2P2204	2P2205	2P2206	2P2207	81,8	94,5	Less than 2,5
2P2301	2P2302	2P2303	2P2304	2P2305	2P2306	2P2307	81,8	94,5	Less than 2,5
						2P2407	81,8	94,5	Less than 2,5
2P2501	2P2502	2P2503	2P2504	2P2505	2P2506	2P2507	81,8	94,5	Less than 2,5
2P2601	2P2602	2P2603	2P2604	2P2605	2P2606	2P2607	81,8	94,5	Less than 2,5
2PX1101	2PX1102	2PX1103	2PX1104	2PX1105	2PX1106	2PX1107	81,8	94,5	Less than 2,5
2PX1201	2PX1202	2PX1203	2PX1204	2PX1205	2PX1206	2PX1207	81,8	94,5	Less than 2,5
2PX1301	2PX1302	2PX1303	2PX1304	2PX1305	2PX1306	2PX1307	81,8	94,5	Less than 2,5
						2PX1407	81,8	94,5	Less than 2,5
2PX1501	2PX1502	2PX1503	2PX1504	2PX1505	2PX1506	2PX1507	81,8	94,5	Less than 2,5
2PX1601	2PX1602	2PX1603	2PX1604	2PX1605	2PX1606	2PX1607	81,8	94,5	Less than 2,5
2PX2101	2PX2102	2PX2103	2PX2104	2PX2105	2PX2106	2PX2107	81,8	94,5	Less than 2,5
2PX2201	2PX2202	2PX2203	2PX2204	2PX2205	2PX2206	2PX2207	81,8	94,5	Less than 2,5
2PX2301	2PX2302	2PX2303	2PX2304	2PX2305	2PX2306	2PX2307	81,8	94,5	Less than 2,5
						2PX2407	81,8	94,5	Less than 2,5
2PX2501	2PX2502	2PX2503	2PX2504	2PX2505	2PX2506		81,8	94,5	Less than 2,5
2PX2601	2PX2602	2PX2603	2PX2604	2PX2605	2PX2606		81,8	94,5	Less than 2,5

*conform PN8NTC1 **conform ISO 8662

GELUIDS- EN TRILLINGSNIVEAUS

SIOUX 2 ½ "L" SERIES BOREN						*Geluidsdruk dBA	*Geluids- vermogen dBA	**Trilling m/s ²
Catalogus nummer:								
2L1110	2L1120	2L1130	2L1140	2L1170	2L1180	82,1	94,8	Less than 2,5
2L1210		2L1230	2L1240	2L1270	2L1280	82,1	94,8	Less than 2,5
2L1310		2L1330	2L1340	2L1370	2L1380	82,1	94,8	Less than 2,5
2L1410		2L1430	2L1440	2L1470		82,1	94,8	Less than 2,5
2L1510	2L1520	2L1530	2L1540	2L1570	2L1580	82,1	94,8	Less than 2,5
2L1610		2L1630	2L1640	2L1670	2L1680	82,1	94,8	Less than 2,5
2L1910		2L1930	2L1940	2L1970		82,1	94,8	Less than 2,5
2L2110	2L2120	2L2130				82,1	94,8	Less than 2,5
2L2210		2L2230				82,1	94,8	Less than 2,5
2L2310		2L2330				82,1	94,8	Less than 2,5
2L2410		2L2430				82,1	94,8	Less than 2,5
2L2510	2L2520	2L2530				82,1	94,8	Less than 2,5
2L2610		2L2630				82,1	94,8	Less than 2,5
2L2910		2L2930				82,1	94,8	Less than 2,5
2LX1110	2LX1120	2LX1130	2LX1140	2LX1170	2LX1180	82,1	94,8	Less than 2,5
2LX1210		2LX1230	2LX1240	2LX1270	2LX1280	82,1	94,8	Less than 2,5
2LX1310		2LX1330	2LX1340	2LX1370	2LX1380	82,1	94,8	Less than 2,5
2LX1410		2LX1430	2LX1440	2LX1470		82,1	94,8	Less than 2,5
2LX1510	2LX1520	2LX1530	2LX1540	2LX1570	2LX1580	82,1	94,8	Less than 2,5
2LX1610		2LX1630	2LX1640	2LX1670	2LX1680	82,1	94,8	Less than 2,5
2LX1910		2LX1930	2LX1940	2LX1970		82,1	94,8	Less than 2,5
2LX2110	2LX2120	2LX2130				82,1	94,8	Less than 2,5
2LX2210		2LX2230				82,1	94,8	Less than 2,5
2LX2310		2LX2330				82,1	94,8	Less than 2,5
2LX2410		2LX2430				82,1	94,8	Less than 2,5
2LX2510	2LX2520	2LX2530				82,1	94,8	Less than 2,5
2LX2610		2LX2630				82,1	94,8	Less than 2,5
2LX2910		2LX2930				82,1	94,8	Less than 2,5

GELUIDS- EN TRILLINGSNIVEAUS

SIOUX 2 ½ "L" SERIES BOREN						*Geluidsdruk dBA	*Geluids- vermogen dBA	**Trilling m/s ²
Catalogus nummer:								
2P1110	2P1120	2P1130	2P1140	2P1170	2P1180	81,8	94,5	Less than 2,5
2P1210		2P1230	2P1240	2P1270	2P1280	81,8	94,5	Less than 2,5
2P1310		2P1330	2P1340	2P1370	2P1380	81,8	94,5	Less than 2,5
2P1410		2P1430	2P1440	2P1470		81,8	94,5	Less than 2,5
2P1510	2P1520	2P1530	2P1540	2P1570	2P1580	81,8	94,5	Less than 2,5
2P1610		2P1630	2P1640	2P1670	2P1680	81,8	94,5	Less than 2,5
2P1910		2P1930	2P1940	2P1970		81,8	94,5	Less than 2,5
2P2110	2P2120	2P2130				81,8	94,5	Less than 2,5
2P2210		2P2230				81,8	94,5	Less than 2,5
2P2310		2P2330				81,8	94,5	Less than 2,5
2P2410		2P2430				81,8	94,5	Less than 2,5
2P2510	2P2520	2P2530				81,8	94,5	Less than 2,5
2P2610		2P2630				81,8	94,5	Less than 2,5
2P2910		2P2930				81,8	94,5	Less than 2,5
2PX1110	2PX1120	2PX1130	2PX1140	2PX1170	2XP1180	81,8	94,5	Less than 2,5
2PX1210		2PX1230	2PX1240	2PX1270	2XP1280	81,8	94,5	Less than 2,5
2PX1310		2PX1330	2PX1340	2PX1370	2XP1380	81,8	94,5	Less than 2,5
2PX1410		2PX1430	2PX1440	2PX1470		81,8	94,5	Less than 2,5
2PX1510	2PX1520	2PX1530	2PX1540	2PX1570	2XP1580	81,8	94,5	Less than 2,5
2PX1610		2PX1630	2PX1640	2PX1670	2XP1680	81,8	94,5	Less than 2,5
2PX1910		2PX1930	2PX1940	2PX1970		81,8	94,5	Less than 2,5
2PX2110	2PX2120	2PX2130				81,8	94,5	Less than 2,5
2PX2210		2PX2230				81,8	94,5	Less than 2,5
2PX2310		2PX2330				81,8	94,5	Less than 2,5
2PX2410		2PX2430				81,8	94,5	Less than 2,5
2PX2510	2PX2520	2PX2530				81,8	94,5	Less than 2,5
2PX2610		2PX2630				81,8	94,5	Less than 2,5
2PX2910		2PX2930				81,8	94,5	Less than 2,5

*conform PN8NTC1 **conform ISO 8662



ANVISNINGAR FÖR 2 1/2-SERIEN MUTTERÅTDRAGARE, SKRUVMEJSLAR OCH BORRAR

Läs och sätt dig in i ”Säkerhetsföreskrifter för tryckluftsverktyg” samt dessa anvisningar innan du använder detta verktyg.

LUFTTILLFÖRSEL

Hur effektivt verktyget fungerar beror på korrekt tillförsel av ren torr luft vid 6,2 bar (90 psig). Använd ett ledningsfilter, en tryckregulator och en smörjapparat för att få maximal effekt och livslängd på verktygen. Blås luftledningen för att avlägsna vatten och smuts, som eventuellt kan ha samlats, innan verktyget ansluts.

SLANG OCH SLANGANSLUTNINGAR

Tillförselslangen bör ha en innerdiameter (ID) på minst 10 mm. Förlängnings slangar bör ha en ID på minst 13 mm. Använd kopplingar och fattningar med en ID på minst 10 mm.

SMÖRJNING

Använd SIOUX luftmotorolja nr 288. En luftslangssmörjapparat, inställd på 2–4 droppar per minut, tillrådes. Om smörjapparat inte används skall 1,2 ml olja, 12–15 droppar, tillsättas luftintaget dagligen.

Smörj dreven med SIOUX smörjmedel nr 289A var 100:e timme.

Smörj positiv och justerbara kopplingar med SIOUX smörjmedel nr 1232A var 40:e timme.

ANVÄNDING

Luftmotorn startas när du trycker in manöverspaken eller utlösaren. Hastigheten kan kontrolleras genom att man justerar kontrollen med det spårforsetta huvudet som finns på verktygets hölje eller på vissa modeller på utlösarytan.



På verktyg med riktningssomkastning kontrolleras spindelns rotationsriktning av omkastningsknappen. När knappen är nedtryckt roterar spindeln moturs. Tryck alltid ned knappen helt för att få full kraft. Du kan låsa knappen för omkastad riktning på vissa modeller genom att trycka ned knappen helt och vrida den medurs.

Information om hur kopplingen fungerar

Skruvmejslar och mutteråtdragare

- ÖVERSTTEGRINGSDRIFT** Spindeln rör sig med motorn. Motorn stegrar sig när åtdragaren är åtdragen.
- DIREKTKOPPLING** Spindeln rör sig inte med motorn. Tryck mot spindeln kuggar in räta backar för att vrida runt spindeln. Motorn stegrar när åtdragaren är åtdragen.
- POSITIV KOPPLING VINKELBACK** Spindeln rör sig inte med motorn. Tryck mot spindeln kuggar in i vinkelbackar för att vrida spindeln. Kopplingen engagerar när en viss åtdragningsgrad har uppnåtts. Vridmomentet på åtdragaren bestäms av hur hårt operatören skjuter på verktyget.
- POSITIV KOPPLING** Liknar vinkelback med undantag för att fyra (4) rullar kuggar in i vinklade kuggar. Engagerar snabbare och slaget inte så hårt.
- GÄNGRULLBACK JUSTERBAR KOPPLING** ... Spindeln rör sig inte med motorn. Tryck mot spindeln engagerar kopplingen vilket får spindeln att röra sig. När åtdragaren når ett förinställt vridmoment kommer kopplingen att engageras. Om man justerar fjädertrycket kommer vridmomentet att ändras.

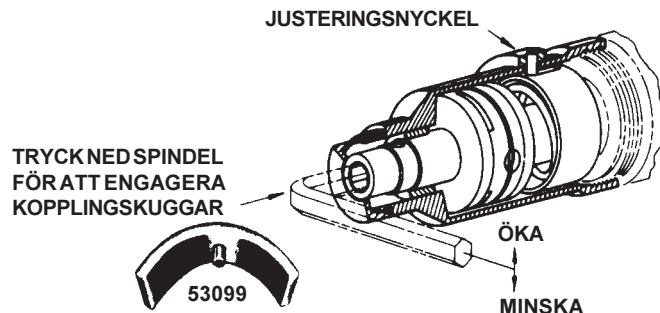
Justeringar av justerbar koppling

ÖVER 2,92 NM (25 IN-LBS)

För att justera kopplingen placeras justeringsnyckel (nr. 53099) med stiftet genom öppningen i kopplingens hölje. Placera sexkantsnyckeln (6,4 mm) i borrhållaren, tryck in och vrid tills justeringsnyckeln glider in i springan på kopplingens mutter. Håll borrhållaren nedtryckt med sexkantsnyckeln och vrid medurs för att **öka** och moturs **minska** vridmomentet.

BYTTILL GRÖNFJÄDER NR. 41284 FÖR VRIDMOMENTSTRYCK UNDER 2,92 NM (25 IN-LBS)

Placera återigen justeringsnyckeln som för ett högre vridmoment men skjut in ett blad till en skruvmejsel genom öppningen till borrhållaren tills den får kontakt med skåran längst in. Roter skruvmejseln tills justeringsnyckeln glider på plats. Roter skruvmejseln medurs igen för att **öka** och moturs för att **minska** vridmomentet.



**2 1/2-SERIEN MUTTERÅDRAGARE OCH SKRUVMEJSLAR
FÖRSÄKRANOM ÖVERENSSTÄMMELSE**

Vi, Sioux Tools, Inc., 250 Snap-on Drive, P.O. Box 1596, Murphy, NC, 28906, USA, \\
förklarar under eget ansvar att produkterna

2L1101	2P1101	2L1102	2P1102	2L1103	2P1103	2L1104	2P1104	2L1105	2P1105	2L1106	2P1106	2L1107	2P1107
2L1201	2P1201	2L1202	2P1202	2L1203	2P1203	2L1204	2P1204	2L1205	2P1205	2L1206	2P1206	2L1207	2P1207
2L1301	2P1301	2L1302	2P1302	2L1303	2P1303	2L1304	2P1304	2L1305	2P1305	2L1306	2P1306	2L1307	2P1307
												2L1407	2P1407
2L1501	2P1501	2L1502	2P1502	2L1503	2P1503	2L1504	2P1504	2L1505	2P1505	2L1506	2P1506	2L1507	2P1507
2L1601	2P1601	2L1602	2P1602	2L1603	2P1603	2L1604	2P1604	2L1605	2P1605	2L1606	2P1606	2L1607	2P1607
2L2101	2P2101	2L2102	2P2102	2L2103	2P2103	2L2104	2P2104	2L2105	2P2105	2L2106	2P2106	2L2107	2P2107
2L2201	2P2201	2L2202	2P2202	2L2203	2P2203	2L2204	2P2204	2L2205	2P2205	2L2206	2P2206	2L2207	2P2207
2L2301	2P2301	2L2302	2P2302	2L2303	2P2303	2L2304	2P2304	2L2305	2P2305	2L2306	2P2306	2L2307	2P2307
												2L2407	2P2407
2L2501	2P2501	2L2502	2P2502	2L2503	2P2503	2L2504	2P2504	2L2505	2P2505	2L2506	2P2506	2L2507	2P2507
2L2601	2P2601	2L2602	2P2602	2L2603	2P2603	2L2604	2P2604	2L2605	2P2605	2L2606	2P2606	2L2607	2P2607
2LX1101	2PX1101	2LX1102	2PX1102	2LX1103	2PX1103	2LX1104	2PX1104	2LX1105	2PX1105	2LX1106	2PX1106	2LX1107	2PX1107
2LX1201	2PX1201	2LX1202	2PX1202	2LX1203	2PX1203	2LX1204	2PX1204	2LX1205	2PX1205	2LX1206	2PX1206	2LX1207	2PX1207
2LX1301	2PX1301	2LX1302	2PX1302	2LX1303	2PX1303	2LX1304	2PX1304	2LX1305	2PX1305	2LX1306	2PX1306	2LX1307	2PX1307
												2LX1407	2PX1407
2LX1501	2PX1501	2LX1502	2PX1502	2LX1503	2PX1503	2LX1504	2PX1504	2LX1505	2PX1505	2LX1506	2PX1506	2LX1507	2PX1507
2LX1601	2PX1601	2LX1602	2PX1602	2LX1603	2PX1603	2LX1604	2PX1604	2LX1605	2PX1605	2LX1606	2PX1606	2LX1607	2PX1607
2LX2101	2PX2101	2LX2102	2PX2102	2LX2103	2PX2103	2LX2104	2PX2104	2LX2105	2PX2105	2LX2106	2PX2106	2LX2107	2PX2107
2LX2201	2PX2201	2LX2202	2PX2202	2LX2203	2PX2203	2LX2204	2PX2204	2LX2205	2PX2205	2LX2206	2PX2206	2LX2207	2PX2207
2LX2301	2PX2301	2LX2302	2PX2302	2LX2303	2PX2303	2LX2304	2PX2304	2LX2305	2PX2305	2LX2306	2PX2306	2LX2307	2PX2307
												2LX2407	2PX2407
2LX2501	2PX2501	2LX2502	2PX2502	2LX2503	2PX2503	2LX2504	2PX2504	2LX2505	2PX2505	2LX2506	2PX2506		
2LX2601	2PX2601	2LX2602	2PX2602	2LX2603	2PX2603	2LX2604	2PX2604	2LX2605	2PX2605	2LX2606	2PX2606		

innefattande suffixerna "A, AB, AD, AM, AQ, B, D, DS, M, Q, SB" suffixes

som denna försäkran gäller uppfyller följande standard eller standarder eller andra normgivande dokument:

EN 792 (utkast), EN 292 del 1 och 2, ISO 8662, Pneurop PN8NTC1

i enlighet med villkoren i

89/392/EEC med ändringar per direktiv 91/368/EEC och 93/44/EC

1 juni 2003

Murphy, North Carolina, USA
Utfärdningsort och datum

Gerald E. Seebeck

President
Sioux Tools Inc.
Utfärdarens namn och titel


Utfärdarens underskrift

**2 1/2-SERIEN BORRAR
FÖRSÄKRANOM ÖVERENSSTÄMMELSE**

Vi, Sioux Tools, Inc., 250 Snap-on Drive, P.O. Box 1596, Murphy, NC, 28906, USA, \\
förklarar under eget ansvar att produkterna

2L1110	2P1110	2L1120	2P1120	2L1130	2P1130	2L1140	2P1140	2L1170	2P1170	2L1180	2P1180
2L1210	2P1210			2L1230	2P1230	2L1240	2P1240	2L1270	2P1270	2L1280	2P1280
2L1310	2P1310			2L1330	2P1330	2L1340	2P1340	2L1370	2P1370	2L1380	2P1380
2L1410	2P1410			2L1430	2P1430	2L1440	2P1440	2L1470	2P1470	2L1580	2P1580
2L1510	2P1510	2L1520	2P1520	2L1530	2P1530	2L1540	2P1540	2L1570	2P1570	2L1680	2P1680
2L1610	2P1610			2L1630	2P1630	2L1640	2P1640	2L1670	2P1670		
2L1910	2P1910			2L1930	2P1930	2L1940	2P1940	2L1970	2P1970		
2L2110	2P2110	2L2120	2P2120	2L2130	2P2130						
2L2210	2P2210			2L2230	2P2230						
2L2310	2P2310			2L2330	2P2330						
2L2410	2P2410			2L2430	2P2430						
2L2510	2P2510	2L2520	2P2520	2L2530	2P2530						
2L2610	2P2610			2L2630	2P2630						
2L2910	2P2910			2L2930	2P2930						
2LX1110	2PX1110	2LX1120	2PX1120	2LX1130	2PX1130	2LX1140	2PX1140	2LX1170	2PX1170	2LX1180	2PX1180
2LX1210	2PX1210			2LX1230	2PX1230	2LX1240	2PX1240	2LX1270	2PX1270	2LX1280	2PX1280
2LX1310	2PX1310			2LX1330	2PX1330	2LX1340	2PX1340	2LX1370	2PX1370	2LX1380	2PX1380
2LX1410	2PX1410			2LX1430	2PX1430	2LX1440	2PX1440	2LX1470	2PX1470	2LX1580	2PX1580
2LX1510	2PX1510	2LX1520	2PX1520	2LX1530	2PX1530	2LX1540	2PX1540	2LX1570	2PX1570	2LX1680	2PX1680
2LX1610	2PX1610			2LX1630	2PX1630	2LX1640	2PX1640	2LX1670	2PX1670		
2LX1910	2PX1910			2LX1930	2PX1930	2LX1940	2PX1940	2LX1970	2PX1970		
2LX2110	2PX2110	2LX2120	2PX2120	2LX2130	2PX2130						
2LX2210	2PX2210			2LX2230	2PX2230						
2LX2310	2PX2310			2LX2330	2PX2330						
2LX2410	2PX2410			2LX2430	2PX2430						
2LX2510	2PX2510	2LX2520	2PX2520	2LX2530	2PX2530						
2LX2610	2PX2610			2LX2630	2PX2630						
2LX2910	2PX2910			2LX2930	2PX2930						

som denna försäkran gäller uppfyller följande standard eller standarder eller andra normgivande dokument:

EN 792 (utkast), EN 292 del 1 och 2, ISO 8662, Pneurop PN8NTC1

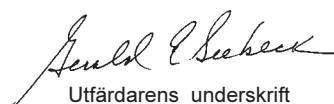
i enlighet med villkoren i

89/392/EEC med ändringar per direktiv 91/368/EEC och 93/44/EC

1 juni 2003

Murphy, North Carolina, USA
Utfärdningsort och datum

Gerald E. Seebeck
President
Sioux Tools Inc.
Utfärdarens namn och titel


Utfärdarens underskrift

LJUD- OCH VIBRATIONSAVLÄSNINGAR

2 1/2-"L" SERIEN MUTTERÅTDRAGARE OCH SKRUVMEJSLAR									
Katalog nr.							*Ljudtryck dBA	*Ljudeffekt dBA	**Vibration m/s ²
2L1101	2L1102	2L1103	2L1104	2L1105	2L1106	2L1107	82,1	94,8	Less than 2,5
2L1201	2L1202	2L1203	2L1204	2L1205	2L1206	2L1207	82,1	94,8	Less than 2,5
2L1301	2L1302	2L1303	2L1304	2L1305	2L1306	2L1307	82,1	94,8	Less than 2,5
						2L1407	82,1	94,8	Less than 2,5
2L1501	2L1502	2L1503	2L1504	2L1505	2L1506	2L1507	82,1	94,8	Less than 2,5
2L1601	2L1602	2L1603	2L1604	2L1605	2L1606	2L1607	82,1	94,8	Less than 2,5
2L2101	2L2102	2L2103	2L2104	2L2105	2L2106	2L2107	82,1	94,8	Less than 2,5
2L2201	2L2202	2L2203	2L2204	2L2205	2L2206	2L2207	82,1	94,8	Less than 2,5
2L2301	2L2302	2L2303	2L2304	2L2305	2L2306	2L2307	82,1	94,8	Less than 2,5
						2L2407	82,1	94,8	Less than 2,5
2L2501	2L2502	2L2503	2L2504	2L2505	2L2506	2L2507	82,1	94,8	Less than 2,5
2L2601	2L2602	2L2603	2L2604	2L2605	2L2606	2L2607	82,1	94,8	Less than 2,5
2LX1101	2LX1102	2LX1103	2LX1104	2LX1105	2LX1106	2LX1107	82,1	94,8	Less than 2,5
2LX1201	2LX1202	2LX1203	2LX1204	2LX1205	2LX1206	2LX1207	82,1	94,8	Less than 2,5
2LX1301	2LX1302	2LX1303	2LX1304	2LX1305	2LX1306	2LX1307	82,1	94,8	Less than 2,5
						2LX1407	82,1	94,8	Less than 2,5
2LX1501	2LX1502	2LX1503	2LX1504	2LX1505	2LX1506	2LX1507	82,1	94,8	Less than 2,5
2LX1601	2LX1602	2LX1603	2LX1604	2LX1605	2LX1606	2LX1607	82,1	94,8	Less than 2,5
2LX2101	2LX2102	2LX2103	2LX2104	2LX2105	2LX2106	2LX2107	82,1	94,8	Less than 2,5
2LX2201	2LX2202	2LX2203	2LX2204	2LX2205	2LX2206	2LX2207	82,1	94,8	Less than 2,5
2LX2301	2LX2302	2LX2303	2LX2304	2LX2305	2LX2306	2LX2307	82,1	94,8	Less than 2,5
						2LX2407	82,1	94,8	Less than 2,5
2LX2501	2LX2502	2LX2503	2LX2504	2LX2505	2LX2506		82,1	94,8	Less than 2,5
2LX2601	2LX2602	2LX2603	2LX2604	2LX2605	2LX2606		82,1	94,8	Less than 2,5

LJUD- OCH VIBRATIONSAVLÄSNINGAR

2 1/2-"P" SERIEN MUTTERÅTDRAGARE OCH SKRUVMEJSLAR									
Katalog nr.							*Ljudtryck dBA	*Ljudeffekt dBA	**Vibration m/s ²
2P1101	2P1102	2P1103	2P1104	2P1105	2P1106	2P1107	81,8	94,5	Less than 2,5
2P1201	2P1202	2P1203	2P1204	2P1205	2P1206	2P1207	81,8	94,5	Less than 2,5
2P1301	2P1302	2P1303	2P1304	2P1305	2P1306	2P1307	81,8	94,5	Less than 2,5
						2P1407	81,8	94,5	Less than 2,5
2P1501	2P1502	2P1503	2P1504	2P1505	2P1506	2P1507	81,8	94,5	Less than 2,5
2P1601	2P1602	2P1603	2P1604	2P1605	2P1606	2P1607	81,8	94,5	Less than 2,5
2P2101	2P2102	2P2103	2P2104	2P2105	2P2106	2P2107	81,8	94,5	Less than 2,5
2P2201	2P2202	2P2203	2P2204	2P2205	2P2206	2P2207	81,8	94,5	Less than 2,5
2P2301	2P2302	2P2303	2P2304	2P2305	2P2306	2P2307	81,8	94,5	Less than 2,5
						2P2407	81,8	94,5	Less than 2,5
2P2501	2P2502	2P2503	2P2504	2P2505	2P2506	2P2507	81,8	94,5	Less than 2,5
2P2601	2P2602	2P2603	2P2604	2P2605	2P2606	2P2607	81,8	94,5	Less than 2,5
2PX1101	2PX1102	2PX1103	2PX1104	2PX1105	2PX1106	2PX1107	81,8	94,5	Less than 2,5
2PX1201	2PX1202	2PX1203	2PX1204	2PX1205	2PX1206	2PX1207	81,8	94,5	Less than 2,5
2PX1301	2PX1302	2PX1303	2PX1304	2PX1305	2PX1306	2PX1307	81,8	94,5	Less than 2,5
						2PX1407	81,8	94,5	Less than 2,5
2PX1501	2PX1502	2PX1503	2PX1504	2PX1505	2PX1506	2PX1507	81,8	94,5	Less than 2,5
2PX1601	2PX1602	2PX1603	2PX1604	2PX1605	2PX1606	2PX1607	81,8	94,5	Less than 2,5
2PX2101	2PX2102	2PX2103	2PX2104	2PX2105	2PX2106	2PX2107	81,8	94,5	Less than 2,5
2PX2201	2PX2202	2PX2203	2PX2204	2PX2205	2PX2206	2PX2207	81,8	94,5	Less than 2,5
2PX2301	2PX2302	2PX2303	2PX2304	2PX2305	2PX2306	2PX2307	81,8	94,5	Less than 2,5
						2PX2407	81,8	94,5	Less than 2,5
2PX2501	2PX2502	2PX2503	2PX2504	2PX2505	2PX2506		81,8	94,5	Less than 2,5
2PX2601	2PX2602	2PX2603	2PX2604	2PX2605	2PX2606		81,8	94,5	Less than 2,5

*enligt PN8NTC1

**enligt ISO 8662

LJUD- OCH VIBRATIONSAVLÄSNINGAR

2 1/2-"L" SERIEN BORRAR						*Ljudtryck dBA	*Ljudeffekt dBA	**Vibration m/s ²
Katalog nr.								
2L1110	2L1120	2L1130	2L1140	2L1170	2L1180	82,1	94,8	Less than 2,5
2L1210		2L1230	2L1240	2L1270	2L1280	82,1	94,8	Less than 2,5
2L1310		2L1330	2L1340	2L1370	2L1380	82,1	94,8	Less than 2,5
2L1410		2L1430	2L1440	2L1470		82,1	94,8	Less than 2,5
2L1510	2L1520	2L1530	2L1540	2L1570	2L1580	82,1	94,8	Less than 2,5
2L1610		2L1630	2L1640	2L1670	2L1680	82,1	94,8	Less than 2,5
2L1910		2L1930	2L1940	2L1970		82,1	94,8	Less than 2,5
2L2110	2L2120	2L2130				82,1	94,8	Less than 2,5
2L2210		2L2230				82,1	94,8	Less than 2,5
2L2310		2L2330				82,1	94,8	Less than 2,5
2L2410		2L2430				82,1	94,8	Less than 2,5
2L2510	2L2520	2L2530				82,1	94,8	Less than 2,5
2L2610		2L2630				82,1	94,8	Less than 2,5
2L2910		2L2930				82,1	94,8	Less than 2,5
2LX1110	2LX1120	2LX1130	2LX1140	2LX1170	2LX1180	82,1	94,8	Less than 2,5
2LX1210		2LX1230	2LX1240	2LX1270	2LX1280	82,1	94,8	Less than 2,5
2LX1310		2LX1330	2LX1340	2LX1370	2LX1380	82,1	94,8	Less than 2,5
2LX1410		2LX1430	2LX1440	2LX1470		82,1	94,8	Less than 2,5
2LX1510	2LX1520	2LX1530	2LX1540	2LX1570	2LX1580	82,1	94,8	Less than 2,5
2LX1610		2LX1630	2LX1640	2LX1670	2LX1680	82,1	94,8	Less than 2,5
2LX1910		2LX1930	2LX1940	2LX1970		82,1	94,8	Less than 2,5
2LX2110	2LX2120	2LX2130				82,1	94,8	Less than 2,5
2LX2210		2LX2230				82,1	94,8	Less than 2,5
2LX2310		2LX2330				82,1	94,8	Less than 2,5
2LX2410		2LX2430				82,1	94,8	Less than 2,5
2LX2510	2LX2520	2LX2530				82,1	94,8	Less than 2,5
2LX2610		2LX2630				82,1	94,8	Less than 2,5
2LX2910		2LX2930				82,1	94,8	Less than 2,5

LJUD- OCH VIBRATIONSAVLÄSNINGAR

2 1/2-"P" SERIEN BORRAR						*Ljudtryck dBA	*Ljudeffekt dBA	**Vibration m/s ²
Katalog nr.								
2P1110	2P1120	2P1130	2P1140	2P1170	2P1180	81,8	94,5	Less than 2,5
2P1210		2P1230	2P1240	2P1270	2P1280	81,8	94,5	Less than 2,5
2P1310		2P1330	2P1340	2P1370	2P1380	81,8	94,5	Less than 2,5
2P1410		2P1430	2P1440	2P1470		81,8	94,5	Less than 2,5
2P1510	2P1520	2P1530	2P1540	2P1570	2P1580	81,8	94,5	Less than 2,5
2P1610		2P1630	2P1640	2P1670	2P1680	81,8	94,5	Less than 2,5
2P1910		2P1930	2P1940	2P1970		81,8	94,5	Less than 2,5
2P2110	2P2120	2P2130				81,8	94,5	Less than 2,5
2P2210		2P2230				81,8	94,5	Less than 2,5
2P2310		2P2330				81,8	94,5	Less than 2,5
2P2410		2P2430				81,8	94,5	Less than 2,5
2P2510	2P2520	2P2530				81,8	94,5	Less than 2,5
2P2610		2P2630				81,8	94,5	Less than 2,5
2P2910		2P2930				81,8	94,5	Less than 2,5
2PX1110	2PX1120	2PX1130	2PX1140	2PX1170	2XP1180	81,8	94,5	Less than 2,5
2PX1210		2PX1230	2PX1240	2PX1270	2XP1280	81,8	94,5	Less than 2,5
2PX1310		2PX1330	2PX1340	2PX1370	2XP1380	81,8	94,5	Less than 2,5
2PX1410		2PX1430	2PX1440	2PX1470		81,8	94,5	Less than 2,5
2PX1510	2PX1520	2PX1530	2PX1540	2PX1570	2XP1580	81,8	94,5	Less than 2,5
2PX1610		2PX1630	2PX1640	2PX1670	2XP1680	81,8	94,5	Less than 2,5
2PX1910		2PX1930	2PX1940	2PX1970		81,8	94,5	Less than 2,5
2PX2110	2PX2120	2PX2130				81,8	94,5	Less than 2,5
2PX2210		2PX2230				81,8	94,5	Less than 2,5
2PX2310		2PX2330				81,8	94,5	Less than 2,5
2PX2410		2PX2430				81,8	94,5	Less than 2,5
2PX2510	2PX2520	2PX2530				81,8	94,5	Less than 2,5
2PX2610		2PX2630				81,8	94,5	Less than 2,5
2PX2910		2PX2930				81,8	94,5	Less than 2,5

NOTES



▲ WARNING



Some dust created by power sanding, sawing, grinding, drilling, and other construction activities contains chemicals known to cause cancer, birth defects or other reproductive harm.

▲ WARNUNG



Der durch Elektrosanden, -sägen, -schleifen und -bohren sowie durch andere Bauarbeiten anfallende Staub enthält Chemikalien, die nachweislich Krebs sowie Geburts- bzw. andere Fortpflanzungsschäden hervorrufen.

▲ ADVERTENCIA



El polvo generado al lijar, aserrar, afilar, taladrar y realizar otras tareas de construcción contiene compuestos químicos que podrían provocar cáncer, malformaciones congénitas y otras alteraciones del aparato reproductor.

▲ ATTENZIONE



La polvere generata da carteggiatura, segatura, smerigliatura, trapanatura con attrezzi elettrici e simili attività può contenere sostanze chimiche che causano cancro, difetti congeniti o altri danni all'apparato riproduttivo.

▲ AVERTISSEMENT



Les poussières produites par les travaux de ponçage, sciage, meulage, perçage et autres activités du bâtiment contiennent des substances chimiques aux propriétés réputées pour provoquer le cancer, des malformations de naissance et d'autre nuisances à l'égard des fonctions de la reproduction.

▲ OPGEPAST



Tijdens het zandstralen, zagen, slijpen, boren en bij andere bouwactiviteiten komen er scheikundige stoffen vrij die kankerverwekkend zijn en die bij pasgeborenen misvormingen veroorzaken of die andere vruchtbaarheidsstoornissen kunnen veroorzaken.

▲ VARNING



Somligt damm som skapas vid användning av verktyg för sandning, sågning, slipning, borring samt andra aktiviteter innehåller kemikalier som är kända för att orsaka cancer, fosterskador och andra skador vid fortplantning.

**SIoux
TOOLS INC.**

250 SNAP-ON DRIVE ■ PO BOX 1596 ■ MURPHY, NC 28906 ■ USA ■

Printed In U.S.A.

This pdf incorporates the following model numbers:

2L1200TH

2L1201Q

2L1600TH

2L1940M6

2L2100B12

2L2100B12BSP

2L2105Q

2L2108QTC

2L2200B12

2L2200B12BSP

2L2205Q

2L2305Q

2L2500B12

2L2500B12BSP

2L2605Q