



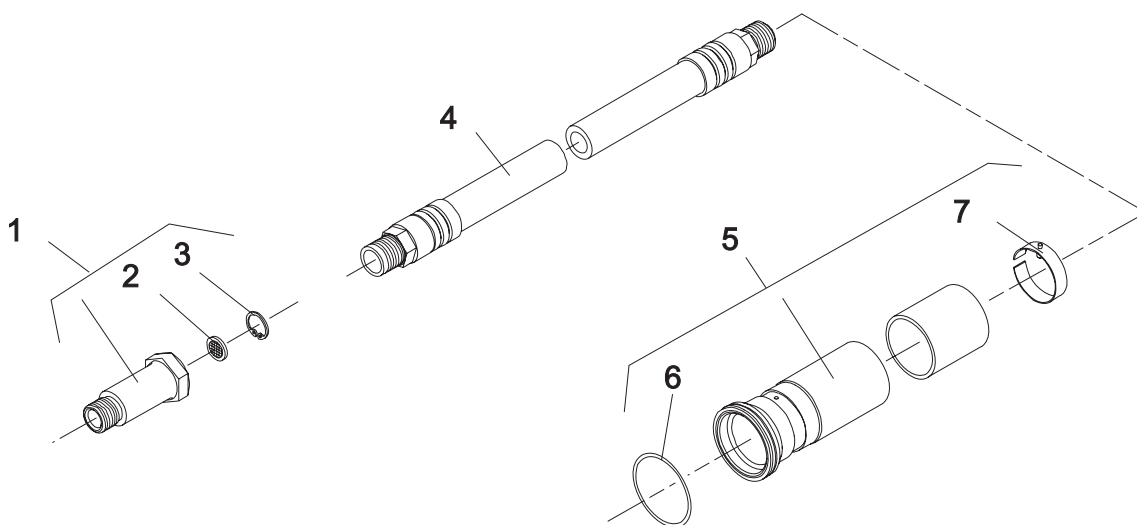
INSTRUCTIONS FOR 3303 REMOTE EXHAUST KIT (2S SERIES)

Form Z543
Date 1-02/B
Page 1 of 2

KIT INCLUDES:

Fig. Part

No.	No.	Description
1.	53942	Adapter-Intake
2.	30463	Screen
3.	21541	Ring-Retainer
4.	1359	Air Hose
5.	1365	Exhaust Tube
6.	14371	Ring-"O"
7.	43210	Ass'y-Spring Clip



INSTALLATION INSTRUCTION:

- Remove any air couplers or air hoses attached to tool.
- Remove air intake adapter on rear of tool and pull exhaust diffuser out of tool. This intake adapter and exhaust diffuser with silencing material inside will not be used with remote exhaust.
- Tighten intake adapter (1) into back of housing.
- Install air hose (4) in intake adapter.
- Install exhaust tube (5) over air hose.
- Lift spring clip (7) and push exhaust tube into back of tool until it bottoms, then release spring clip.

SIoux TOOLS INC.

250 SNAP-ON DRIVE ■ PO BOX 1596 ■ MURPHY, NC 28906 ■ USA ■

Printed In U.S.A.



▲ WARNING



Some dust created by power sanding, sawing, grinding, drilling, and other construction activities contains chemicals known to cause cancer, birth defects or other reproductive harm.

▲ ADVERTENCIA



El polvo generado al lijar, aserrar, afilar, taladrar y realizar otras tareas de construcción contiene sustancias químicas que podrían causar cáncer, malformaciones congénitas y otras alteraciones del aparato reproductor.

**SIoux
TOOLS INC.**

250 SNAP-ON DRIVE ■ PO BOX 1596 ■ MURPHY, NC 28906 ■ USA ■

Printed In U.S.A.