

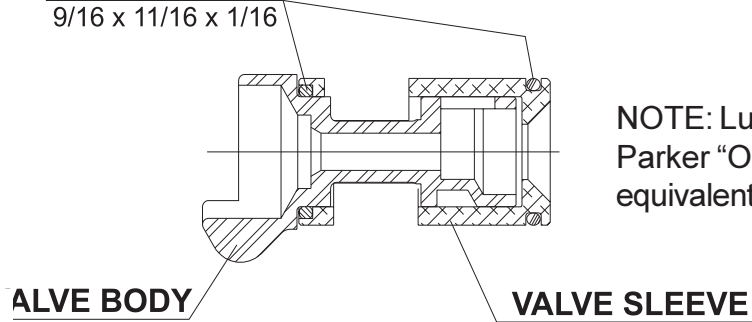


# INSTRUCTIONS FOR 65227 VALVE SLEEVE AND BODY

Form No. Z250A  
Date 7-93

14378

9/16 x 11/16 x 1/16



NOTE: Lube "O" Rings with  
Parker "O" Ring Lube or  
equivalent

**SIoux  
TOOLS INC.**

250 SNAP-ON DRIVE ■ PO BOX 1596 ■ MURPHY, NC 28906 ■ USA ■

Printed in U.S.A.

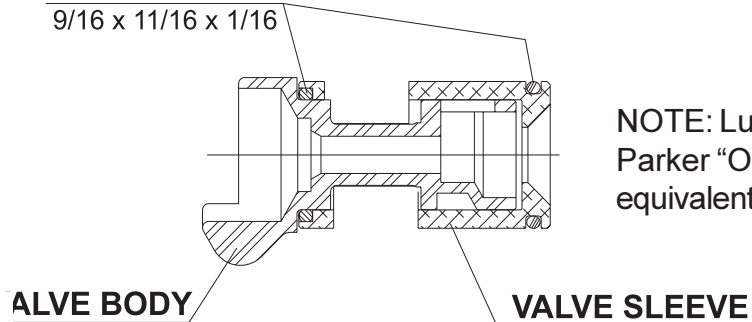


# INSTRUCTIONS FOR 65227 VALVE SLEEVE AND BODY

Form No. Z250A  
Date 7-93

14378

9/16 x 11/16 x 1/16



NOTE: Lube "O" Rings with  
Parker "O" Ring Lube or  
equivalent

**SIoux  
TOOLS INC.**

250 SNAP-ON DRIVE ■ PO BOX 1596 ■ MURPHY, NC 28906 ■ USA ■

Printed in U.S.A.

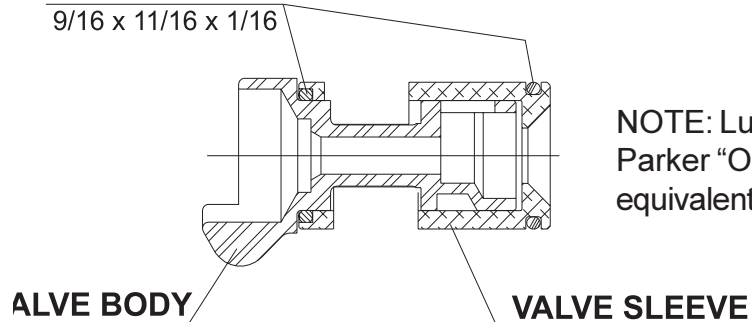


# INSTRUCTIONS FOR 65227 VALVE SLEEVE AND BODY

Form No. Z250A  
Date 7-93

14378

9/16 x 11/16 x 1/16



NOTE: Lube "O" Rings with  
Parker "O" Ring Lube or  
equivalent

**SIoux  
TOOLS INC.**

250 SNAP-ON DRIVE ■ PO BOX 1596 ■ MURPHY, NC 28906 ■ USA ■

Printed in U.S.A.