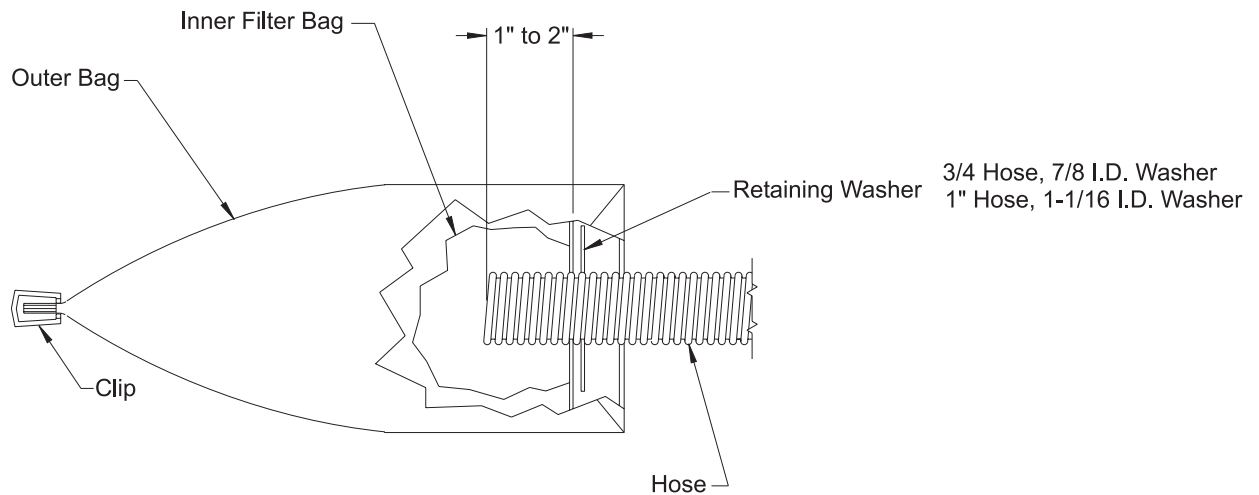




# INSTRUCTIONS FOR 911A DISPOSABLE FILTER BAG SYSTEM



- 1) Insert hose into outer bag.
- 2) Insert hose through retaining washer 1" to 2".
- 3) Tear paper tab from over hole in filter bag.
- 4) Insert hose 1" to 2" into filter bag and install filter bag into outer bag.
- 5) Pull hose through outer bag until washer is flush with front of outer bag.
- 6) Fold end of outer bag closed and secure with clip.

FOR MOST EFFICIENT OPERATION,  
REPLACE FILTER BAG  
WHEN IT IS FROM 1/2 TO 2/3 FULL.

**SIoux  
TOOLS INC.**

This pdf incorporates the following model numbers:

690VV