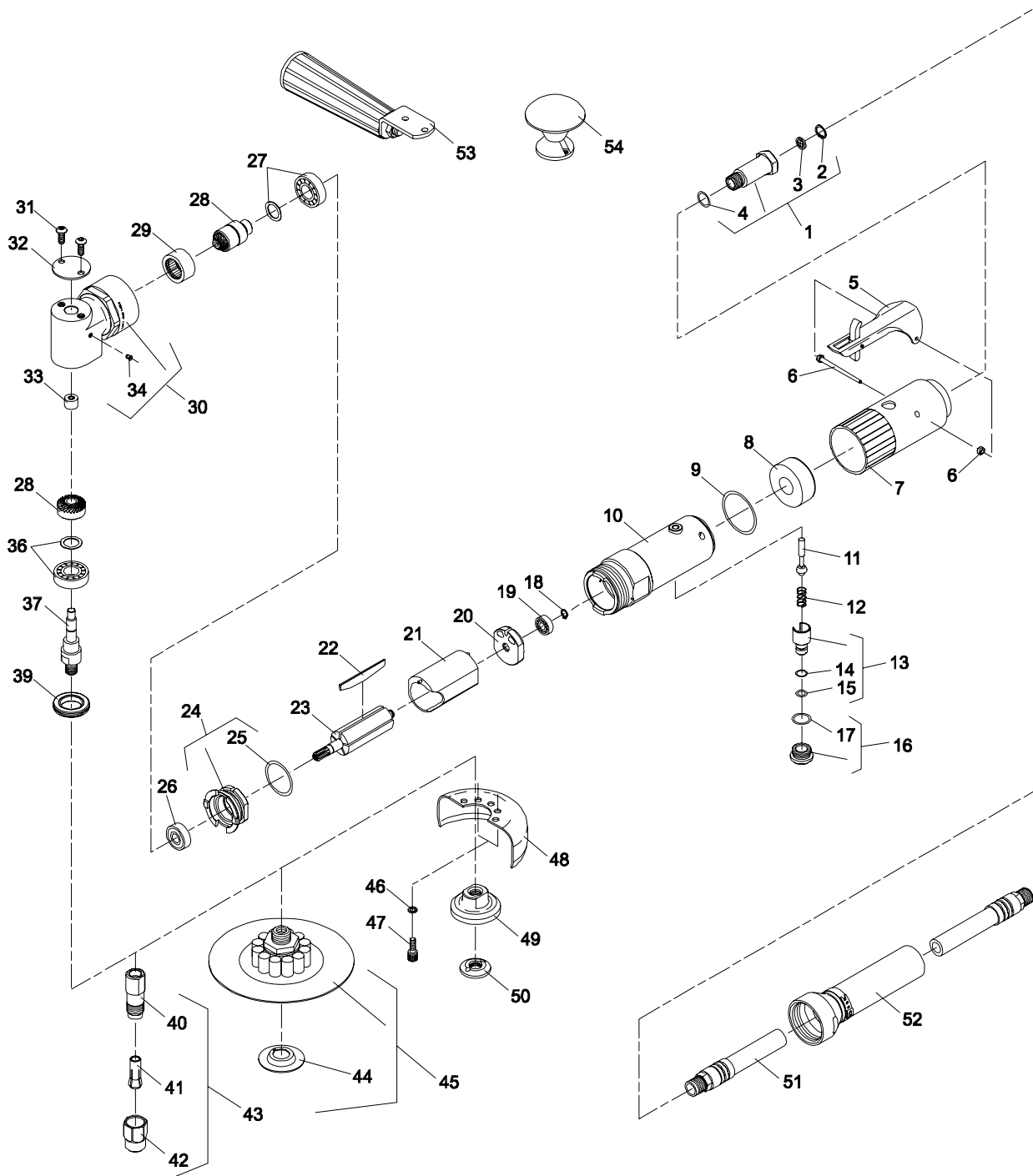




**PARTS LIST FOR PARTS LIST FOR**  
**1964 RIGHT ANGLE DIE GRINDER—18000RPM**  
**1965 RIGHT ANGLE SANDER—5"—12000RPM**  
**1965-5/8 RIGHT ANGLE SANDER—5"—12000RPM**  
**1966 RIGHT ANGLE GRINDER—3"—18000RPM**  
**1967 RIGHT ANGLE GRINDER—4"—12000RPM**  
**1968 RIGHT ANGLE GRINDER—4 1/2"—12000RPM**  
**(SERIAL "E")**

Form A752F  
Date 2006March7/C  
Page 1 of 2



**SIoux**  
**TOOLS INC.**

250 SNAP-ON DRIVE ■ PO BOX 1596 ■ MURPHY, NC 28906 ■ USA ■

Printed In U.S.A.



**PARTS LIST FOR PARTS LIST FOR  
 1964 RIGHT ANGLE DIE GRINDER—18000RPM  
 1965 RIGHT ANGLE SANDER—5"—12000RPM  
 1965-5/8 RIGHT ANGLE SANDER—5"—12000RPM  
 1966 RIGHT ANGLE GRINDER—3"—18000RPM  
 1967 RIGHT ANGLE GRINDER—4"—12000RPM  
 1968 RIGHT ANGLE GRINDER—4 1/2"—12000RPM  
 (SERIAL "E")**

<b>Fig. No.</b>	<b>Part No.</b>	<b>Description</b>
1.	54837	Adaptor—Intake
2.	21541	Ring—Retaining
3.	30463	Screen
4.	14312	Ring—"O"
5.	63258	Ass'y—Lever
6.	66344	Ass'y—Pin
7.	04042	Cover—Housing
8.	40116	Material—Exhaust
9.	14333	Ring—"O"
10.	64036	Housing
11.	63241	Ass'y—Valve
12.	21427	Spring
13.	54843	Speed—Control
14.	14290	Ring—"O"
15.	14291	Ring—"O"
16.	54844	Retainer—Speed Control
17.	14309	Ring—"O"
18.	21491	Ring—Retaining
19.	10230	Bearing—Ball
20.	10552	End Plate—Rear
21.	64057	Cylinder (18000 RPM)
	65916	Cylinder (12000 RPM)
22.	63192	Vane (Set of 5)
23.	54861	Rotor
24.	65335	End Plate—Front
25.	14342	Ring—"O"
26.	10220	Bearing—Ball
27.	63234	Bearing & Spacer (Pinion)
28.	19736	Gear Set
29.	10081	Bearing—Caged Needle Roller
30.	65388	Ass'y—Angle Head (Incl. Figs. 29, 33 & 34)
31.	07097	Screw—Button Hd. Socket (#10-24 x 1/2")(2)*
32.	35708	Cover
33.	10082	Bearing—Caged Needle Roller
34.	30375	Fitting—Grease
36.	65860	Ass'y—Bearing & Spacer (Gear)
37.	65961	Spindle—Output (1963, 1964, 1965)
	65962	Spindle—Output (1966, 1967)
	65963	Spindle—Output (1968)
	66286	Spindle—Output (1965-5/8)

<b>Fig. No.</b>	<b>Part No.</b>	<b>Description</b>
39.	44776	Retainer—Bearing
40.	21096	Body—Collet (1963, 1964)
41.	44440	Collet—1/4" (1963, 1964)
42.	21097	Nut—Collet (1963, 1964)
43.	43340	Chuck—1/4" Collet Complete (1963, 1964)
44.	563	Nut—Disk Retaining (Package of 6)(1965)
	562	Nut—Disk Retaining (5/8-11)(1965-5/8)
45.	2344	Pad—Backing [Incl. (1) Fig. 44](1965)
	2364	Disk Backing 5" (5/8-11)(1965-5/8)
46.	09724	Washer—Lock (1966, 1967, 1968)(2)*
47.	07095	Screw—Socket Hd. Cap Screw (#10-24 x 1/2") (1966, 1967, 1968)(2)*
48.	2346	3" Wheel Guard [Incl. (2) Fig. 46 & 47](1966)
	2347	4" Wheel Guard [Incl. (2) Fig. 46 & 47](1967)
	2341	4 1/2" Wheel Guard [Incl. (2) Fig. 46 & 47](1968)
49.	54958	Hub—Grinding Wheel (1966, 1967)
	65747	Flange—Inner (1968)
50.	54959	Retainer—Grinding Wheel (1966, 1967)
	65748	Flange—Outer (1968)
51.	1376	Hose—Leader Remote Exhaust
52.	63355	Ass'y—Exhaust Hose
53.	2357	Handle—Auxiliary Not Furnished With 1963, 1964
54.	2359	Knob—Auxiliary Not Furnished With Tool

**Not Shown**

30465	Wrench—9/16" (1963, 1964, 1965)
30466	Wrench—11/16" (1963, 1964)
30505	Wrench—5/8" (1966, 1967, 1968)
35545	Wrench—Spanner (1966, 1967)
30506	Wrench—Allen 3/16 (1965-5/8)
68015	Wrench—Spanner (1965-5/8, 1968)

**Complete Assembly**

65956	Ass'y—Angle Head Complete (1966, 1967)
65957	Ass'y—Angle Head Complete (1963, 1964, 1965)
66348	Ass'y—Angle Head Complete (1968)
66349	Ass'y—Angle Head Complete (1965-5/8)

\*Order Quantity As Required

**FURNISH CATALOG, SERIAL, AND MODEL NUMBER WHEN ORDERING PARTS**

**SIoux TOOLS INC.**

250 SNAP-ON DRIVE ■ PO BOX 1596 ■ MURPHY, NC 28906 ■ USA ■

Printed In U.S.A.

This pdf incorporates the following model numbers:

AG1963