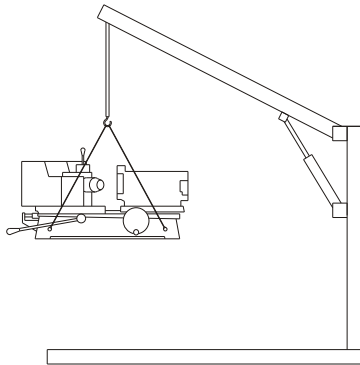




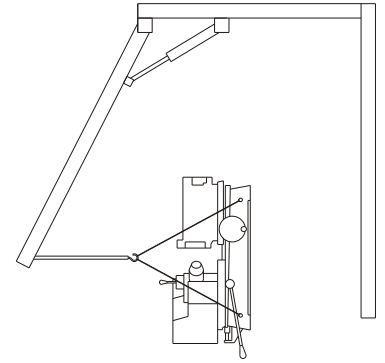
Form No. A605
Date 12-95

This machine weighs 300 lbs. A lifting harness is enclosed to remove the machine from the carton. You will need a hoist to use the harness. Attach the hoist to the re-inforced "X" in the center of the sling. Lift the machine carefully to avoid personal injury or damage to the unit.



Printed in U.S.A.

Form No. A605
Date 12-95



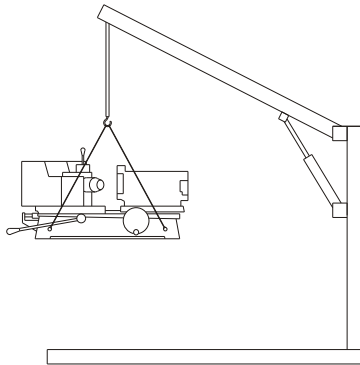
Printed in U.S.A.

This machine weighs 300 lbs. A lifting harness is enclosed to remove the machine from the carton. You will need a hoist to use the harness. Attach the hoist to the re-inforced "X" in the center of the sling. Lift the machine carefully to avoid personal injury or damage to the unit.



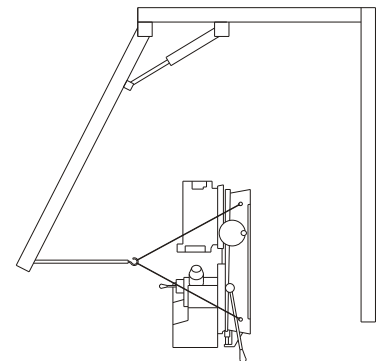
Form No. A605
Date 12-95

This machine weighs 300 lbs. A lifting harness is enclosed to remove the machine from the carton. You will need a hoist to use the harness. Attach the hoist to the re-inforced "X" in the center of the sling. Lift the machine carefully to avoid personal injury or damage to the unit.



Printed in U.S.A.

Form No. A605
Date 12-95



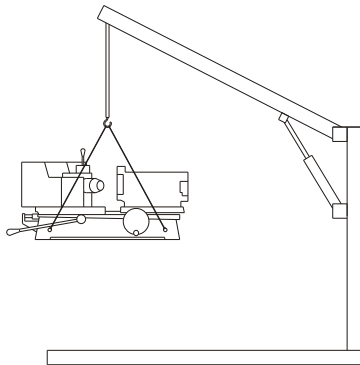
Printed in U.S.A.

This machine weighs 300 lbs. A lifting harness is enclosed to remove the machine from the carton. You will need a hoist to use the harness. Attach the hoist to the re-inforced "X" in the center of the sling. Lift the machine carefully to avoid personal injury or damage to the unit.



Form No. A605
Date 12-95

This machine weighs 300 lbs. A lifting harness is enclosed to remove the machine from the carton. You will need a hoist to use the harness. Attach the hoist to the re-inforced "X" in the center of the sling. Lift the machine carefully to avoid personal injury or damage to the unit.



Printed in U.S.A.