



**SIoux
TOOLS INC.**

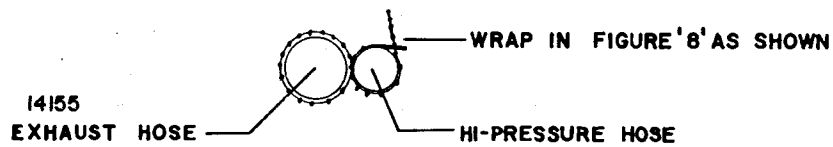
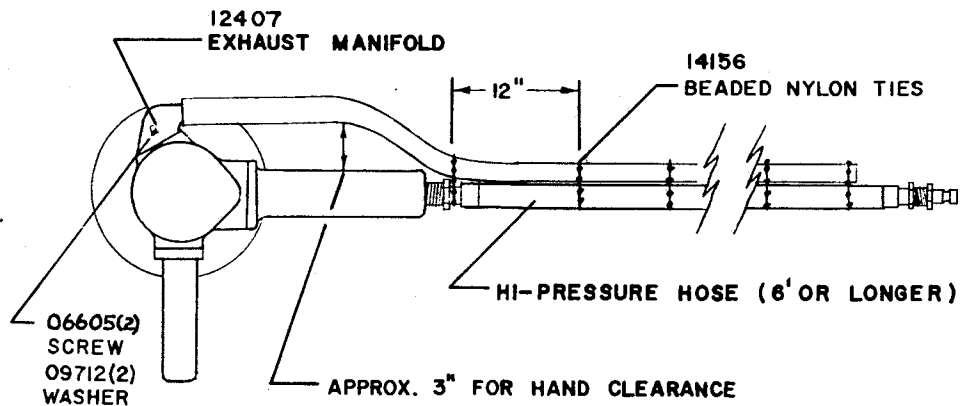
2901 FLOYD BOULEVARD ■ SIOUX CITY, IOWA 51102 ■

Form A565
Dated 12-77

Instructions for Attaching Remote Exhaust to V Series Grinder

This remote exhaust attachment should be connected to the V-Grinder as shown below. There are two screws near the tool outlet that must be removed first to expose the tapped holes. If your grinder does not have tapped holes, see the enclosed instructions for drilling these holes.

Be sure to allow room for the operators hand when installing the hose. Extra ties have been enclosed for your convenience.



To attach a #53881 Remote Exhaust or #53882 Muffler to a V-Series Grinder, which does not have mounting holes, the holes shown below must be drilled.

Extreme care should be taken when drilling these holes so that metal chips do not enter the tool. A heavy grease applied to the drill and tap will help prevent this.

