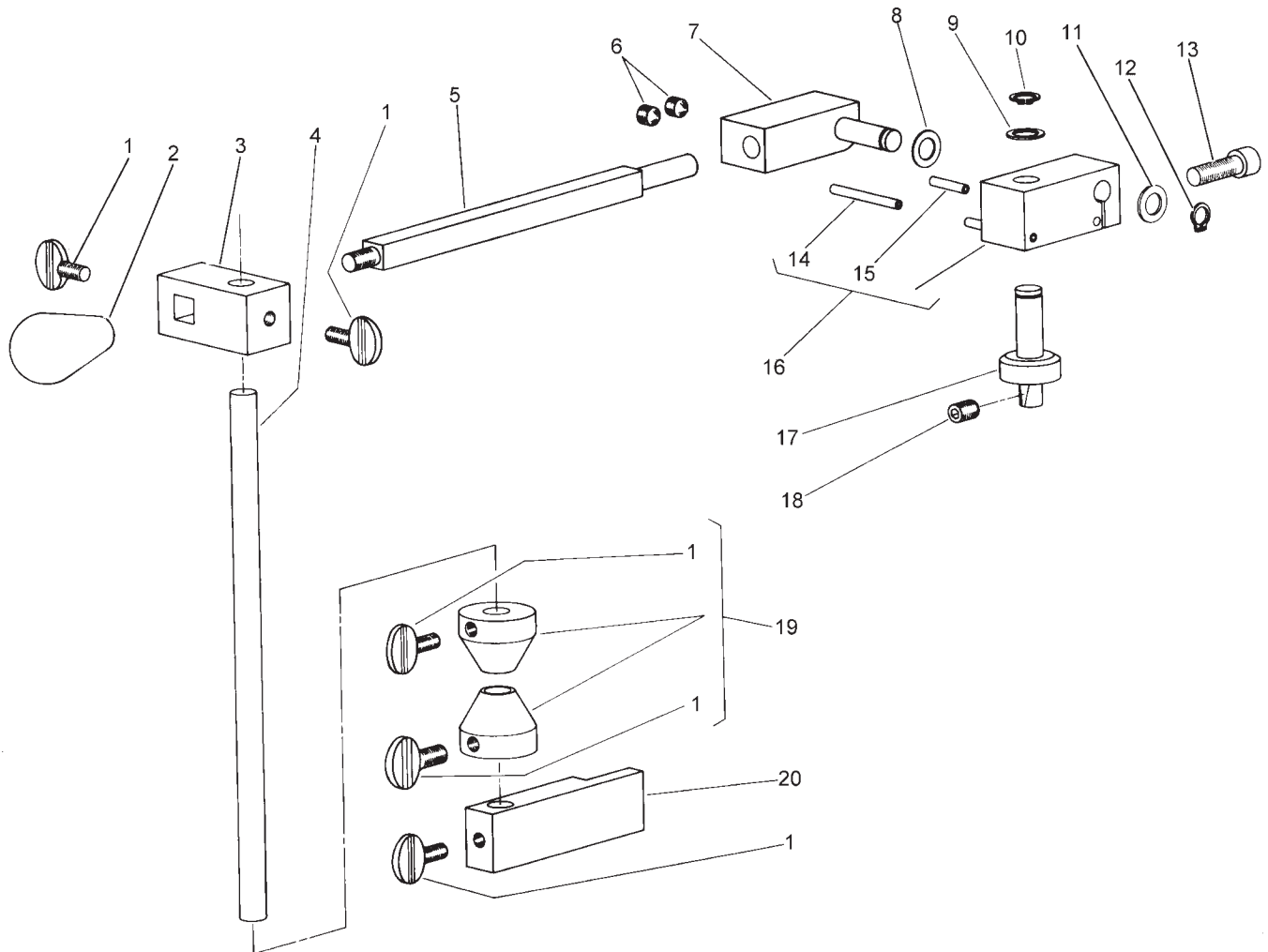




PARTS LIST FOR NO. 656G ROCKER ARM ATTACHMENT



| Fig. No. | Part No. | Description |
|----------|----------|-------------------------------|
| 1. | 08236 | Screw—Thumb 1/4-20 x 1/2 (5)* |
| 2. | 04006 | Ball—Grip |
| 3. | 54044 | Holder—Arbor |
| 4. | 54046 | Arbor—Cone |
| 5. | 54045 | Arm—Radius |
| 6. | 08577 | Screw—5/16-24 x 3/8 (2)* |
| 7. | 54043 | Base—Radius Arm |
| 8. | 25286 | Washer |
| 9. | 35228 | Washer |
| 10. | 21761 | Ring—Retaining |
| 11. | 25680 | Washer |

| Fig. No. | Part No. | Description |
|----------|----------|-------------------------|
| 12. | 21481 | Ring—Retaining |
| 13. | 08836 | Screw—5/16-18 x 1 |
| 14. | 30748 | Pin—Roll |
| 15. | 30651 | Pin—Roll |
| 16. | 54042 | Block—Swivel |
| 17. | 53047 | Ass'y—Pivot Post & Base |
| 18. | 08598 | Screw—5/16-18 x 3/8 |
| 19. | 53790 | Ass'y—Collars |
| 20. | 54048 | Gage—Alignment |

*Order Quantity As Required

Furnish Catalog Number When Ordering Parts

SIoux TOOLS INC.

250 SNAP-ON DRIVE ■ PO BOX 1596 ■ MURPHY, NC 28906 ■ USA ■

Printed In U.S.A.