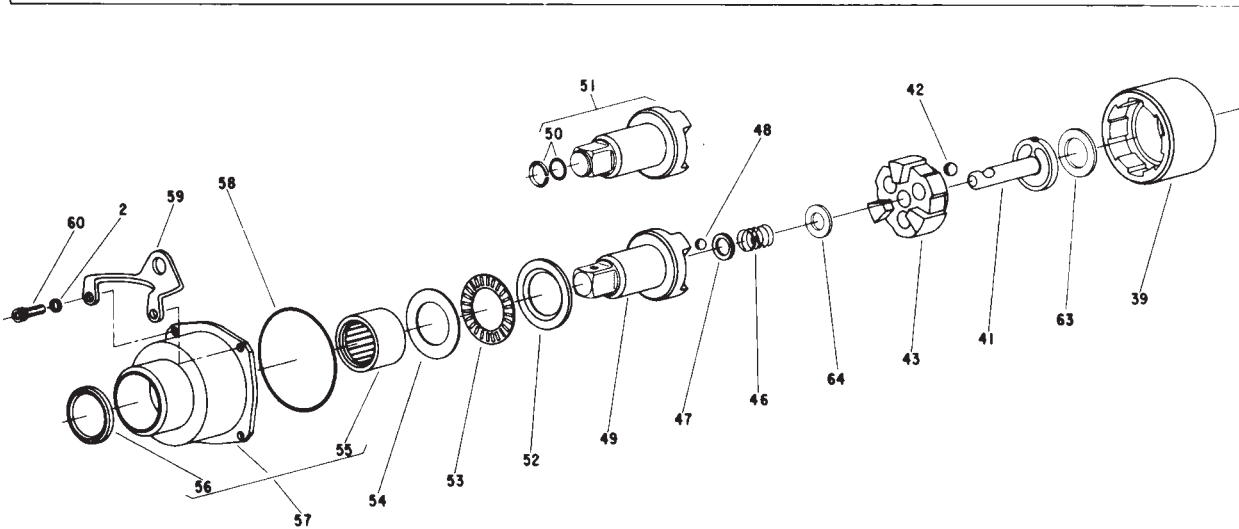
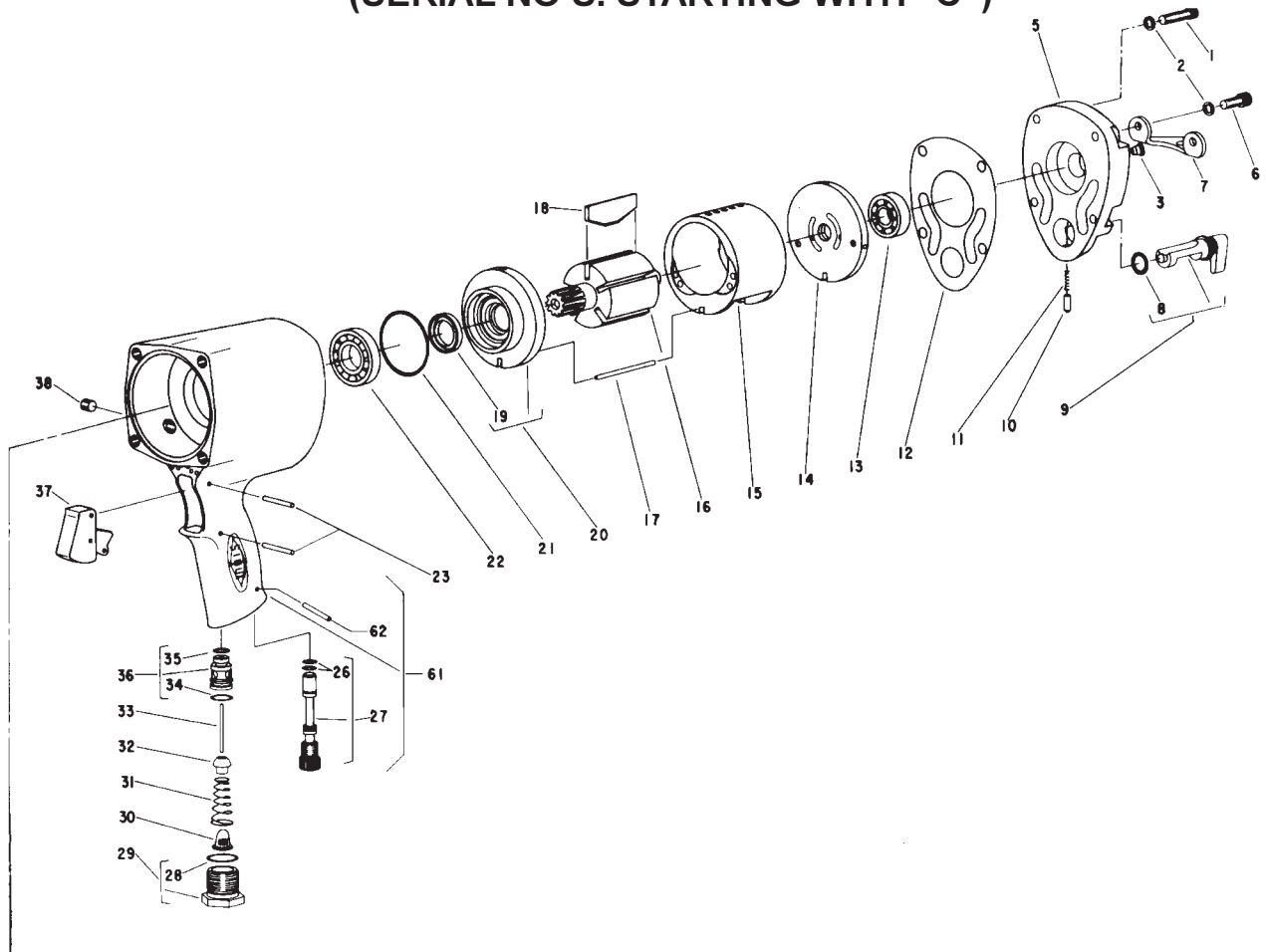




PARTS LIST FOR 4038, 4038-1, 4039, & 4040 AIR IMPACT WRENCHES (SERIAL NO'S. STARTING WITH "C")



SIoux TOOLS INC.

250 SNAP-ON DRIVE ■ PO BOX 1596 ■ MURPHY, NC 28906 ■ USA ■

Printed In U.S.A.



PARTS LIST FOR 4038, 4038-1, 4039, & 4040 AIR IMPACT WRENCHES (SERIAL NO'S. STARTING WITH "C")

Fig. Part

No.	No.	Description
1.	08288	Screw—Soc. Hd. Cap (4)*
2.	09753	Washer—Lock (10)*
3.	30356	Fitting—Grease
5.	12357	Cap—Back (Includes Fig. 3)
6.	08229	Screw—Soc. Hd. Cap (2)*
7.	35374	Bail—Vertical
8.	14312	Ring—"O"
9.	53619	Ass'y—Reversing Valve
10.	54445	Pin—Detent
11.	41297	Spring
12.	05011	Gasket
13.	10251	Bearing—Ball
14.	11416	End Plate—Rear
15.	54456	Cylinder
16.	54455	Rotor
	13264	Plug—Rotor (5)*
17.	54449	Pin—Guide
18.	53605	Vane—Rotor (Set of 5)
19.	30740	Seal—Oil
20.	11415	End Plate—Front
21.	04206	Ring—"O"
22.	10167	Bearing—Ball
23.	30347	Roller—Torr. (2)*
26.	14291	Ring—"O" (2)*
27.	53098	Ass'y—Regulator
28.	04216	Ring—"O"
29.	53607	Ass'y—Adapter & "O" Ring
30.	33993	Ass'y—Air Screw
31.	21413	Spring—Valve
32.	14372	Valve
33.	54464	Rod—Valve
34.	14309	Ring—"O"
35.	14311	Ring—"O"

Fig. Part

No.	No.	Description
36.	53606	Ass'y—Valve Body & "O" Ring
37.	33967	Ass'y—Trigger
38.	30246	Plug—Pipe (Used on Some Early Models)
39.	54460	Hammer
41.	54457	Cam
42.	10305	Ball—Steel 3/8" Dia.
43.	54458	Hammer—Auxiliary
46.	41281	Spring
47.	25921	Washer—Thrust
48.	10322	Ball—Steel 5/16" Dia.
49.	54475	Anvil—3/4" Sq. (4038)
	54476	Anvil—3/4" Sq. (4040)
	64178	Anvil—1" Sq. (4038-1)
50.	53608	Ass'y—Soc. Retainer & "O" Ring (4039)
51.	53582	Ass'y—Anvil & Friction Lock (4039)
	53583	Ass'y—Anvil & Friction Lock (4040E)
52.	54453	Washer
53.	10057	Bearing—Needle Thrust
54.	10064	Race—Thrust
55.	10062	Bearing—Needle
56.	30733	Seal—Oil
57.	53591	Ass'y—Hammer Case
58.	04249	Ring—"O"
59.	35356	Bail—Horizontal
60.	08229	Screw—Soc. Hd. Cap (4)*
61.	53584	Ass'y—Regulator & Housing
62.	30625	Pin—Groove
63.	54542	Washer
64.	54539	Washer
	30741	Seal—Oil (Used on Earlier Models)

*Order Quantity As Needed

Furnish Catalog And Serial Number When Ordering Parts

**SIoux
TOOLS INC.**

250 SNAP-ON DRIVE ■ PO BOX 1596 ■ MURPHY, NC 28906 ■ USA ■