



**PARTS LIST FOR**  
**No. 1290 AIR SANDER (5000 R.P.M.)**  
**No. 1291 AIR GRINDER (5000 R.P.M.)**  
**No. 1292 AIR POLISHER (3000 R.P.M.)**  
**No. 1296 AIR POLISHER (2000 R.P.M.)**  
**No. 1297 AIR SANDER (3000 R.P.M.)**

Form A367B  
 Date 2003 November 19/B  
 Page 1 of 2

**(Includes Remote Exhaust)**  
**Serial No.'s Starting With "B"**

<b>Fig. No.</b>	<b>Part No.</b>	<b>Description</b>	<b>Fig. No.</b>	<b>Part No.</b>	<b>Description</b>
1.	44100	Bushing—Reducing		21524	Ring—Retainer (1292, 1296, 1297)
2.	21417	Spring	32.	54728	Key—Gear Case
3.	30462*	Screen	34.	19240	Case—Gear
4.	54306	Handle	35.	04239	Ring—"O"
5.	41217	Spring	36.	04223	Ring—"O"
6.	04205	Valve	37.	53525	Ass'y—Air Deflector (Standard Exhaust)
7.	54308	Stem—Valve		63166	Ass'y—Remote Exhaust
8.	12431	Housing	38.	14124	Liner—Air Deflector (Standard Exhaust)
9.	53373	Ass'y—Lever & Cam	39.	44798	Sleeve—Lock
10.	21491	Ring—Retaining	40.	10244	Bearing—Ball
11.	21534	Ring—Retaining	41.	54727	Spacer
12.	10241	Bearing—Ball		35320	Wrench
13.	14794	Gasket	43.	14171	Handle—Auxiliary
14.	13227	Plate—Rear End	45.	542	Retainer—Backing Disc (1290, 1297)
15.	44869	Cylinder (1290, 1291, 1292, 1296, 1297)	46.	524	Nut—Lock (1290, 1297)
16.	43888	Ass'y—Rotor Vanes (Set of 5)	47.	544	Ass'y—Sanding Disc Holder (1290, 1297)
17.	54676	Rotor (1290, 1291)	48.	548	Pad—Disc (1290, 1297V)
	54675	Rotor (1292, 1297)	49.	08775	Screw (5/16")(2)*(1291)
	44870	Rotor (1296)		09770	Washer—Lock 5/16" (2)*(1291)
18.	13226	Plate—Front End	51.	2336	Guard—7" (1291)
19.	10221	Bearing—Ball	52.	25894	Washer (2)*(1291)
20.	41236	Washer—Wave	53.	512	Nut—Lock (1291)
21.	10203	Bearing—Ball	54.	30110	Wrench—Allen (1291)
22.	25976	Washer	55.	510	Pad—Backing (1291)
23.	30369	Pin—Torrington (2)*(1290, 1291)	56.	524	Nut—Lock (1292, 1296)
	30467	Pin—Torrington (2)*(1292, 1296, 1297)	57.	846-C	Ass'y—Polishing Disc (1292, 1296)
24.	19206	Gear—Pinion (1290, 1291)	58.	21804	Ring—Retaining
25.	19325	Ass'y—Gear ( Bearing (2)*(1290, 1291)			
	19324	Ass'y—Gear & Bearing (2)*(1292, 1297)			
	19327	Ass'y—Gear & Bearing (2)*(1296)			
27.	30356	Fitting—Grease			
28.	65825	Spindle (1290, 1291)			
	54733	Spindle (1292, 1297)			
	54729	Spindle (1296)			
29.	35260	Washer			
30.	21753	Ring—Retainer (1290, 1291)			

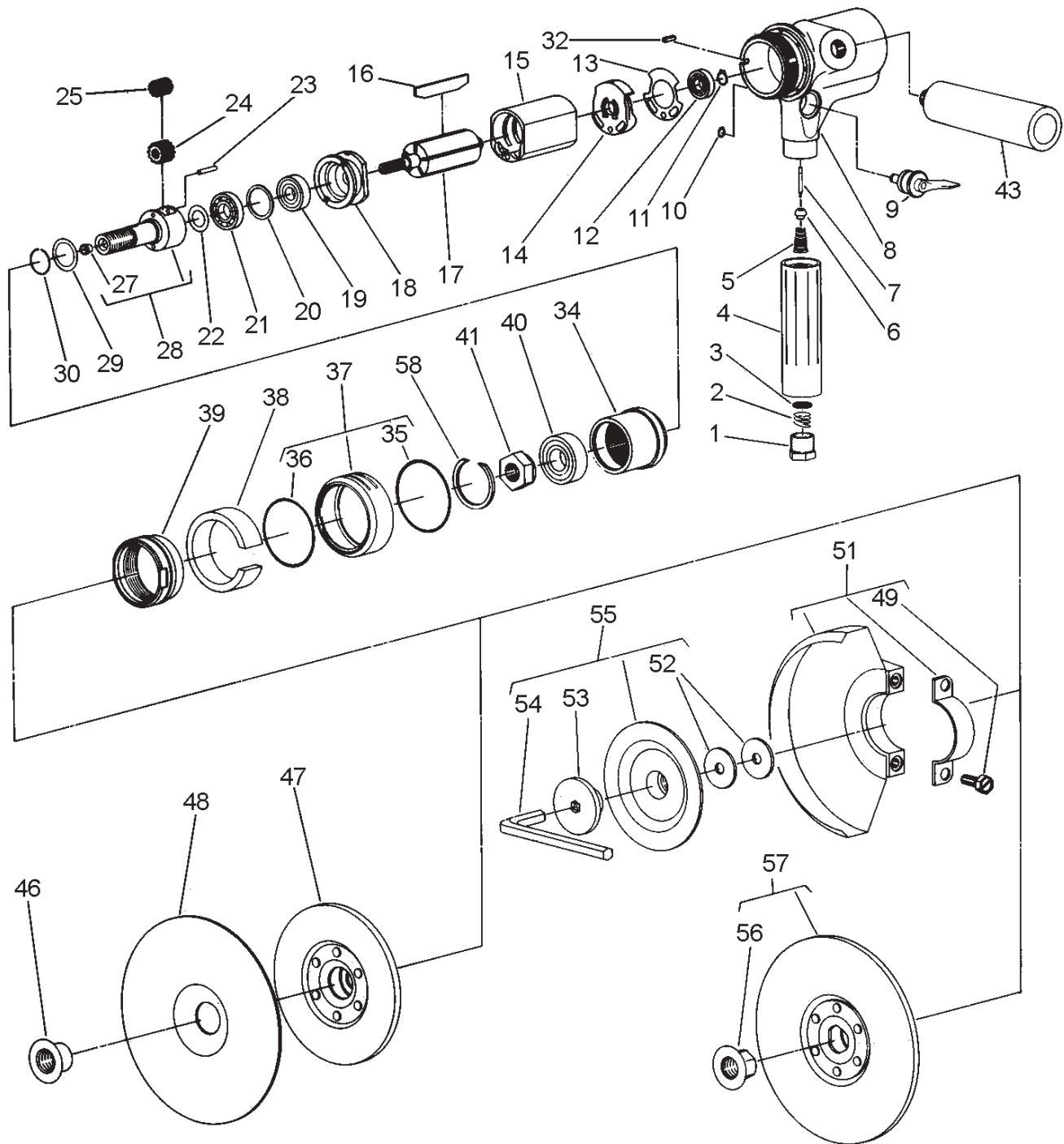
\*Order Quantity As Required

**FURNISH CATALOG, SERIAL, AND MODEL NUMBER WHEN ORDERING PARTS**



250 SNAP-ON DRIVE ■ PO BOX 1596 ■ MURPHY, NC 28906 ■ USA ■

Printed In U.S.A.



**SIoux  
TOOLS INC.**

250 SNAP-ON DRIVE ■ PO BOX 1596 ■ MURPHY, NC 28906 ■ USA ■

Printed In U.S.A.