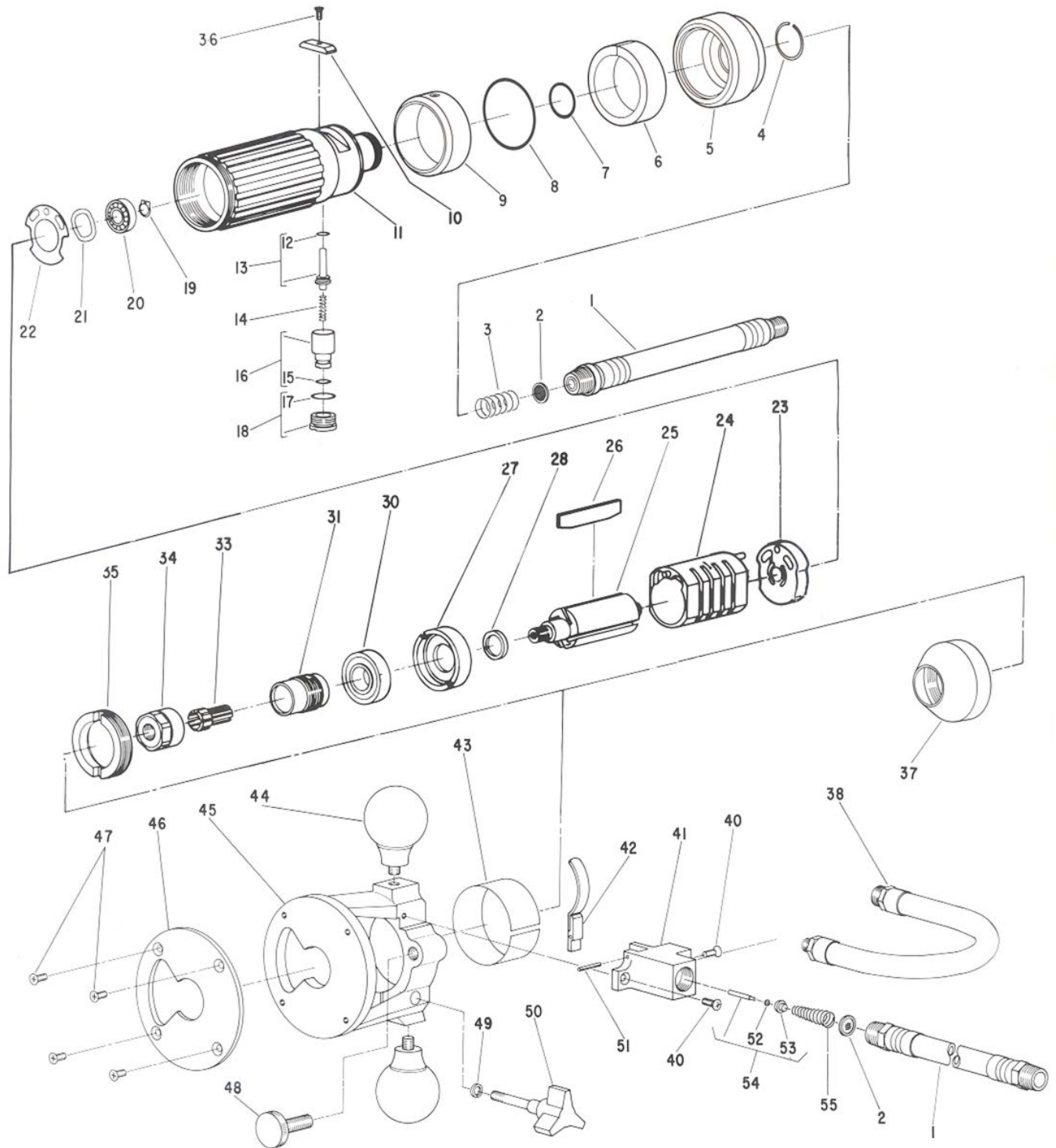




**PARTS LIST FOR
1980, 1980F, 1981, & 1981F ROUTERS
1985 DIE GRINDER
SERIAL "C"**

Form A346C
Date 2008July11/B
Page 1 of 2



**SIoux
TOOLS INC.**

250 SNAP-ON DRIVE ■ PO BOX 1596 ■ MURPHY, NC 28906 ■ USA ■ Phone: 800-722-7290 ■ www.siouxtools.com

Printed In U.S.A.



**PARTS LIST FOR
1980, 1980F, 1981, & 1981F ROUTERS
1985 DIE GRINDER
SERIAL "C"**

Fig Part

No	No	Description
1.	53370	Hose Assembly (6' Long)
2.	30462	Screen
3.	21385	Spring
4.	21776	Retaining Ring
5.	54265	Silencer
6.	14114	Silencer Pad
7.	14391	"O" Ring
8.	14336	"O" Ring
9.	54273	Valve Operator
10.	54274	Cam
11.	53474	Router Housing Assembly (Includes Figures 7 & 8)
12.	14291	"O" Ring
13.	53360	Valve and "O" Ring Assembly
14.	21315	Spring
15.	14311	"O" Ring
16.	53361	Speed Control & "O" Ring Assembly
17.	14378	"O" Ring
18.	53362	Retainer & "O" Ring Assembly
19.	21534	Retaining Ring
20.	10241	Ball Bearing
21.	41226	Wave Washer
22.	14794	Gasket
23.	13227	Rear End Plate
24.	44869	Cylinder
25.	54865	Rotor
26.	53363	Rotor Vane Assembly (Set of 4)
27.	13316	Front End Plate
28.	54866	Rotor Spacer
30.	10940	Ball Bearing
31.	21135	Collet Chuck Body-Erickson
33.	21125	Collet—Erickson (3/8")(1980, 1980F, 1985A)
	21126	Collet—Erickson (1/4")(1985)
	21124	Collet—Erickson (1/2")(1981, 1981F)
34.	21138	Locknut—Erickson
35.	54264	Retainer
36.	06198	Screw—Oval Hd. (#6-32 X 5/16)
37.	54868	Nosepiece (1985)
38.	63331	Air Line (1980F, 1981F)
40.	06466	Screw—Oval Hd. C'Sunk (#8-32 x 1/2)(2)* (1980F, 1981F)

Fig Part

No	No	Description
41.	54772	Valve Block (1980F, 1981F)
	30349	Groove Pin (3/32 x 7/8)
42.	63075	Lever Assembly (1980F, 1981F)
43.	30700	Sleeve (1980, 1980F, 1981, 1981F)
44.	14020	Knob (2)*(1980, 1980F, 1981, 1981F)
45.	12373	Router Base (1980, 1980F, 1981, 1981F)
46.	14113	Sub Plate (1980, 1980F, 1981, 1981F)
47.	06436	Screw—Phil. Flat Hd. (#8-32 x 5/16)(2)* (1980, 1980F, 1981, 1981F)
48.	54301	Stop (1980, 1980F, 1981, 1981F)
49.	09750	Lock Washer (1/4")(1980, 1980F, 1981, 1981F)
50.	53341	Clamping Screw Assembly (1980, 1980F, 1981, 1981)
51.	30349	Roll Pin
52.	25957	Washer (1980F, 1981F)
53.	04205	Valve (1980F, 1981F)
54.	63076	Valve Assembly (1980F, 1981F)
55.	21346	Spring (1980F, 1981F)

Not Shown:

25480	Wrench (7/8" Opening)(2)*
40149	Wrench (1-1/16" Opening)
63261	Complete Chuck Assembly (3/8")(1980, 1980F, &1985A)(Includes Figures 31, 33, & 34)
63260	Complete Chuck Assembly (1/4")(1985) (Includes Figures 31, 33, & 34)
63262	Complete Chuck Assembly (1/2")(1981) (Includes Figures 31, 33, & 34)
53385	Router Base Assembly (1980, 1980F, 1981) (Includes Figures 43 thru 50)

*Order Quantity As Required

**FURNISH CATALOG, SERIAL, AND MODEL NUMBER
WHEN ORDERING PARTS**

**SIoux
TOOLS INC.**

250 SNAP-ON DRIVE ■ PO BOX 1596 ■ MURPHY, NC 28906 ■ USA ■ Phone: 800-722-7290 ■ www.siouxtools.com

Printed In U.S.A.

This pdf incorporates the following model numbers:

1980A

1982A

RT1981

RT1985