

SIoux

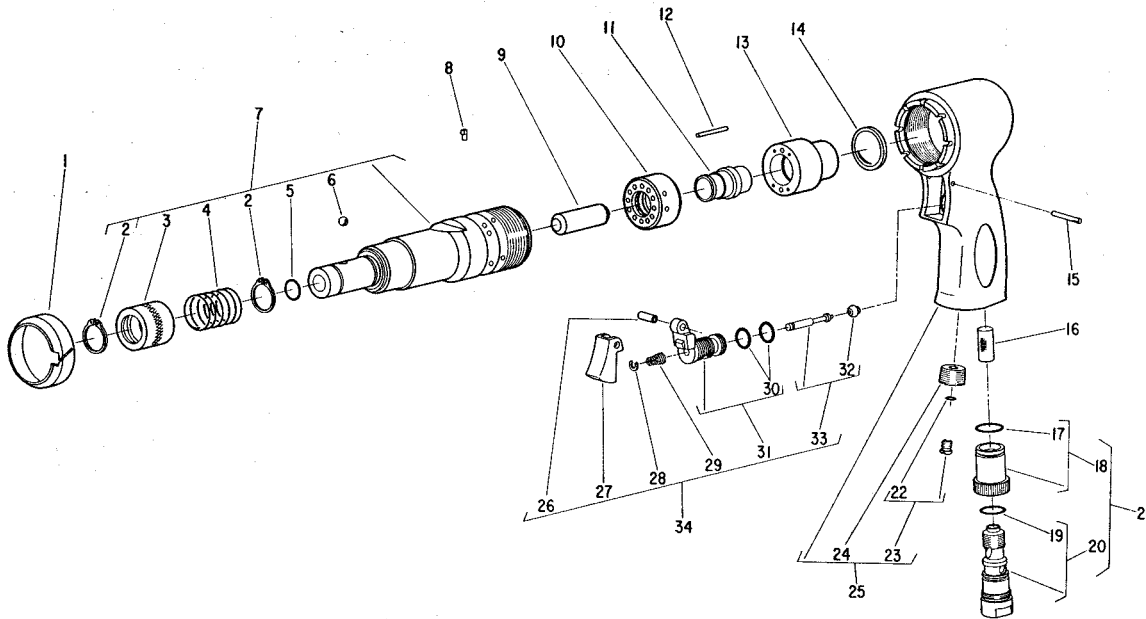


TOOLS

Parts List for No. 271 PIERCING PUNCH

(ALL SERIAL NO'S. ENDING WITH "H")

Furnish Catalog and Serial Number When Ordering Parts



| Fig- ure | Part No. | Name | Fig- ure | Part No. | Name |
|-------------|-------------|--------------------------------------|-------------|-------------|--|
| 1 | 30385 | Deflector—Exhaust | 19 | 14378 | Ring—"O" |
| 2 | 21490 | Ring—Retainer (2) | 20 | 53048 | Ass'y.—Regulator Body & "O" Ring |
| 3 | 44314 | Collar | 21 | 53002 | Ass'y.—Regulator |
| 4 | 21425 | Spring | 22 | 14369 | Ring—"O" |
| 5 | 14290 | Ring—"O" | 23 | 43553 | Ass'y.—Oiler Screw |
| 6 | 10299 | Ball—Steel (2) | 24 | 44755 | Insert—Oiler |
| 7 | 43037 | Ass'y.—Barrel & Punch Retainer | 25 | 43663 | Handle (Malleable Iron) 43719 Handle (Aluminum) (Incl's. replacement for Fig's. 14 thru 34) |
| 8 | 30391 | Pin—Barrel Lock | 26 | 44754 | Bushing |
| 9 | 30386 | Plunger | 27 | 14087 | Trigger |
| 10 | 30387 | Cylinder—Front End | 28 | 21542 | Retainer |
| 11 | 30389 | Sleeve—Cylinder | 29 | 21401 | Spring |
| 12 | 30347 | Pin | 30 | 14312 | Ring—"O" (2) |
| 13 | 30388 | Cylinder—Back Air | 31 | 53258 | Ass'y.—Valve Body & "O" Rings |
| 14 | 35116 | Washer (Use with Aluminum Handle) | 32 | 14325 | Valve |
| 15 | 30613 | Pin | 33 | 53039 | Ass'y.—Valve |
| 16 | 30593 | Screen—Air | 34 | 53183 | Ass'y.—Throttle Valve |
| 17 | 14281 | Ring—"O" | | | |
| 18 | 53049 | Ass'y.—Regulator & "O" Ring | | | |

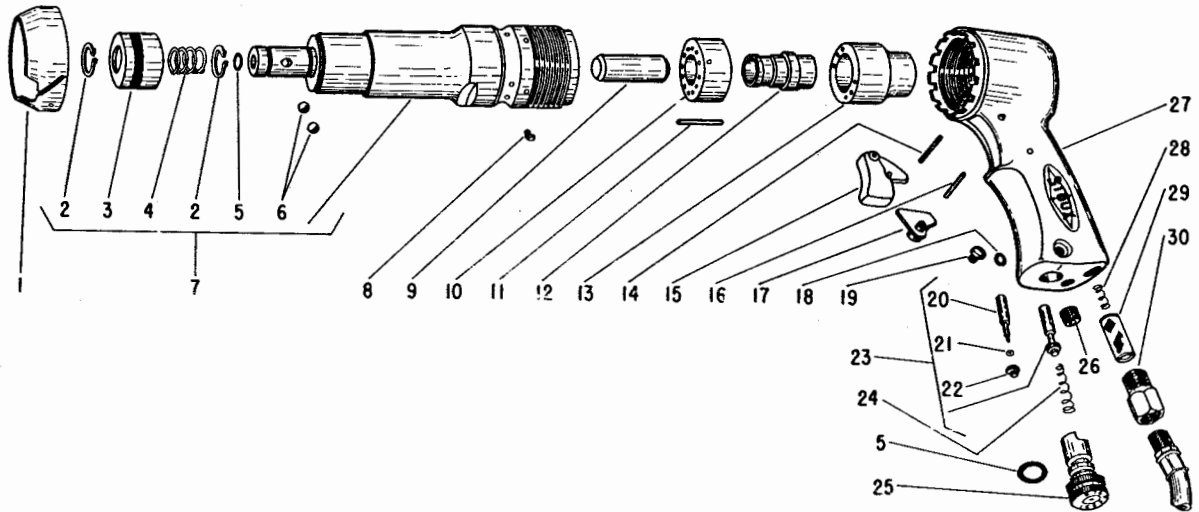
SIoux TOOLS INC.
SIoux CITY, IOWA, U.S.A. 51102

SIoux**TOOLS**

Parts List for No. 271

PIERCING PUNCH

Furnish Catalog, Serial and Model Number When Ordering Parts



| Fig- ure | Part No. | Name | Fig- ure | Part No. | Name |
|-------------|-------------|-----------------------------------|-------------|-------------|--|
| 1 | 30385 | Deflector—Exhaust | 18 | 14308 | Ring—"O" |
| 2 | 21490 | Ring—Retainer (2) | 19 | 07219 | Screw—Retainer |
| 3 | 44314 | Collar | 20 | 34917 | Plunger—Throttle Valve |
| 4 | 21425 | Spring | 21 | 25957 | Washer |
| 5 | 14290 | Ring—"O" (2) | 22 | 14325 | Valve—Rubber |
| 6 | 10299 | Ball—Steel (2) | 23 | 33576 | Ass'm.—Valve |
| 7 | 43057 | Ass'm.—Barrel & Punch Retainer | 24 | 21382 | Spring—Throttle Valve |
| 8 | 30391 | Pin—Barrel Lock | 25 | 13120 | Regulator—Air |
| 9 | 30386 | Plunger | 26 | 30246 | Plug—Pipe |
| 10 | 30387 | Cylinder—Front Air | 27 | 43551 | Housing (Malleable Iron) (Includes Fig. 14 thru 30) |
| 11 | 30390 | Pin—Cylinder Lock | | 43719 | Housing (Aluminum) (Includes Fig. 14 thru 30) |
| 12 | 30389 | Sleeve—Cylinder | | 35116 | Washer—Spring (Use with Aluminum Handle) |
| 13 | 30388 | Cylinder—Back Air | 28 | 21305 | Spring—Air Screen |
| 14 | 30325 | Pin—Groove | 29 | 30248 | Screen—Air |
| 15 | 33146 | Trigger | 30 | 30249 | Connection—Air Hose |
| 16 | 30251 | Pin—Groove | | | |
| 17 | 33176 | Lever | | | |

SIoux TOOLS INC.

SIoux CITY, IOWA, U.S.A. 51102

PRINTED
IN
U.S.A.